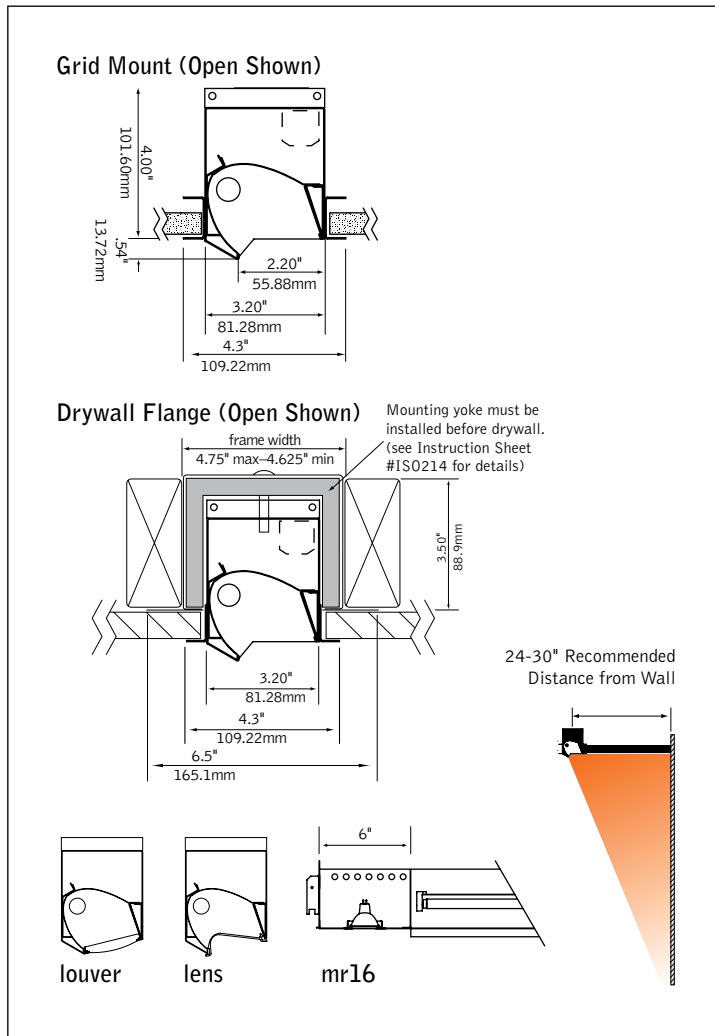


DIMENSIONAL DATA



FEATURES

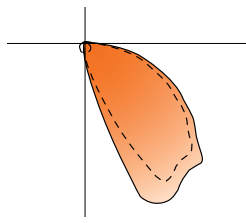
Narrow aperture T5/T5HO fluorescent wall wash with 2-MR16 halogen lamps (50w max).

Precision micro-optic delivers shadow free fluorescent illumination from the ceiling to the floor.

Features 2" narrow aperture for clean unobtrusive aesthetic.

Great solution for conference rooms, highlighting artwork, corridors, or any application that requires high levels of vertical illumination using both fluorescent and halogen lamp sources.

PERFORMANCE



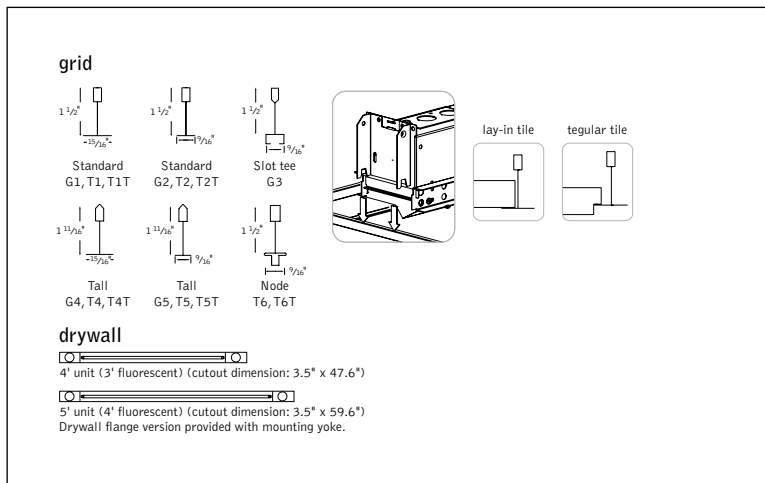
PRODUCT OVERVIEW

Lumen Output: 548-4004lm
 Wattage: 56-191W
 Lamping: T5, T5HO, MR16

1-Lamp T5HO
 57% Efficient
 1933 cd @ 25'

Visit focalpointlights.com for complete photometric data.

MOUNTING INFORMATION



SPECIFICATIONS

Construction

One-piece 20 Ga. steel housing. 20 Ga., steel MR16 housing and faceplate. Two-piece, 20 Ga. spun steel MR16 assembly available in flush mount or with extended yoke. Grid luminaires include 20 Ga. steel, .5" wide flange rail finished in matte satin white. Drywall flange option is provided with 20 Ga. steel, .5" wide flange kit and 20 Ga. galvanized steel mounting yoke. 4' unit weight: 7 lbs., 5' unit weight: 10 lbs.

Optic

.020" specular aluminum upper reflector and .020" semi-specular lower reflector. 24 Ga. perforated matte black diffuser with 24% opening. Cut-off louver: .375" H x 1" frequency fabricated of 24 Ga. steel. Cut-off louver painted Matte Satin White as standard. Perforated diffuser always Matte Black. Clear lens: .060" thick clear acrylic. MR16 lens: .125" thick tempered clear glass supplied.

Electrical

Luminaires are individually wired for specified circuits. Thru-wiring not available. Electronic ballasts are thermally protected and have a Class "P" rating. Electronic 12V, MR16 dimming transformer, 50w max each. Optional dimming ballasts available. Consult factory for dimming specifications and availability. Thermal protector included.

Labels

UL listed for non-insulated ceiling applications only.

Finish

Polyester powder coat applied over a 5-stage pre-treatment. Perforated diffuser always finished in Matte Black. Cut-off louver painted Matte Satin White as standard. MR16 gimbal finished to match housing.

ORDERING

Luminaire Series	FAVA
Avenue A	FAVA
Shielding	
No Shielding, Open Optic	NS
Radial Cut-Off Louver (Louver always painted white)	RL
Snap-on Clear Lens (Note: shielding options are not interchangeable in the field)	CL
Lamping (MR16 lamps provided by others)	
One Lamp T5	1T5
One Lamp T5HO	1T5HO
Circuits (Fluor. switched separately from incand.)	2C
Voltage	
120 Volt	120
277 Volt	277
Ballast	
Electronic Program Start <10% THD	S
0-10V	D7
Lutron 1% 3-wire	DH
Lutron 1% H-Series	DK
Ceiling Configurations*	
Drywall Flange	F
Std. 15/16" Lay-in	G1
Std. 15/16" Tegular	T1
Std. 15/16" Tegular, against Tee	T1T
Std. 9/16" Lay-in	G2
Std. 9/16" Tegular	T2
Std. 9/16" Tegular, against Tee	T2T
9/16" Slot-tee Tegular	G3
Tall 15/16" Lay-in	G4
Tall 15/16" Tegular	T4
Tall 15/16" Tegular, against Tee	T4T
Tall 9/16" Lay-in	G5
Tall 9/16" Tegular	T5
Tall 9/16" Tegular, against Tee	T5T
Node 9/16" Tegular	T6
Node 9/16" Tegular, against Tee	T6T
Factory Options	
Chicago Plenum (T5 only, 37W MR16 max)	CP
Emergency Battery Pack* (3' & 4' Luminaires Only)	EM
Positional Clips	EQ
6' New York City Flex Whip	FNY
6' Flex Whip	FW
HLR/GLR Fuse	FU
Include 3000K Lamp*	L830
Include 3500K Lamp*	L835
Include 4100K Lamp*	L841
Wattage Restriction Label (xx= wattage)	WRXX
mr16 (50W max.) lamp qty. & gimbal type (Clear lens supplied)	
Flush Mount	2FM
Extended Yoke Gimbal	2EG
mr16 Options	
Snoot	SN
Hex louver	HL
Linear Spread Lens	LSL
Prismatic Spread Lens	PSL
Sand Blasted Lens	SBL
Soft Focus Lens	SFL
Finish	
Matte White Housing	WH
Matte Black Housing	BK
Titanium Silver	TS
(Perforated diffuser always painted black)	
Luminaire Length	
4' Nominal Housing (3' fluor. lamp)	4'
5' Nominal Housing (4' fluor. lamp) (For row mount in drywall ceiling, specify luminaire run length, ie 24')	5'

Avenue® A

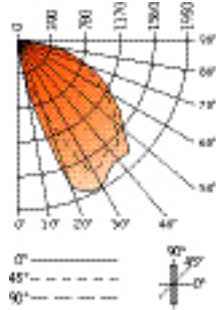
FLUORESCENT - OPEN OPTIC

FAVA-NS-1T5HO-1C-120-S-G-WH-4'

Filename: FAVANS1T5H.IES
Test #: 12355.0

Lumens: 2861lm
Efficiency: 57%

CANDELPWER DISTRIBUTION



Vertical Angle	Horizontal Angle				Zonal Lumens
	0°	22.5°	45°	67.5°	
0°	108	108	108	108	108
5°	276	256	214	154	101
15°	919	771	499	291	102
25°	1933	1873	1300	415	101
35°	1832	1799	1695	707	96
45°	1806	1775	1647	1296	88
55°	1434	1416	1329	1108	74
65°	1072	1052	962	811	56
75°	655	631	568	458	39
85°	317	294	224	129	14
90°	183	165	112	40	2
95°	0	0	0	0	0
105°	0	0	0	0	0
115°	0	0	0	0	0
125°	0	0	0	0	0
135°	0	0	0	0	0
145°	0	0	0	0	0
155°	0	0	0	0	0
165°	0	0	0	0	0
175°	0	0	0	0	0
180°	0	0	0	0	0

LUMEN SUMMARY

Zone	Lumens	% Lamp	% Fixture
0-30°	376	7.5	13.2
0-40°	784	15.7	27.4
0-60°	1975	39.5	69.0
0-90°	2861	57.2	100.0
Total Luminaire 0-180°	2861	57.2	100.0

Go to www.focalpointlights.com for additional photometric data.

Avenue® A

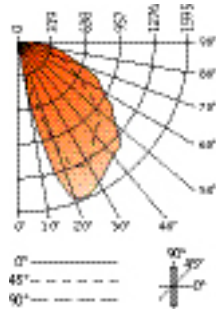
FLUORESCENT - LOUVER

FAVA-RL-1T5HO-1C-120-S-G1-WH-4'

Filename: FAVARL1T5H.IES
Test #: 12597.0

Lumens: 2032lm
Efficiency: 41%

CANDELPWER DISTRIBUTION



Vertical Angle	Horizontal Angle				Zonal Lumens
	0°	22.5°	45°	67.5°	
0°	120	120	120	120	120
5°	175	161	137	129	120
15°	1212	1043	556	187	121
25°	1581	1520	1301	404	137
35°	1457	1370	1228	774	144
45°	1354	1255	1070	835	131
55°	1077	952	783	582	118
65°	787	662	509	342	107
75°	441	360	244	119	66
85°	171	124	65	39	17
90°	67	51	13	0	0
95°	0	0	0	0	0
105°	0	0	0	0	0
115°	0	0	0	0	0
125°	0	0	0	0	0
135°	0	0	0	0	0
145°	0	0	0	0	0
155°	0	0	0	0	0
165°	0	0	0	0	0
175°	0	0	0	0	0
180°	0	0	0	0	0

LUMEN SUMMARY

Zone	Lumens	% Lamp	% Fixture
0-30°	365	7.3	17.9
0-40°	737	14.7	36.3
0-60°	1564	31.3	76.9
0-90°	2018	40.4	99.3
Total Luminaire 0-180°	2032	40.6	100.0

Go to www.focalpointlights.com for additional photometric data.

Avenue[®] A

FLUORESCENT GRID CEILING CONFIGURATIONS



FOCAL POINT[®]

Avenue A is configured at our factory to integrate easily with your specified grid type, tile style and fixture position. Please review the below options and choose the mounting code that matches your application.

