

# aerion®

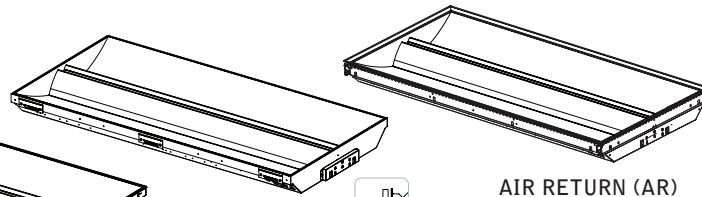
FAR 1x4 | 2x2 | 2x4



FOCAL POINT™

FOCAL POINT

FLAT TEE (G1, G2)



SLOT TEE (G3)



AIR RETURN (AR)

KEY



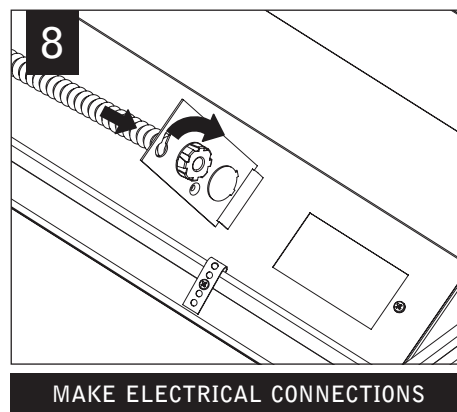
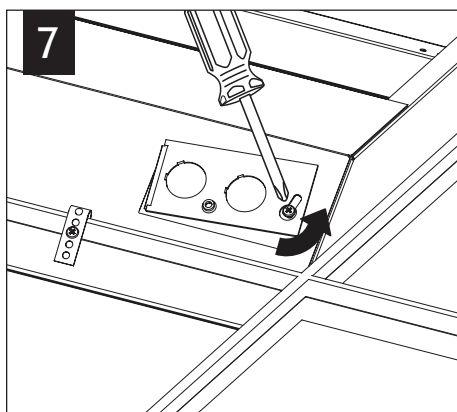
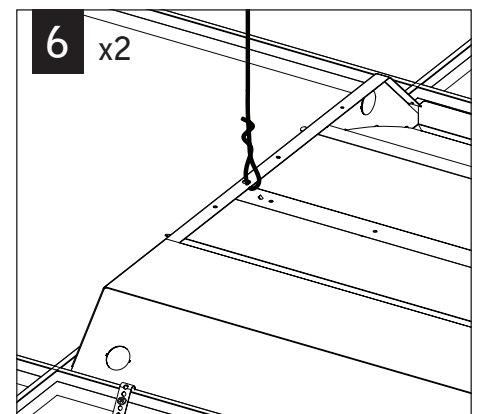
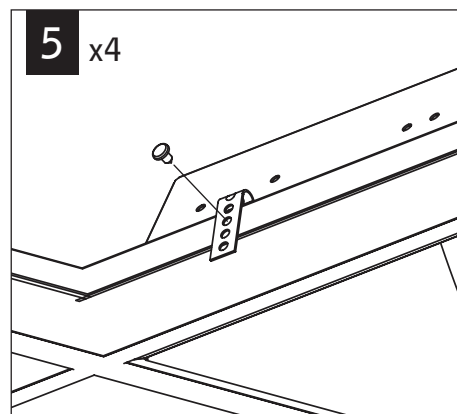
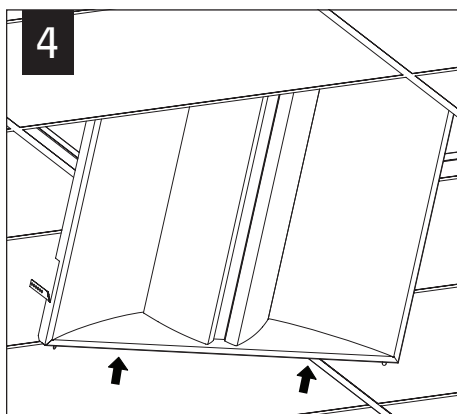
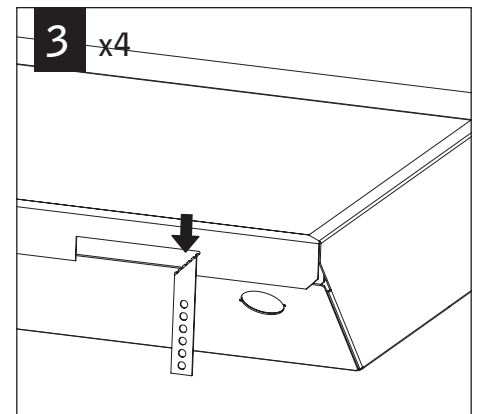
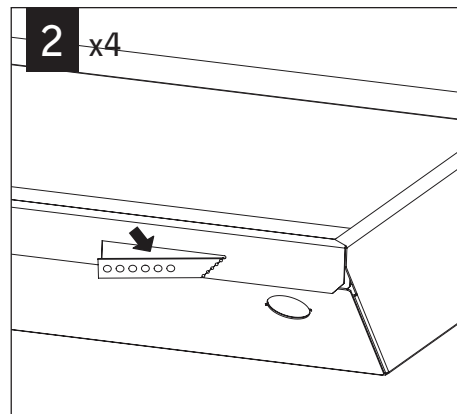
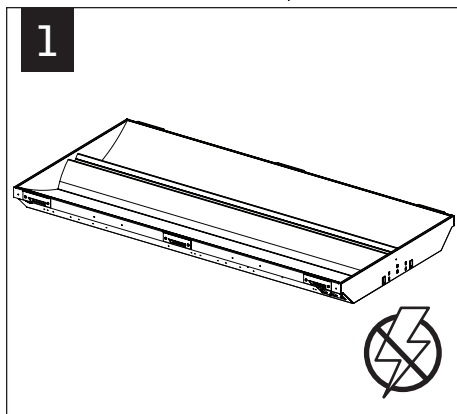
POWER OFF



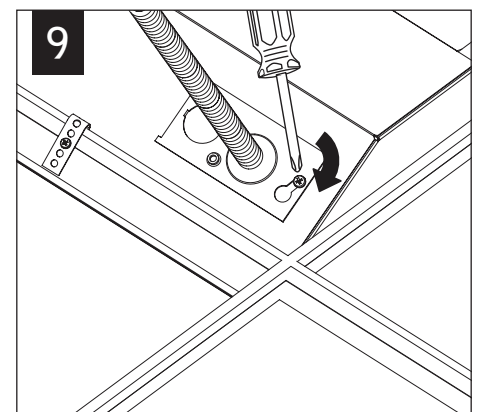
POWER ON



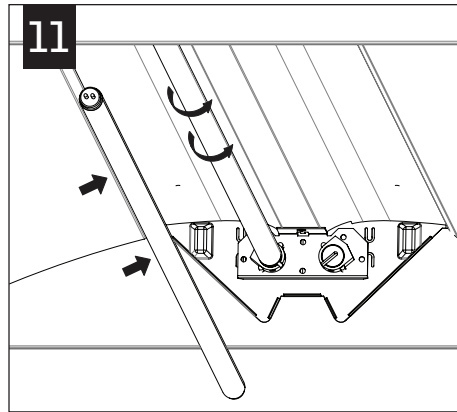
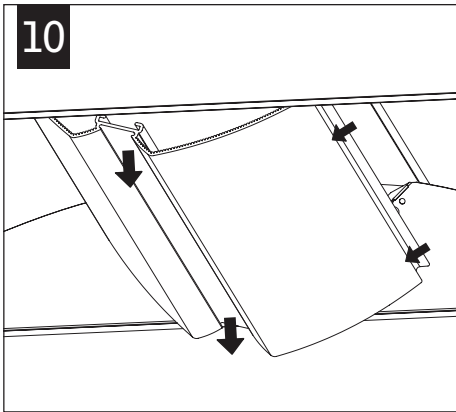
ATTENTION



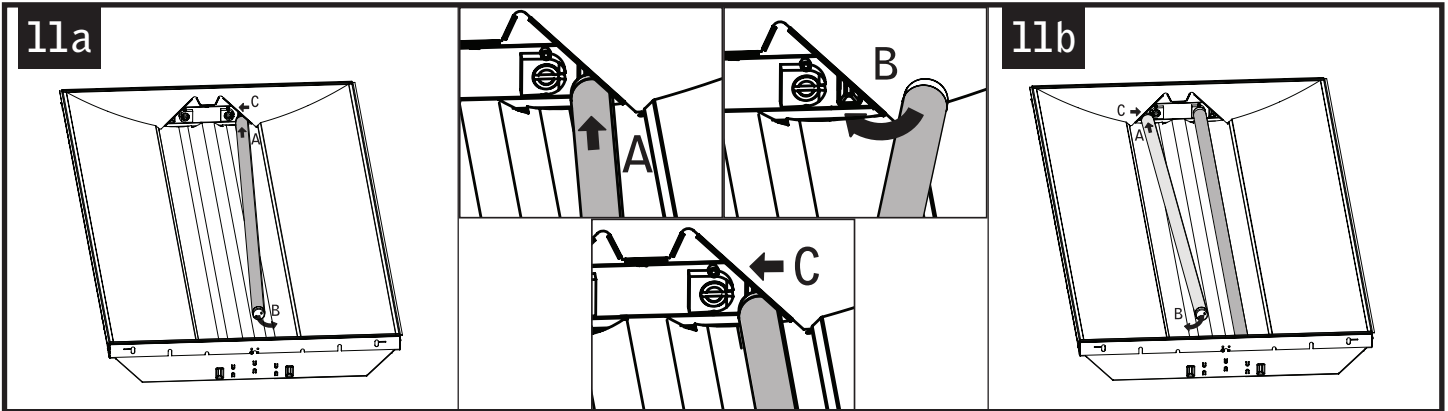
MAKE ELECTRICAL CONNECTIONS



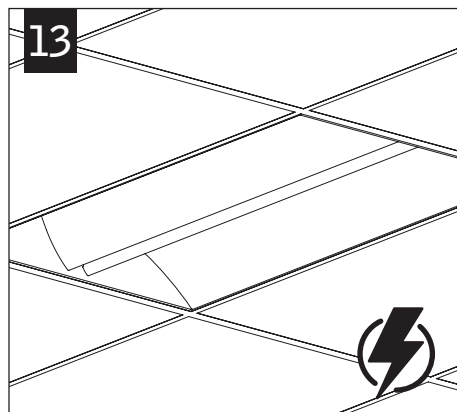
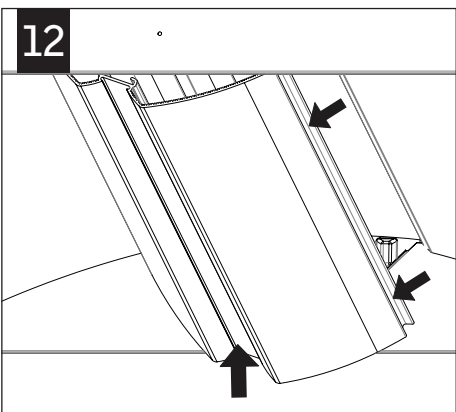
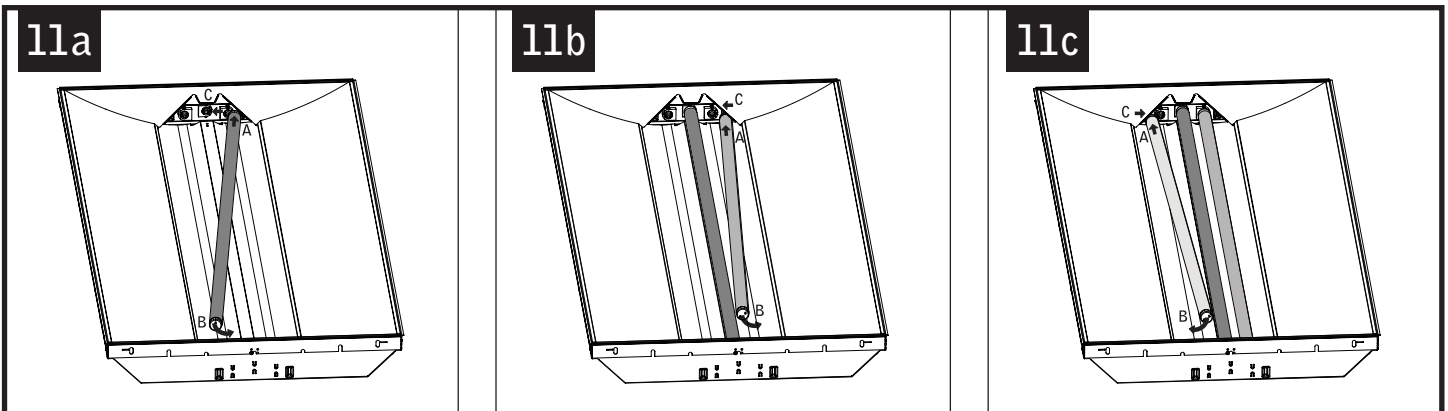
Luminaires must be installed by a qualified electrician (check with local and national codes for proper installation).  
To prevent electrical shock, disconnect electrical supply before installation or servicing.



**2 T8 LAMPING**

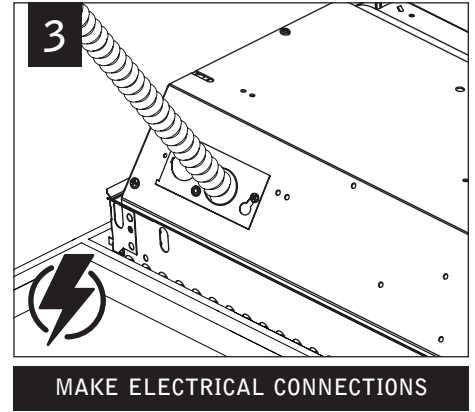
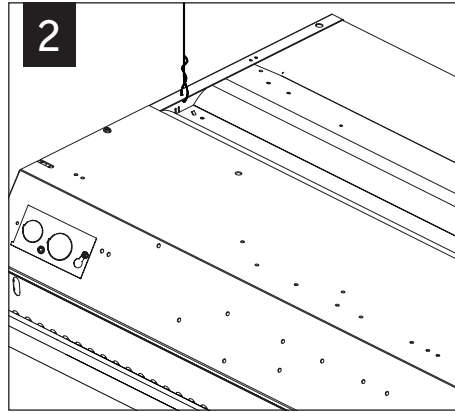
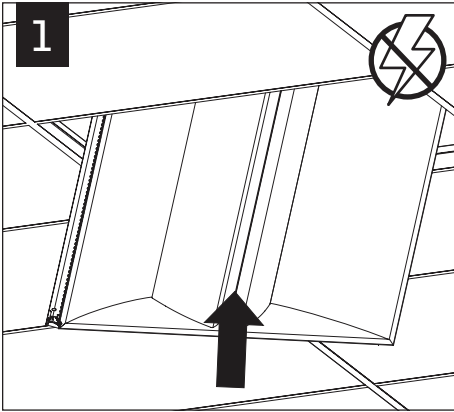


**3 T8 LAMPING**



Luminaires must be installed by a qualified electrician (check with local and national codes for proper installation).  
To prevent electrical shock, disconnect electrical supply before installation or servicing.

# AIR RETURN INSTALLATION



Contractor is responsible for adequately reinforcing walls and/or ceilings to support luminaire weight. Focal Point, LLC accepts no responsibility for inadequately reinforced walls and/or ceilings. The information contained in this drawing is the sole property of Focal Point, LLC. Any reproduction in part or whole without the written permission of Focal Point, LLC is prohibited.