



BEFORE YOU BEGIN

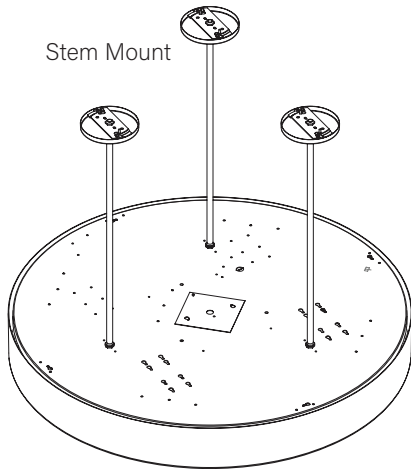
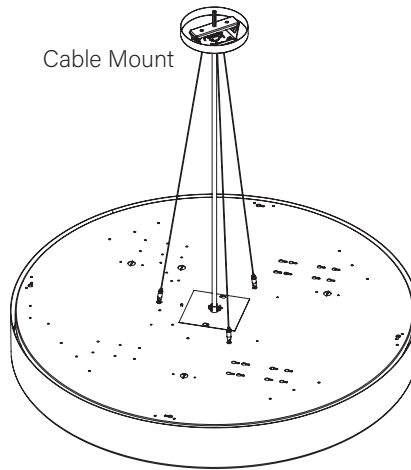
- Luminaires must be installed by a qualified electrician (check with local and national codes for proper installation).
- To prevent electrical shock, disconnect electrical supply before installation or servicing.
- Contractor is responsible for adequately reinforcing walls and/or ceilings to support fixture weight.
- Focal Point, LLC accepts no responsibility for inadequately reinforced walls and/or ceilings.
- The information contained in this drawing is the sole property of Focal Point, LLC. Any reproduction in part or whole without the written permission of Focal Point, LLC is prohibited.

INSTRUCTION KEY

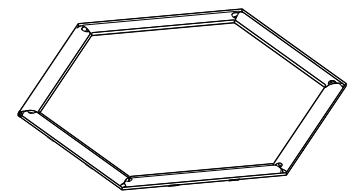
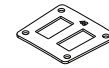
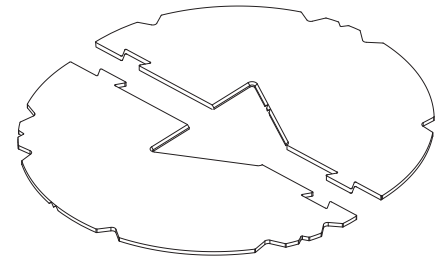
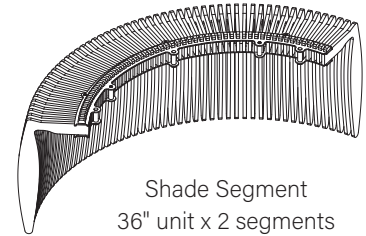
- ATTENTION**
- SEE ADDITIONAL INSTRUCTIONS**
- POWER OFF**
- POWER ON**

COMPONENT KEY

LIGHT ENGINE



PET SHADE



LIGHT ENGINE MUST BE INSTALLED PRIOR TO PET SHADE

STORE PET SHADE IN SHIPPING CARTON UNTIL INSTALLATION

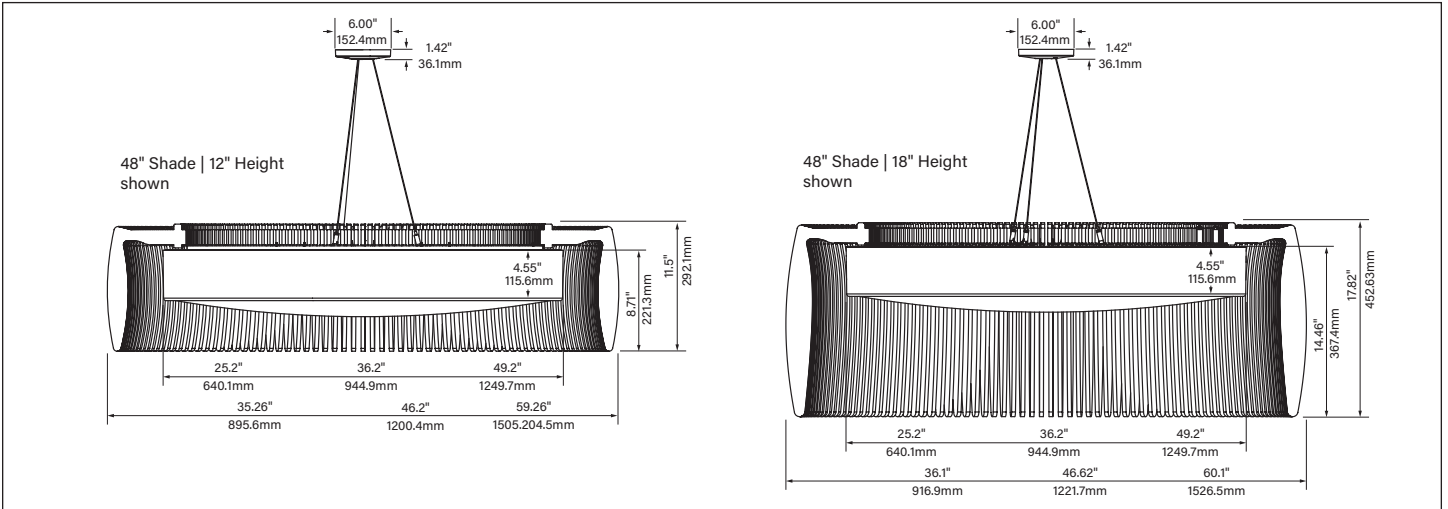
INDIRECT LED UNIT INSTALLATION SEE **PAGE 2**

CABLE MOUNT INSTALLATION SEE **PAGE 2-3**

STEM MOUNT INSTALLATION SEE **PAGE 4**

PET SHADE INSTALLATION SEE **PAGE 5-7**

DIMENSIONAL DATA



INDIRECT LED UNIT INSTALLATION (OPTIONAL)

1 THREAD STANDOFFS INTO HOLES ON HOUSING X6 (SMALL UNIT X 3)

! HAND TIGHTEN ONLY. DO NOT OVERTIGHTEN.

2

ALIGN INDIRECT LED UNIT WITH STANDOFFS. ENSURE ELECTRICAL PIGTAIL CONNECTORS ON INDIRECT LED UNIT ARE ALIGNED WITH CONNECTORS ON SKYDOME.

3

! INSTALL SCREWS INTO STANDOFFS HAND TIGHTEN ONLY. DO NOT OVERTIGHTEN.

4

MAKE ELECTRICAL CONNECTION

LIGHT ENGINE INSTALLATION



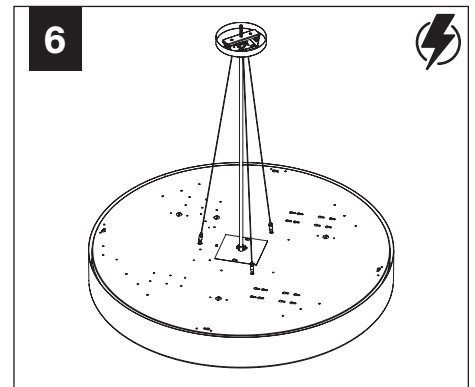
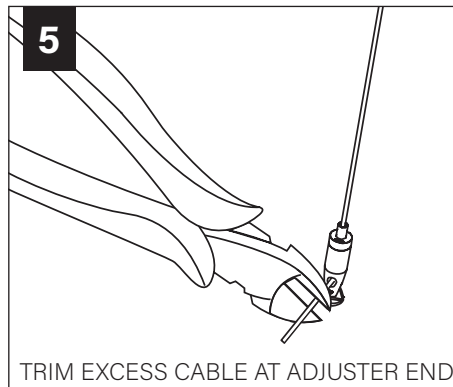
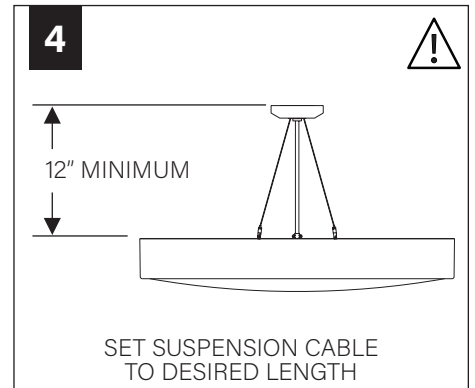
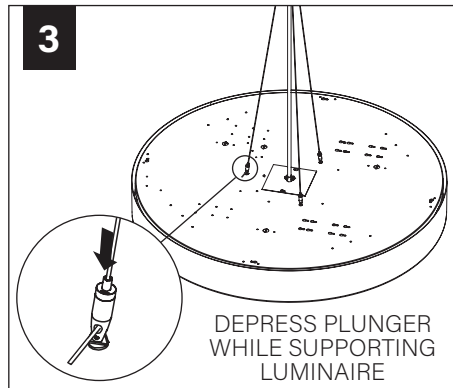
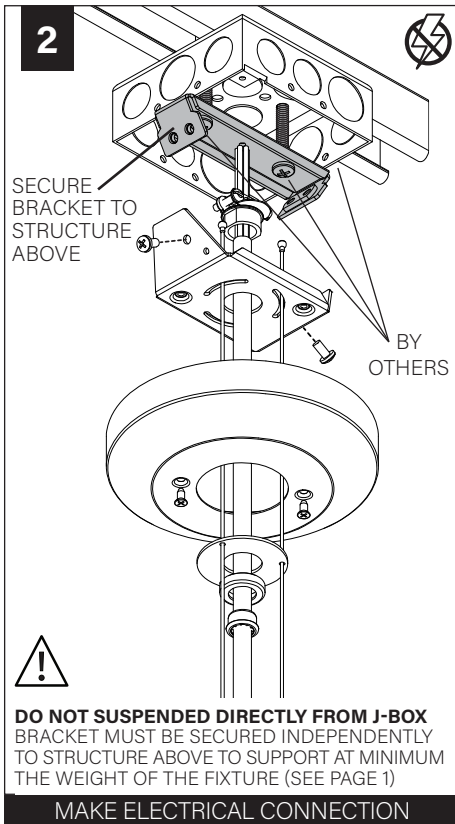
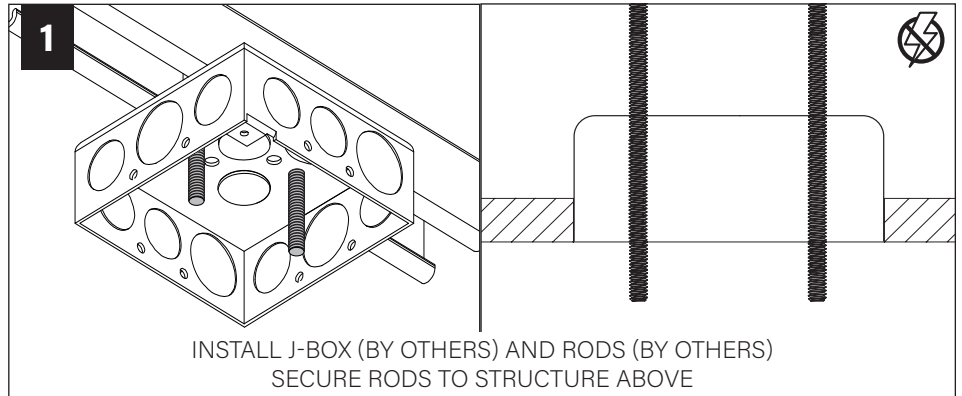
WEIGHTS:

36" UNIT - 45 LBS
2 PEOPLE RECOMMENDED
FOR INSTALLATION

48" UNIT - 82 LBS
3 PEOPLE RECOMMENDED
FOR INSTALLATION

60" UNIT - 112 LBS
3 PEOPLE RECOMMENDED
FOR INSTALLATION

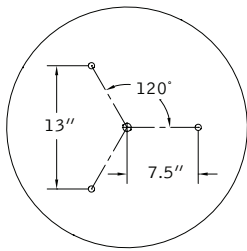
CABLE MOUNT



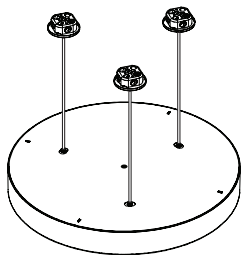
STEM MOUNT

2' DIAMETER

1

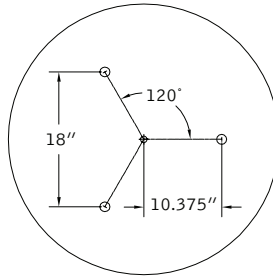


2

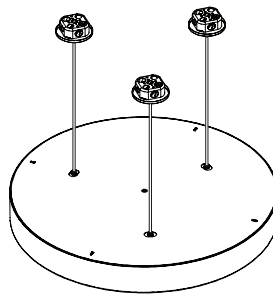


3' DIAMETER

1

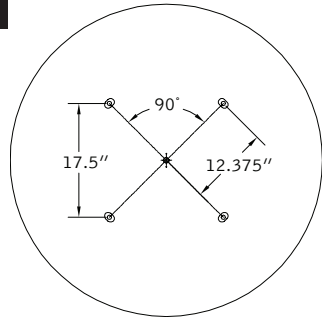


2

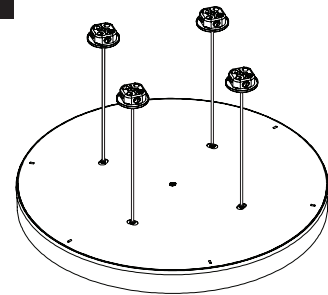


4' DIAMETER

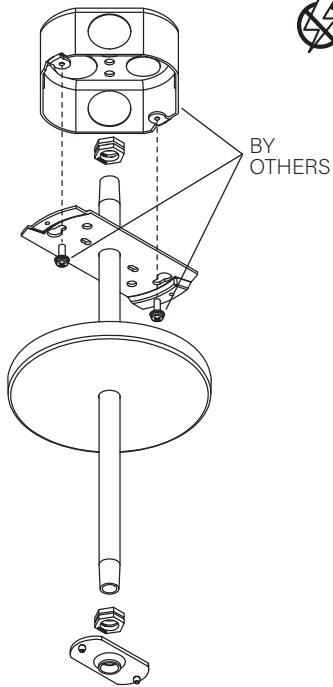
1



2

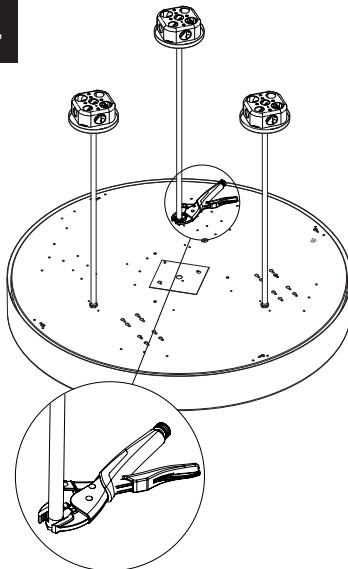


3



MAKE ELECTRICAL CONNECTION

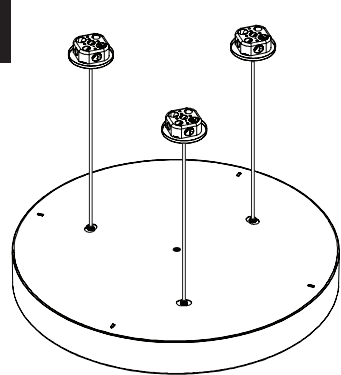
4



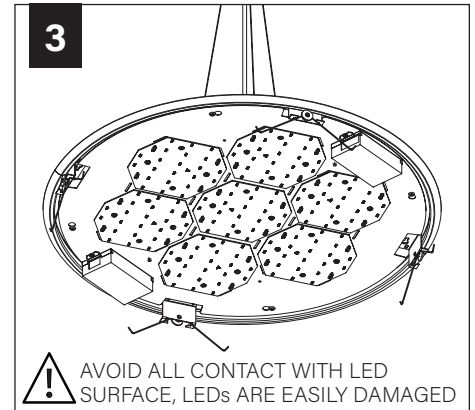
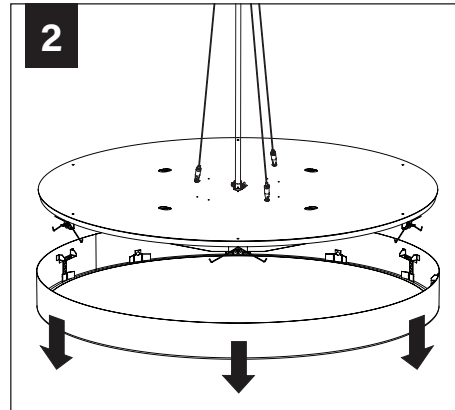
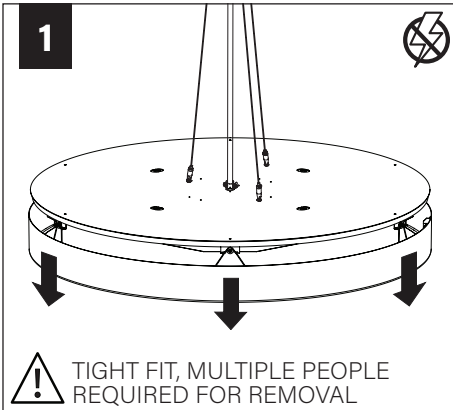
1. ATTACH THE STEM TO COVER. DO NOT OVER TIGHTEN STEM, THIS MAY CAUSE PINCHED WIRES.

2. USING PLIERS, SECURELY TIGHTEN LOCK NUT. STEM MUST BE SECURELY TIGHTENED AND UNABLE TO SPIN LOOSE.

5



DRIVER SERVICE



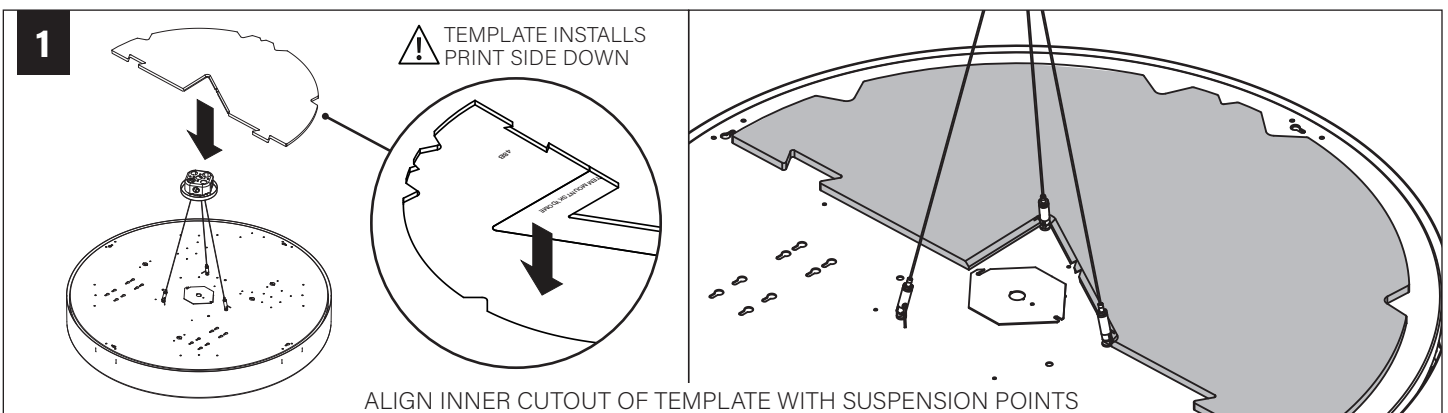
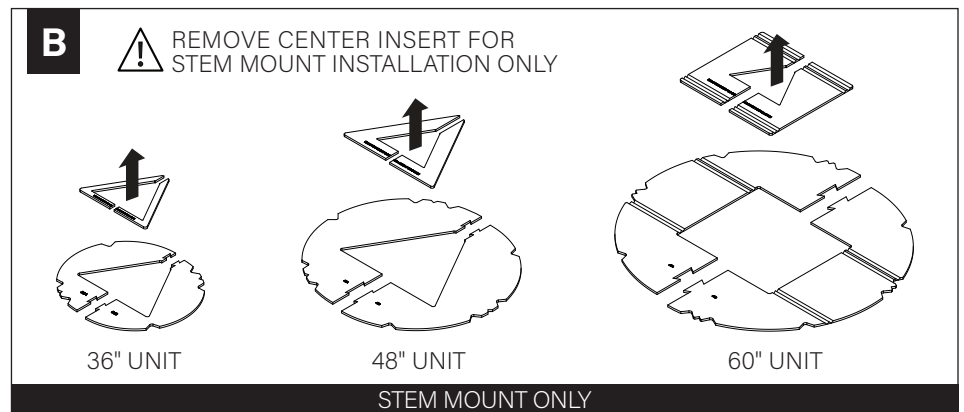
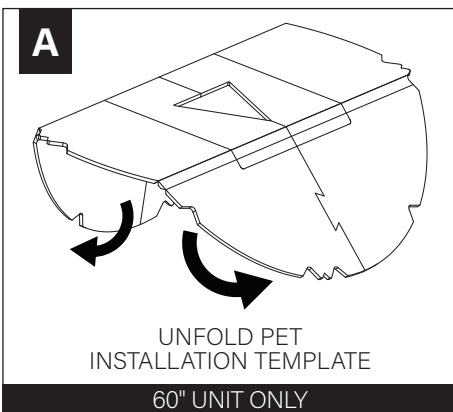
EMERGENCY

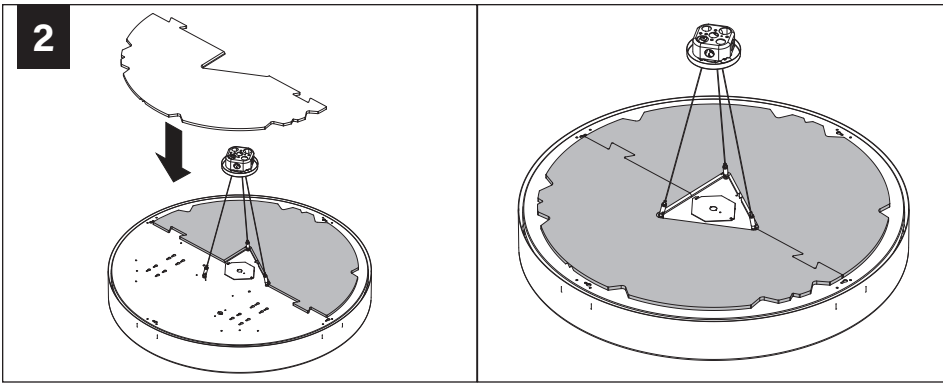


SEE BATTERY MANUFACTURER INSTRUCTIONS

EMERGENCY MAXIMUM MOUNTING HEIGHT:
16.00'

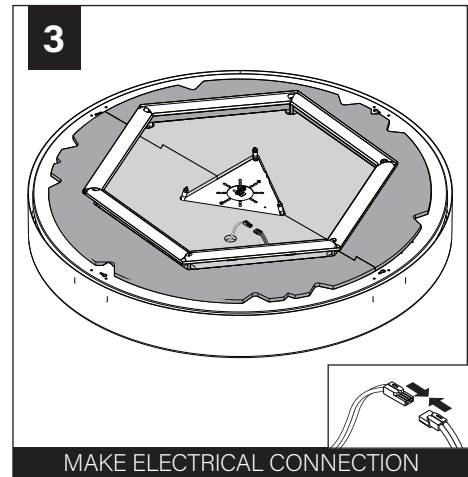
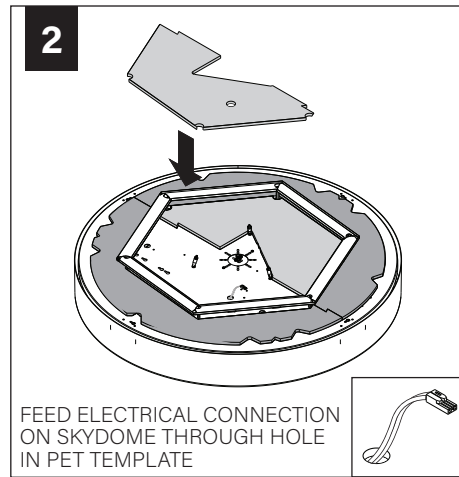
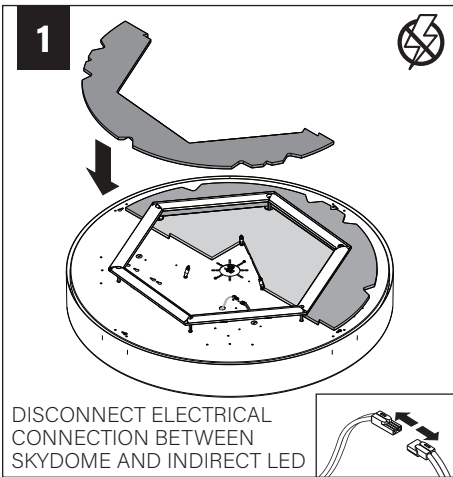
PET TEMPLATE INSTALLATION





PET TEMPLATE INSTALLATION - INDIRECT ONLY

⚠️ TEMPLATE INSTALLS PRINT SIDE DOWN. ALIGN INNER CUTOUT OF TEMPLATE WITH STANDOFFS



PET SHADE INSTALLATION

