

# Polina® Acoustic

TriCore™ Acoustic Construction



FOCAL POINT®

UNLIT PENDANT | AUPOLP-SHX-27-SC | AUPOLP-SHX-42-SC

## BEFORE YOU BEGIN

- Luminaires must be installed by a qualified electrician (check with local and national codes for proper installation).
- To prevent electrical shock, disconnect electrical supply before installation or servicing.
- Contractor is responsible for adequately reinforcing walls and/or ceilings to support fixture weight.
- Focal Point, LLC accepts no responsibility for inadequately reinforced walls and/or ceilings.
- The information contained in this drawing is the sole property of Focal Point, LLC. Any reproduction in part or whole without the written permission of Focal Point, LLC is prohibited.

## INSTRUCTION KEY

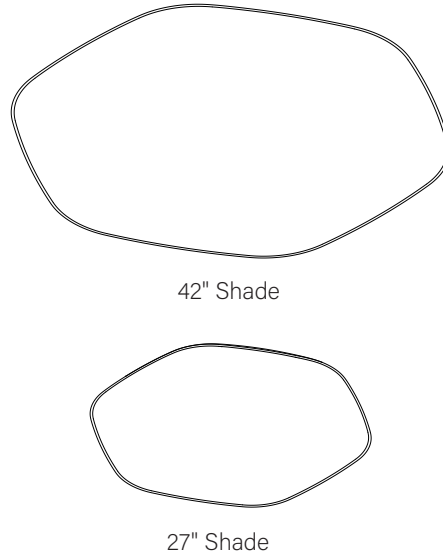
- ATTENTION**
- SEE ADDITIONAL INSTRUCTIONS**

## HANDLING & CLEANING

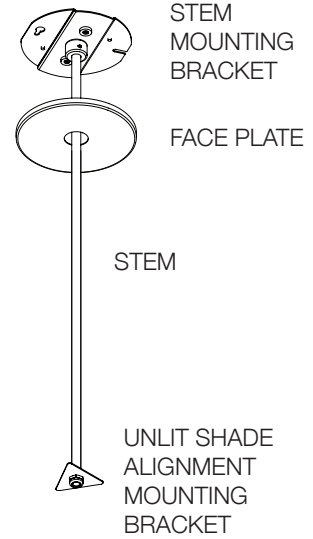
- Always handle with clean white gloves (provided).
- Use can of compressed air to remove dust and debris from shade.
- Use lint roller to gently lift any remaining debris from shade.

## COMPONENT KEY

### ACOUSTIC SHADES



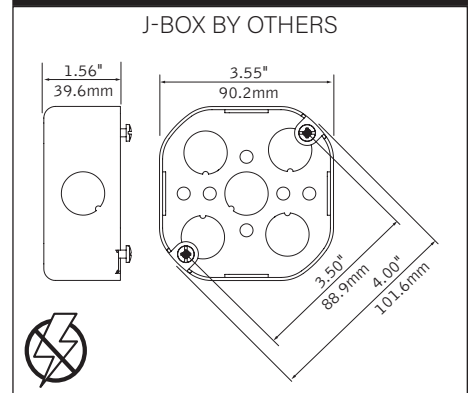
### STEM MOUNT



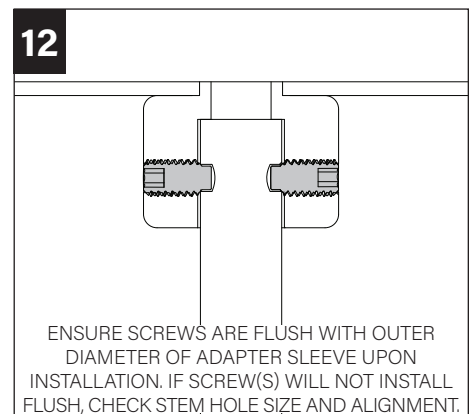
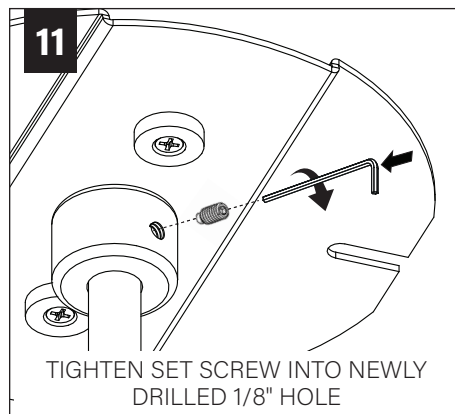
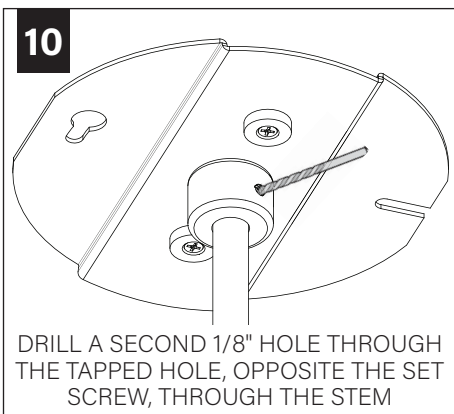
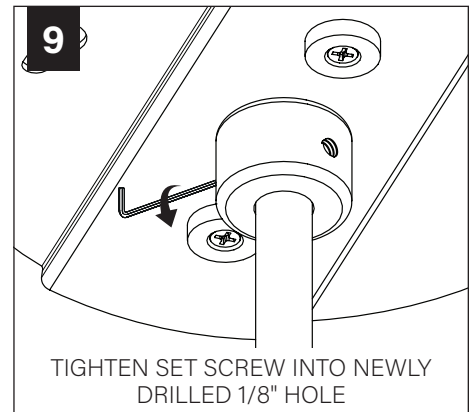
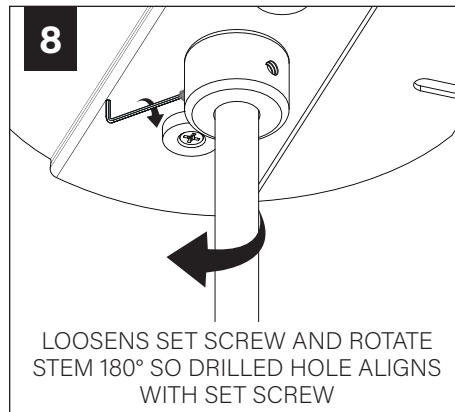
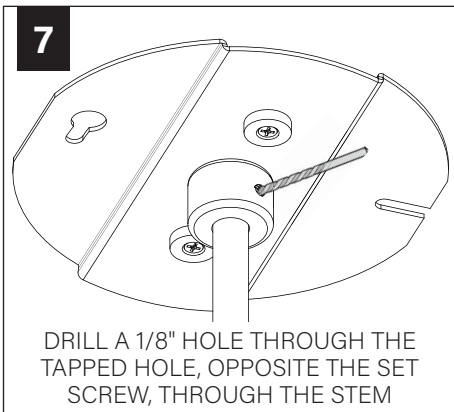
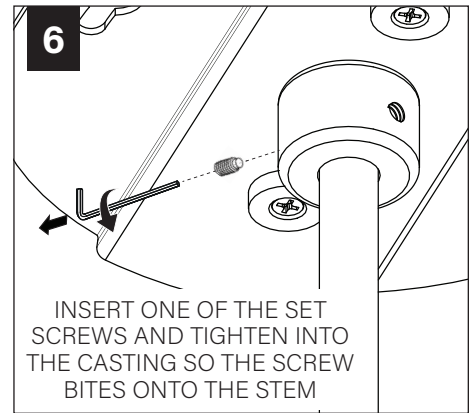
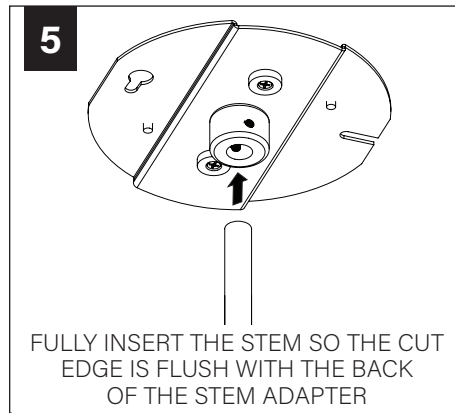
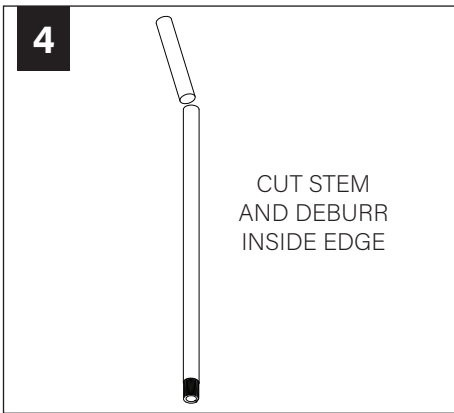
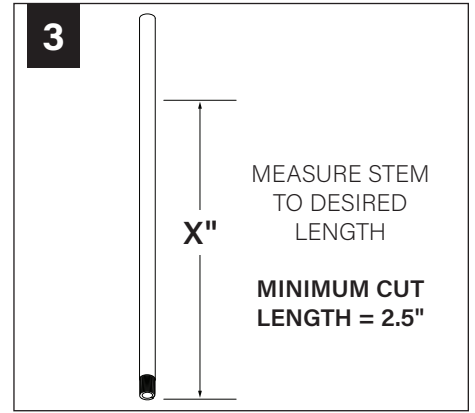
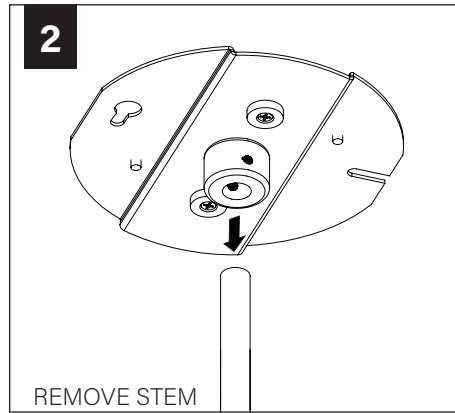
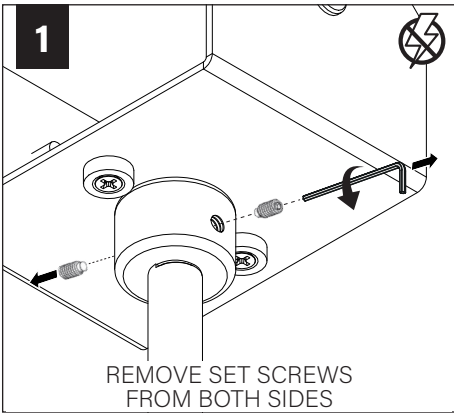
### SHIPPED INSTALLED



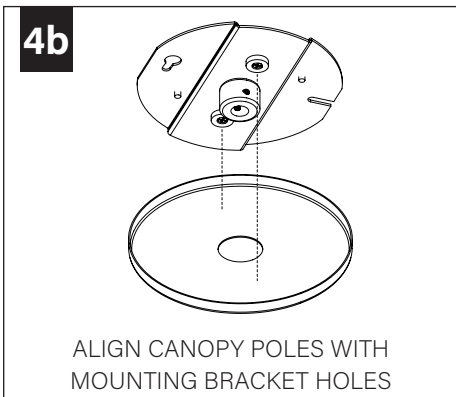
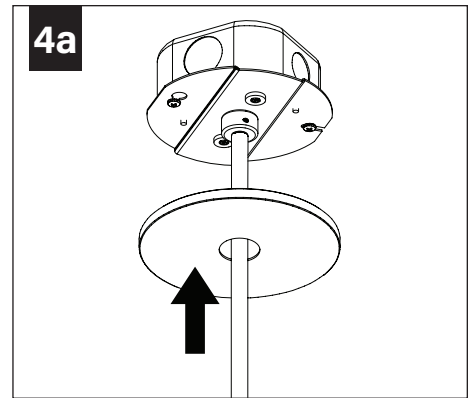
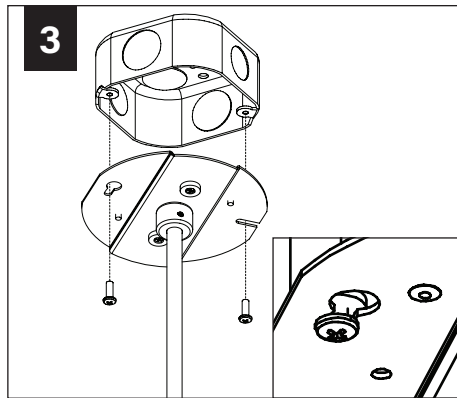
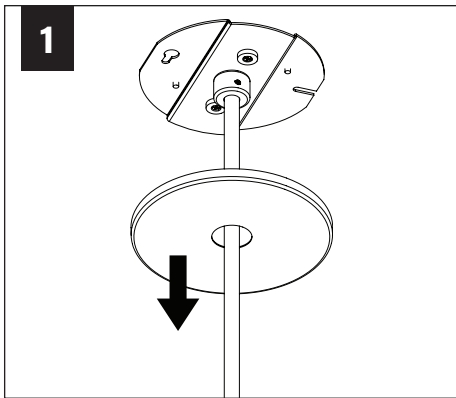
## 4" OCTAGONAL J-BOX REQUIRED



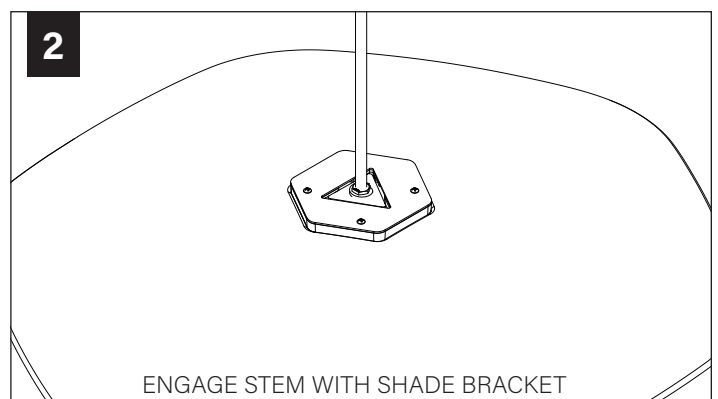
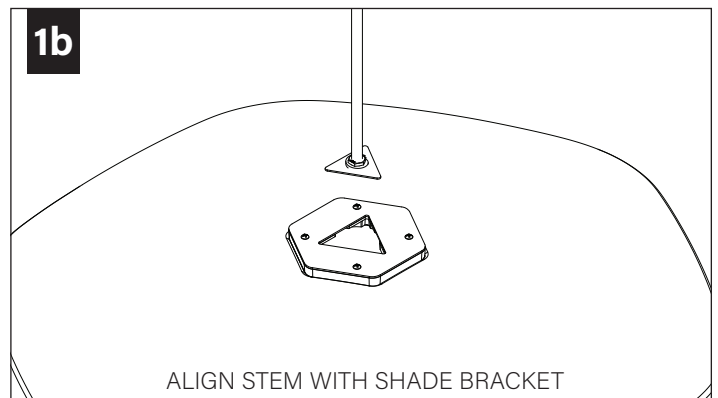
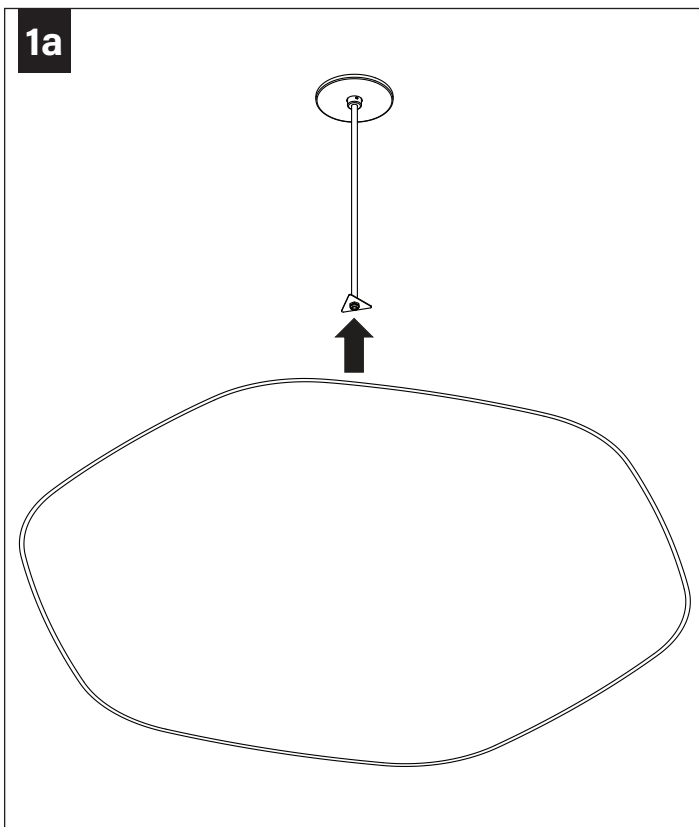
## FIELD CUTTABLE STEM (OPTIONAL)



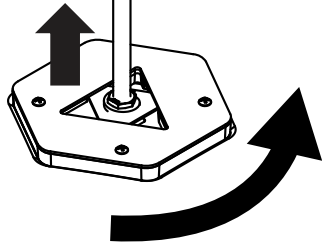
## SHALLOW CANOPY INSTALLATION



## ACOUSTIC SHADE

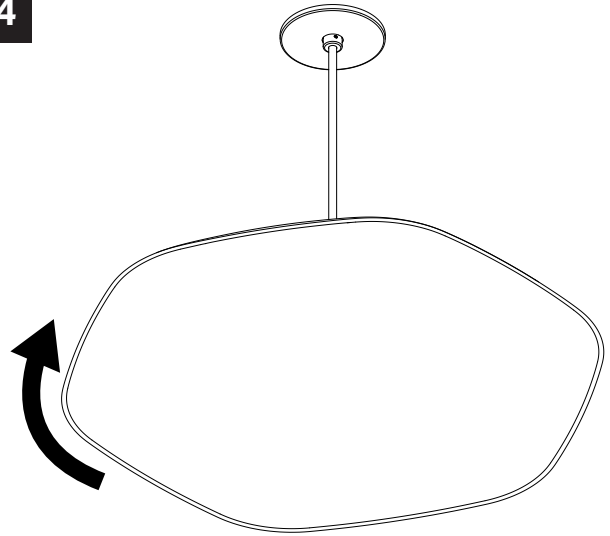


3



LIFT SHADE SLIGHTLY AND ROTATE 60° CLOCKWISE UNTIL STOPPING POINT. THE SHADE WILL DROP INTO PLACE. ROTATE ANOTHER 20° TO THE RIGHT TO LOCK."

4



ONCE SHADE IS LOCKED INTO PLACE, THE SHADE CAN BE ROTATED CLOCKWISE FOR DESIRED ORIENTATION.