

Polina® Acoustic

TriCore™ Acoustic Construction



FOCAL POINT®

UNLIT WALL MOUNT | AUPOLC-SHXS-27-WM | AUPOLC-SHXS-42-WM



BEFORE YOU BEGIN

- Luminaires must be installed by a qualified electrician (check with local and national codes for proper installation).
- To prevent electrical shock, disconnect electrical supply before installation or servicing.
- Contractor is responsible for adequately reinforcing walls and/or ceilings to support fixture weight.
- Focal Point, LLC accepts no responsibility for inadequately reinforced walls and/or ceilings.
- The information contained in this drawing is the sole property of Focal Point, LLC. Any reproduction in part or whole without the written permission of Focal Point, LLC is prohibited.

INSTRUCTION KEY



ATTENTION



SEE ADDITIONAL INSTRUCTIONS



POWER OFF



POWER ON

HANDLING & CLEANING



Always handle with clean white gloves (provided).



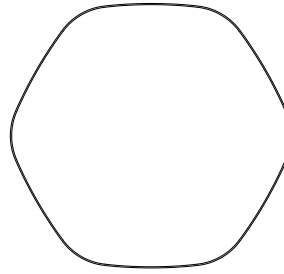
Use can of compressed air to remove dust and debris from shade.



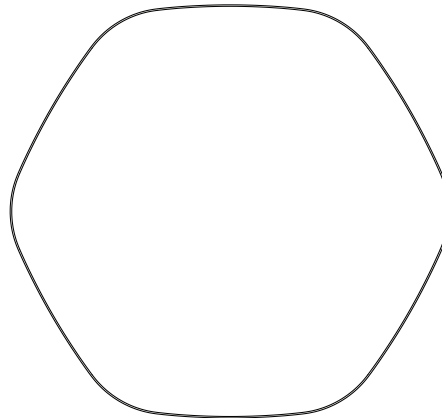
Use lint roller to gently lift any remaining debris from shade.

COMPONENT KEY

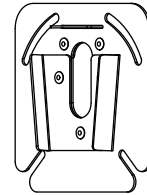
ACOUSTIC SHADES



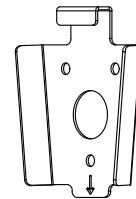
27" Shade



42" Shade



J-box Mounting Bracket



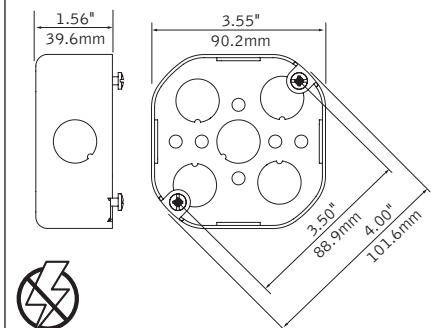
Shade Mounting Bracket



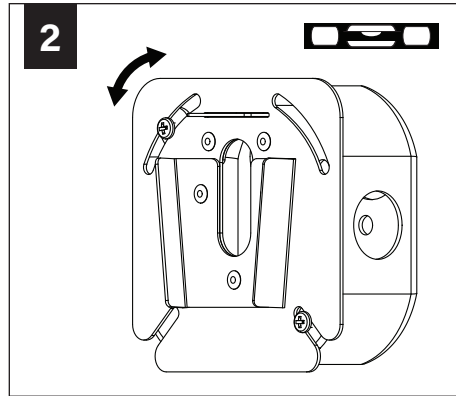
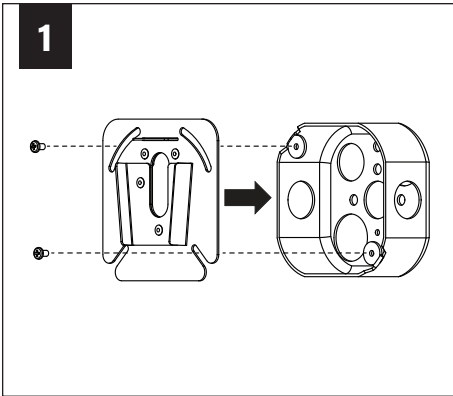
Shade Mounting Bracket Screws (PN 72023)

4" OCTAGONAL J-BOX REQUIRED

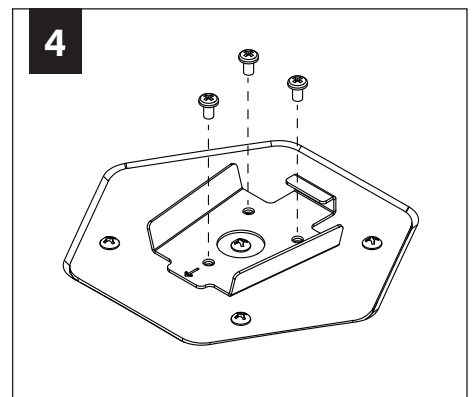
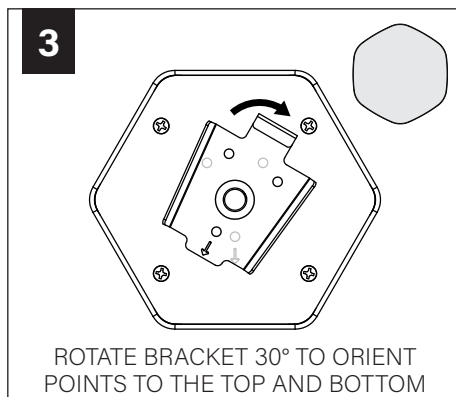
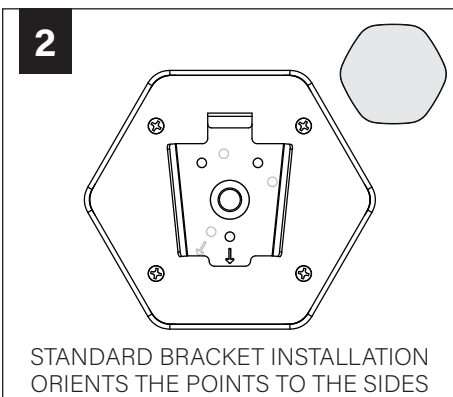
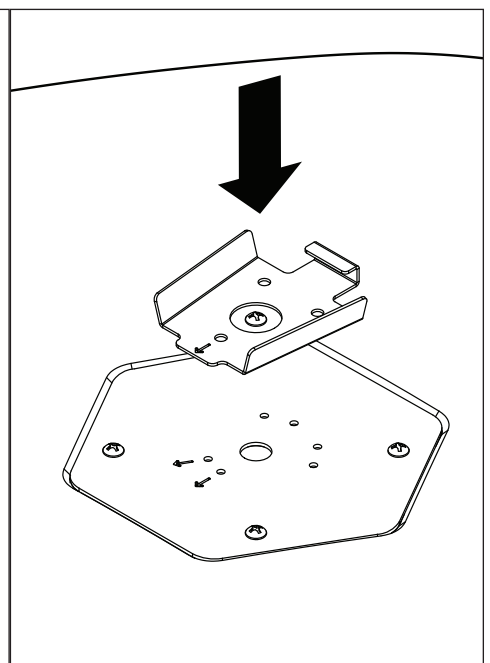
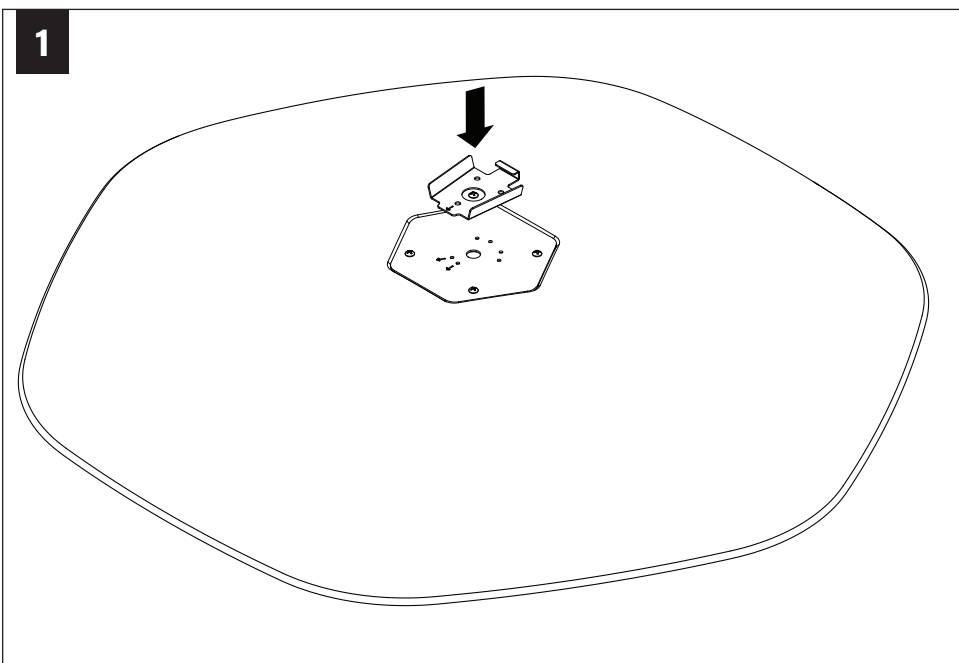
J-BOX BY OTHERS



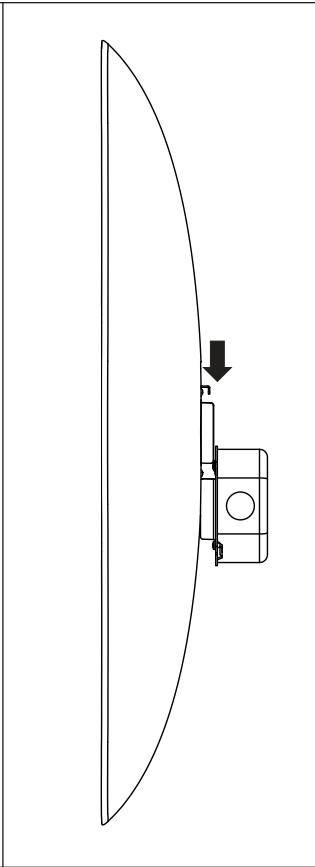
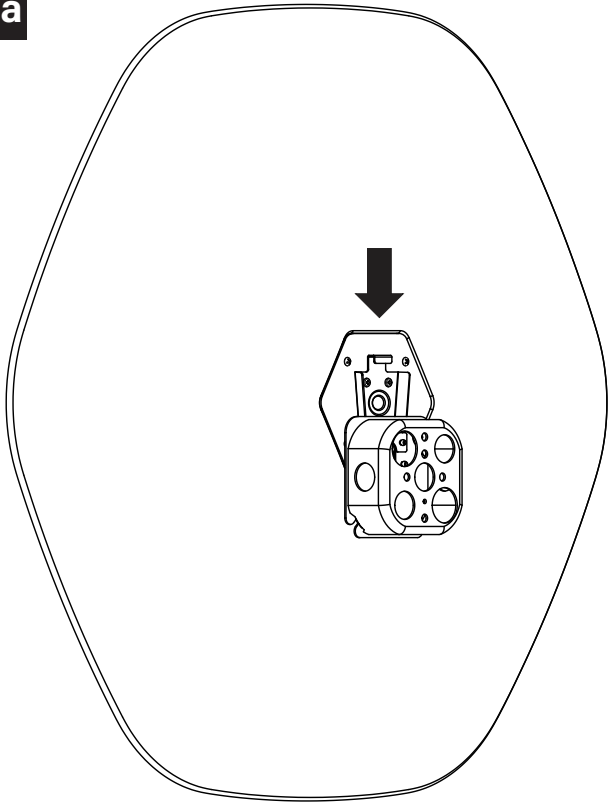
J-BOX



ACOUSTIC SHADE



5a



5b

