



## BEFORE YOU BEGIN

- Luminaires must be installed by a qualified electrician (check with local and national codes for proper installation).
- To prevent electrical shock, disconnect electrical supply before installation or servicing.
- Contractor is responsible for adequately reinforcing walls and/or ceilings to support fixture weight.
- Focal Point, LLC accepts no responsibility for inadequately reinforced walls and/or ceilings.
- The information contained in this drawing is the sole property of Focal Point, LLC. Any reproduction in part or whole without the written permission of Focal Point, LLC is prohibited.

## INSTRUCTION KEY



## HANDLING & CLEANING



Always handle with clean white gloves (provided).



Use can of compressed air to remove dust and debris from shade and dust cover.



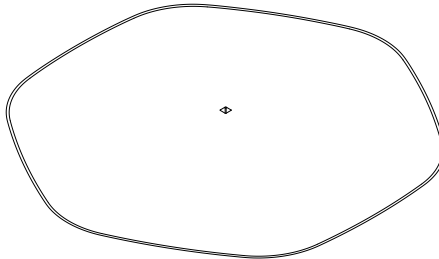
Use lint roller to gently lift any remaining debris from shade.



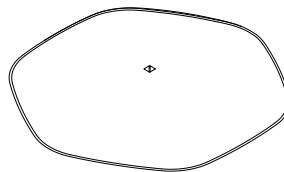
Lightly wipe dust cover with damp cloth. Do not leave excess moisture on surface.

## COMPONENT KEY

### ACOUSTIC SHADES



42" Shade



27" Shade

### LIGHT ENGINE



STEM SPACER



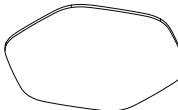
NUT



LED MODULE



LOCKNUT



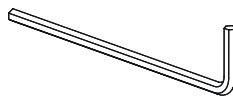
FACE PLATE

### SHIPPED INSTALLED



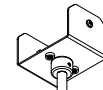
#8-32X5/16" HALF DOG NOSE SET SCREWS

### SHIPPED IN PARTS BAG



ALLEN WRENCH

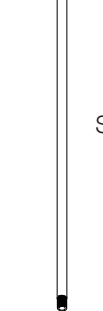
### STEM MOUNT



STEM MOUNTING BRACKET

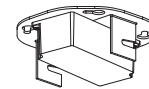


FACE PLATE



STEM

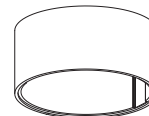
### MINI POWER CANOPY



J-BOX MOUNTING BRACKET / DRIVER CARRIAGE



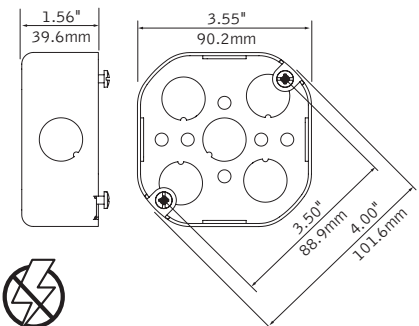
FINISHING RING

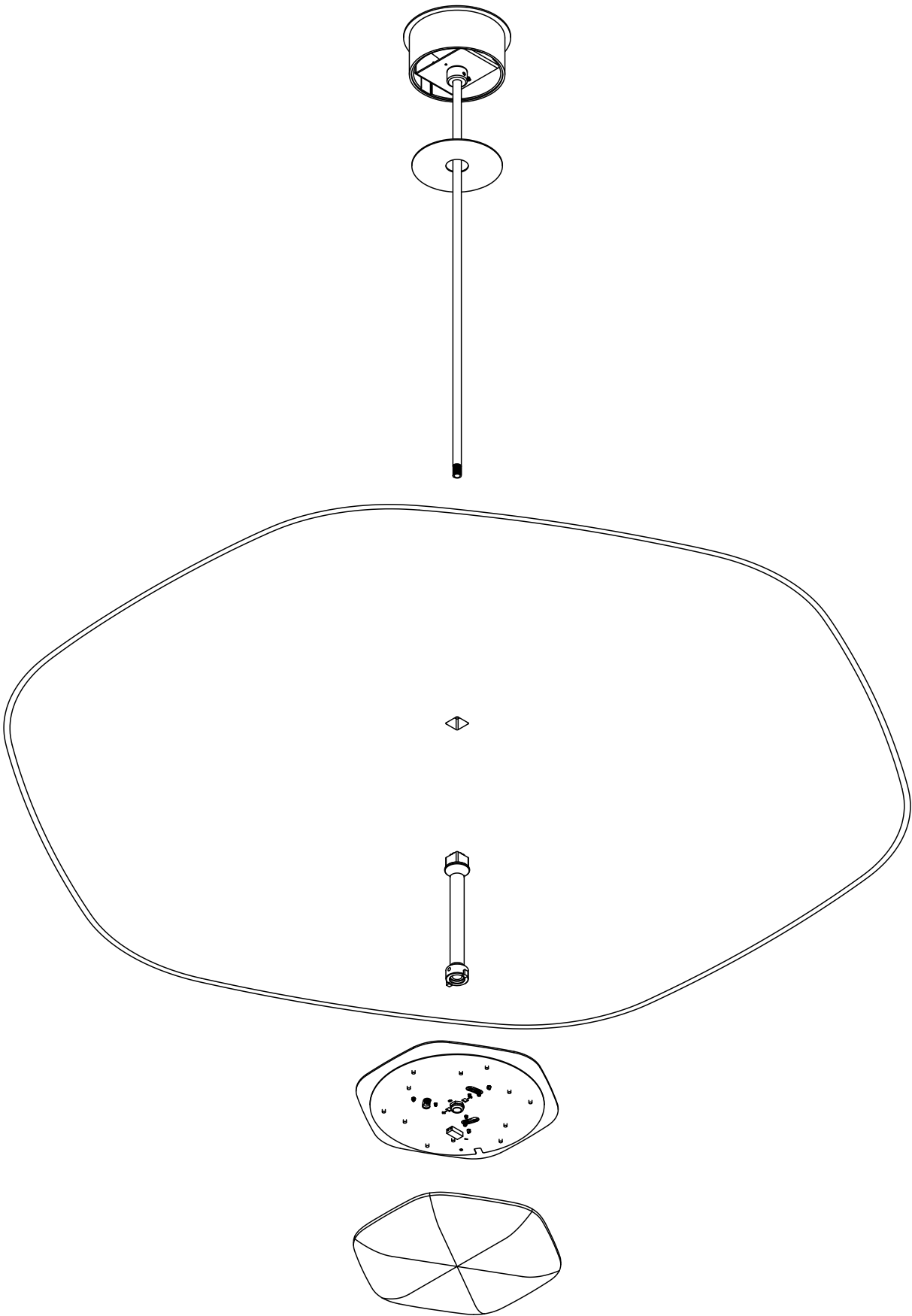


MINI POWER CANOPY

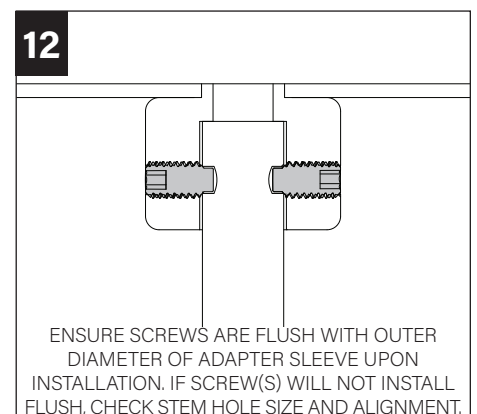
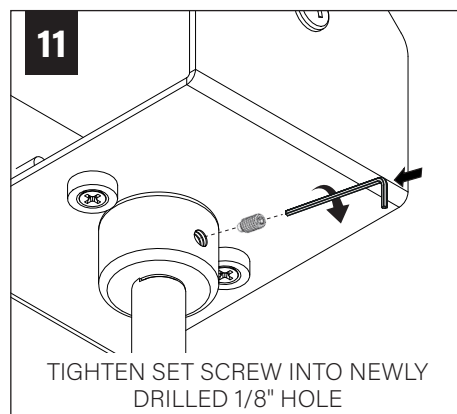
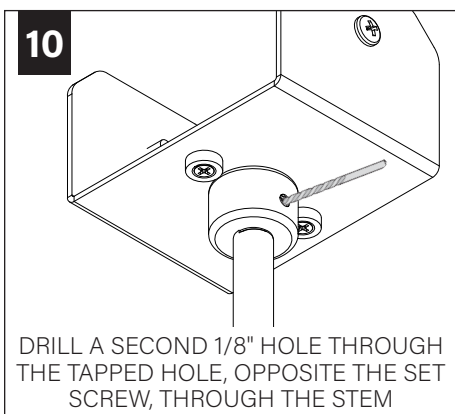
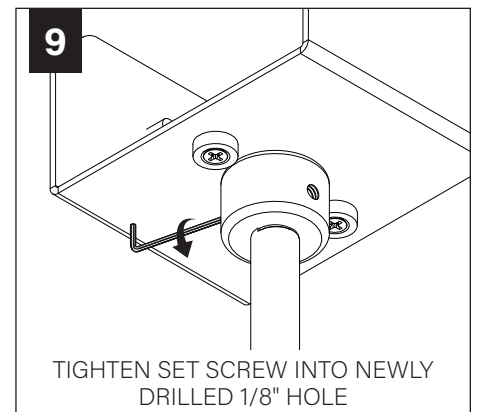
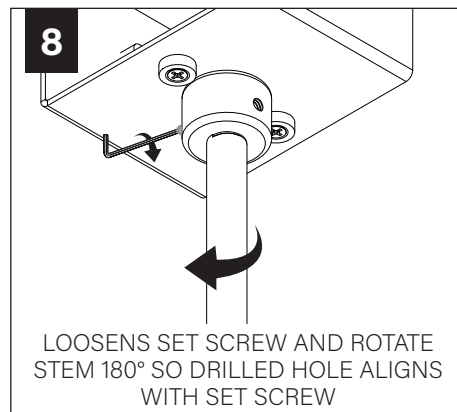
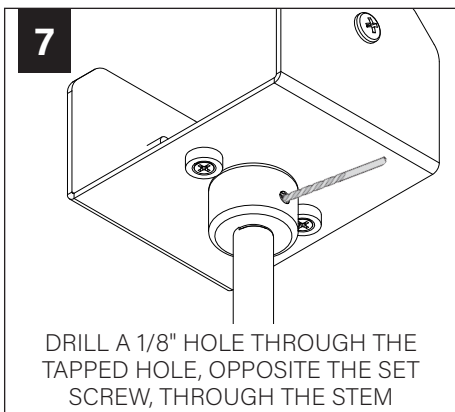
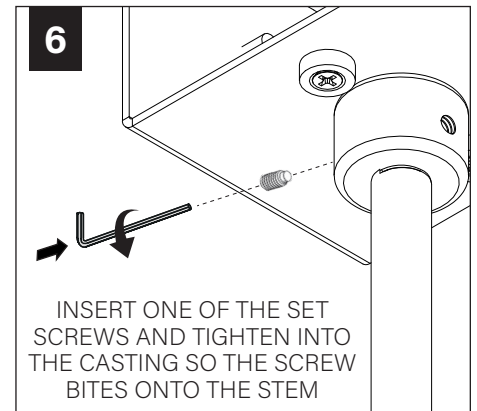
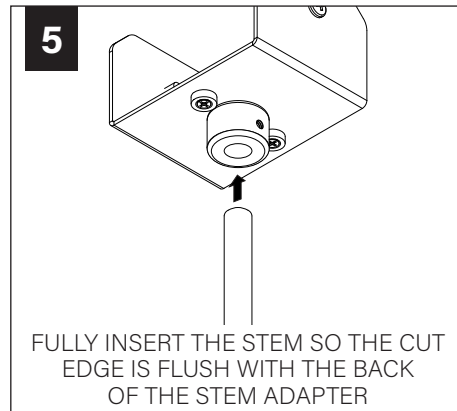
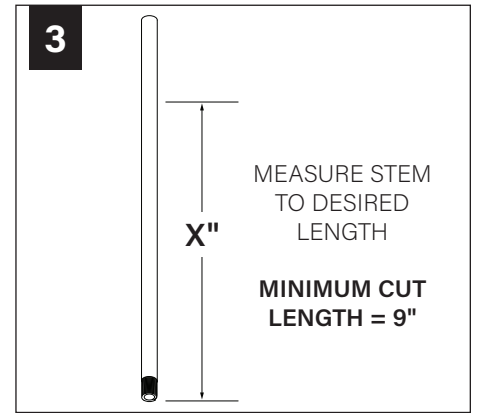
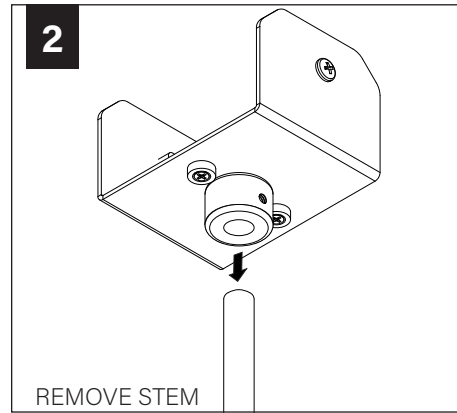
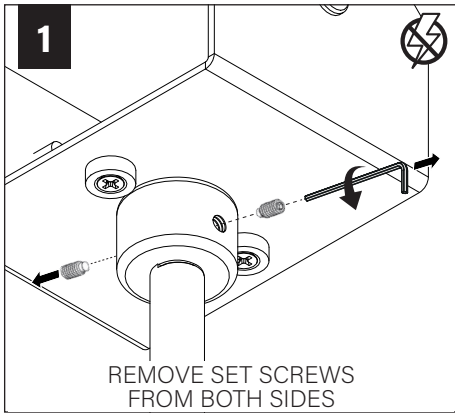
## 4" OCTAGONAL J-BOX REQUIRED

### J-BOX BY OTHERS

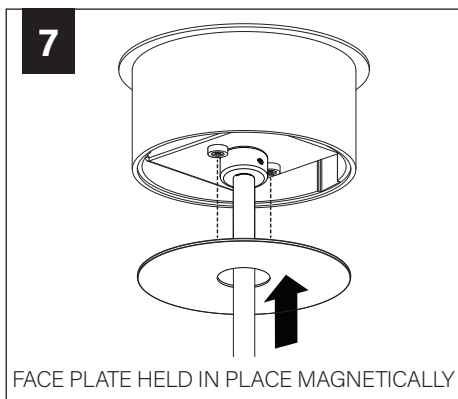
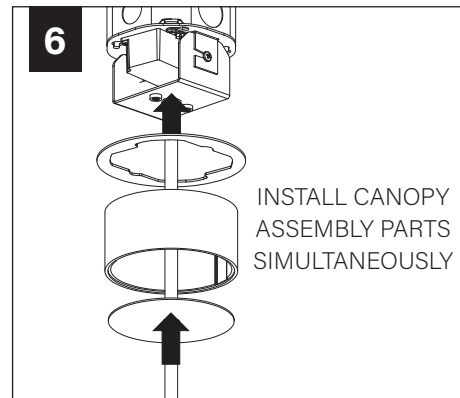
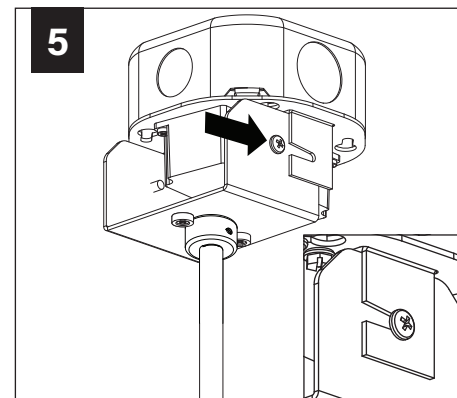
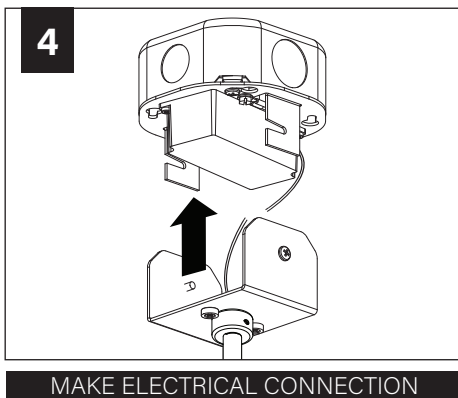
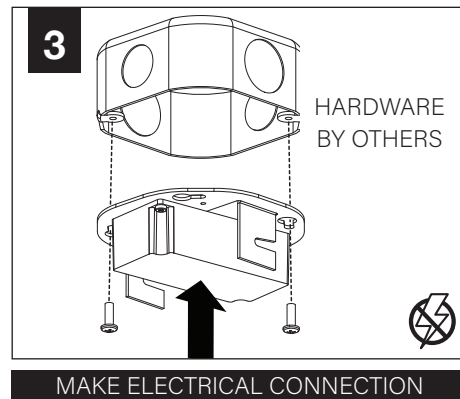
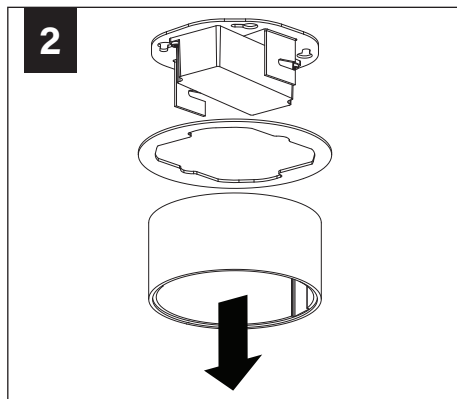
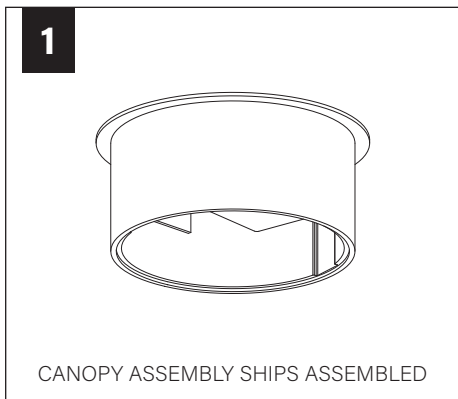




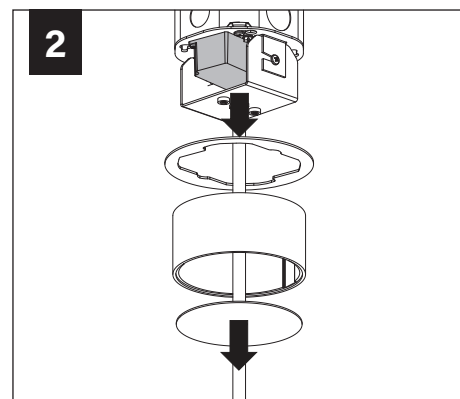
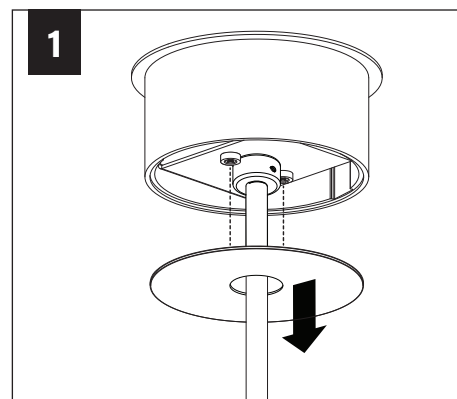
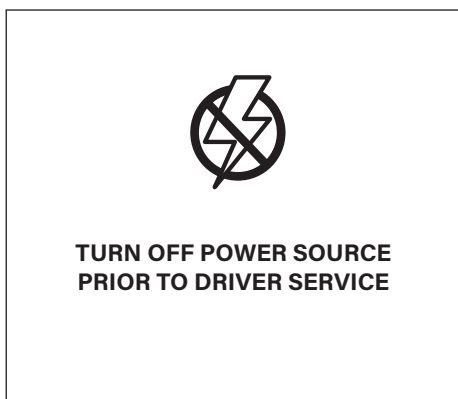
## FIELD CUTTABLE STEM (OPTIONAL)



## MINI POWER CANOPY INSTALLATION

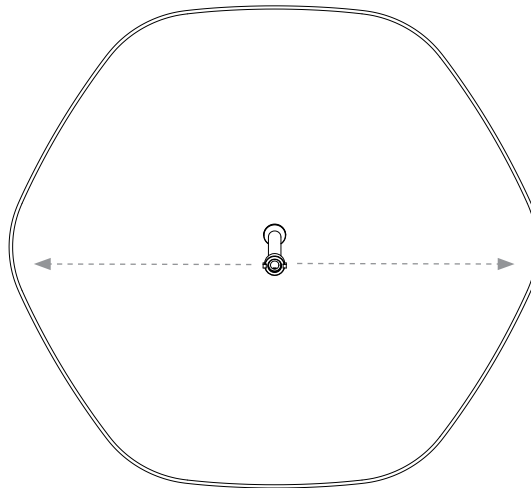
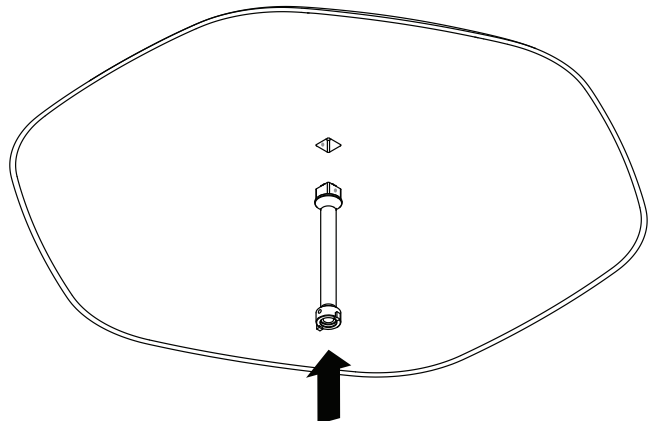


## DRIVER SERVICE



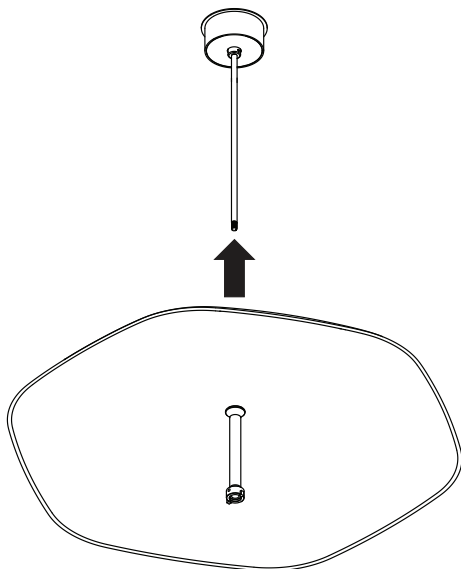
# ACOUSTIC SHADE AND LED MODULE

1

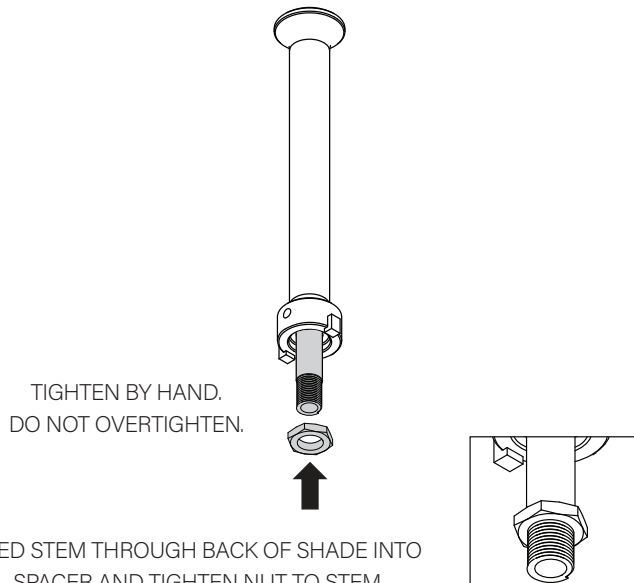


SPACER PEGS MUST BE ORIENTED TOWARD POINTED SIDES OF SHADE, NOT FLAT SIDES

2a



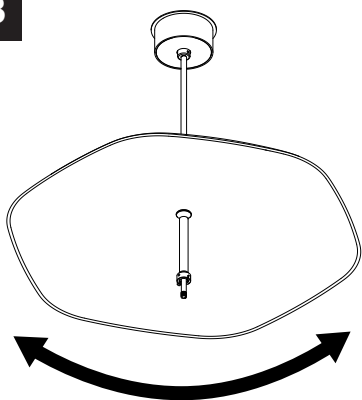
2b



TIGHTEN BY HAND.  
DO NOT OVERTIGHTEN.

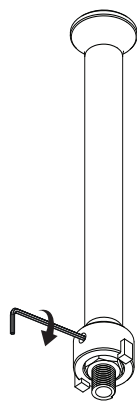
FEED STEM THROUGH BACK OF SHADE INTO SPACER AND TIGHTEN NUT TO STEM

3



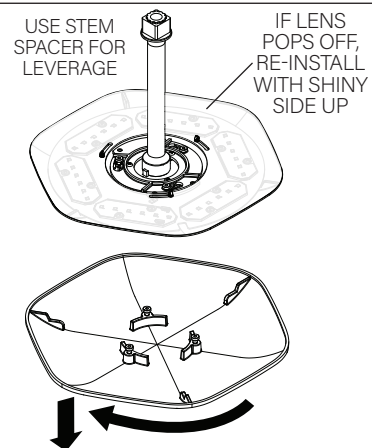
ROTATE SHADE TO DESIRED ORIENTATION

4



TIGHTEN SET SCREW IN STEM SPACER TO LOCK SHADE INTO PLACE

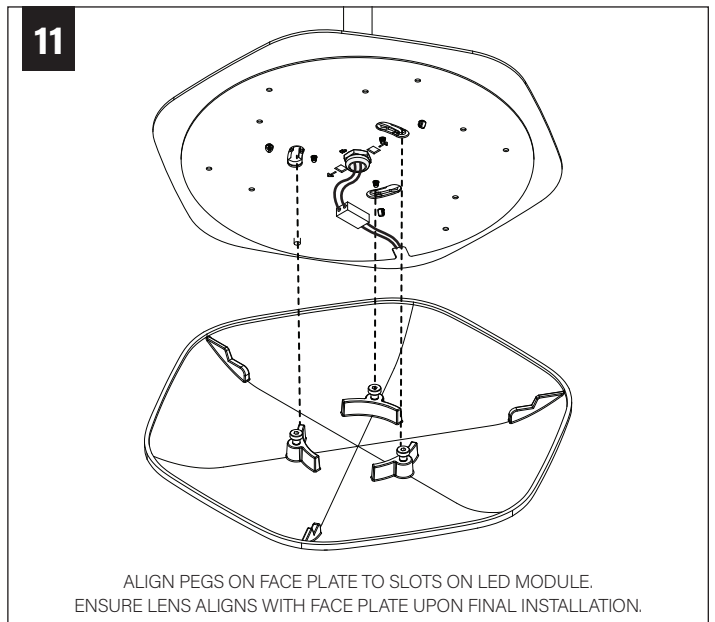
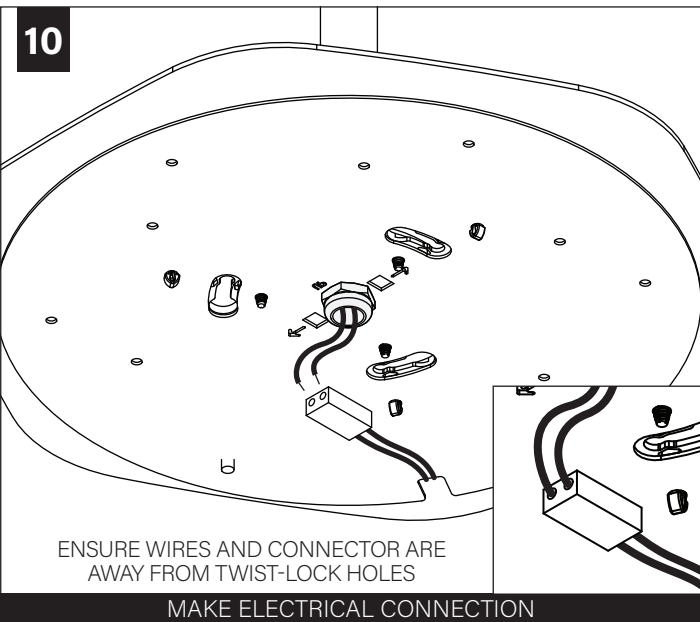
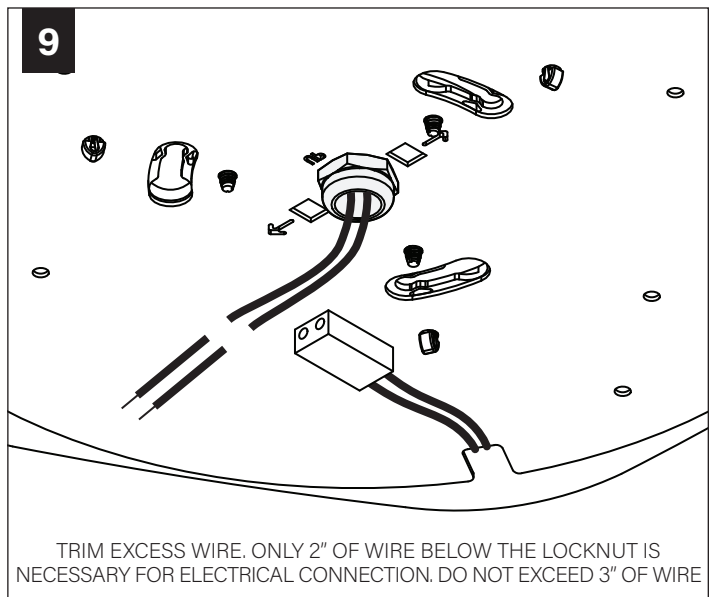
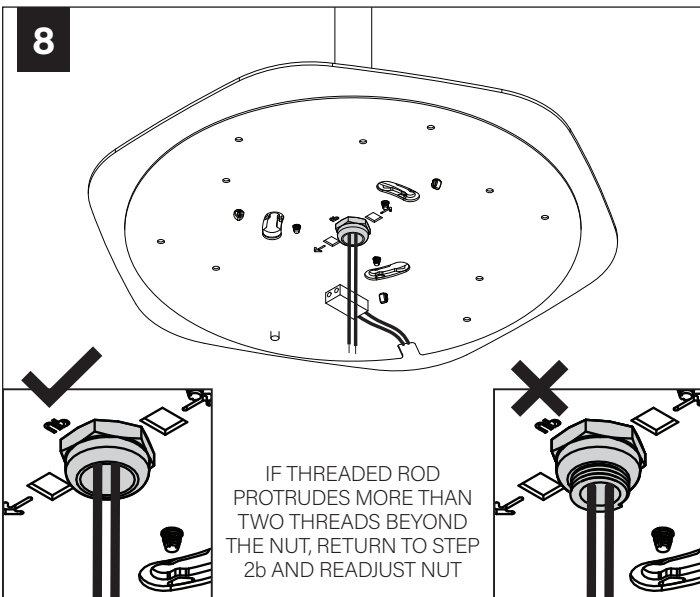
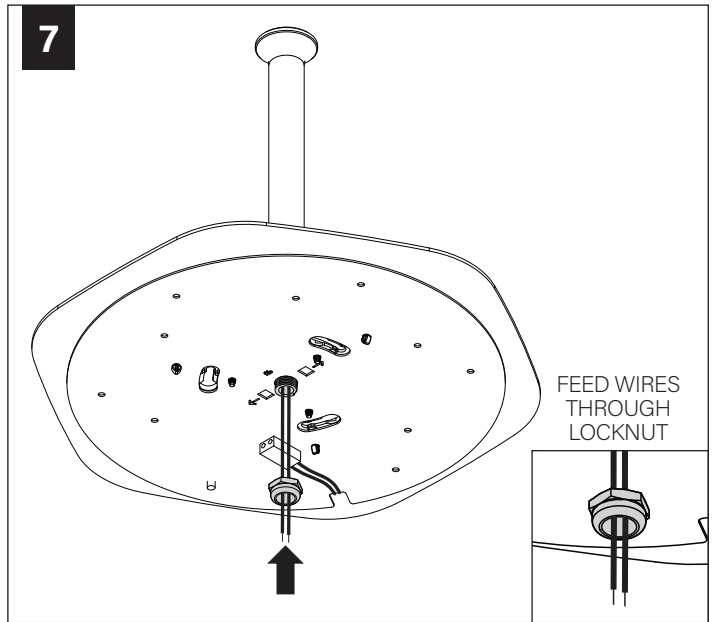
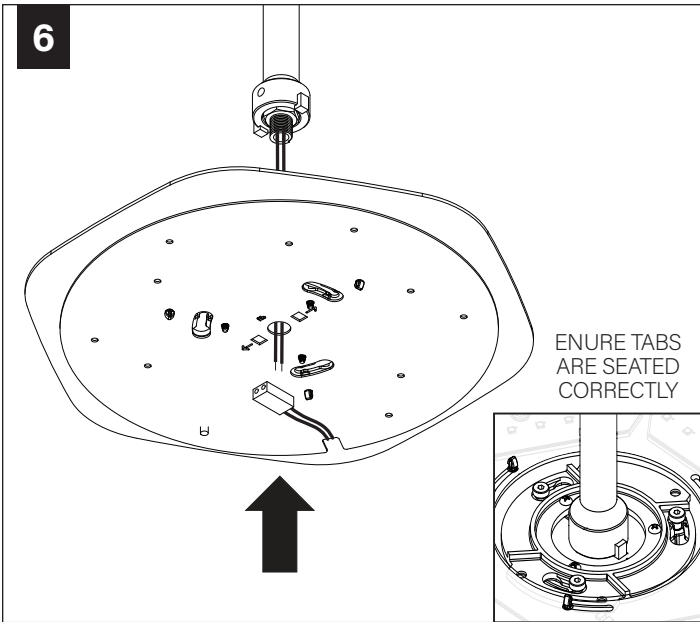
5



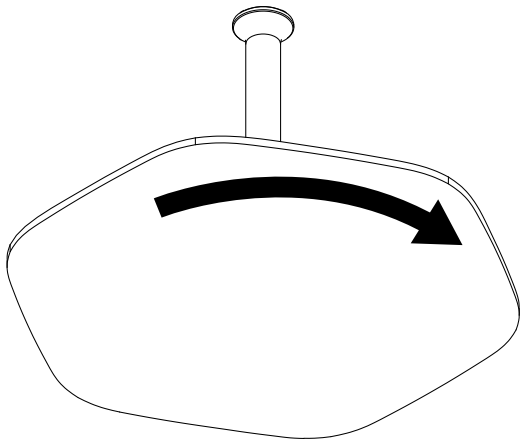
USE STEM SPACER FOR LEVERAGE

IF LENS POPS OFF, RE-INSTALL WITH SHINY SIDE UP

TWIST TO UNLOCK AND REMOVE FACEPLATE FROM LED MODULE



12



TWIST AND LOCK FACEPLATE UNTIL IT CLICKS INTO PLACE

13

