



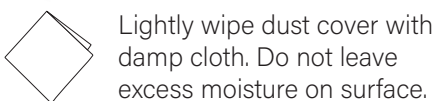
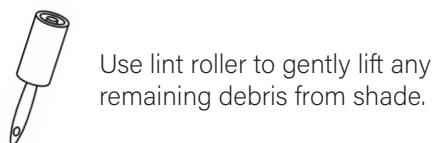
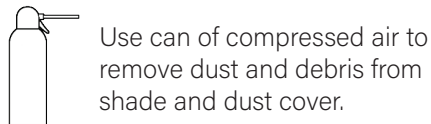
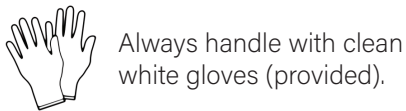
## BEFORE YOU BEGIN

- Luminaires must be installed by a qualified electrician (check with local and national codes for proper installation).
- To prevent electrical shock, disconnect electrical supply before installation or servicing.
- Contractor is responsible for adequately reinforcing walls and/or ceilings to support fixture weight.
- Focal Point, LLC accepts no responsibility for inadequately reinforced walls and/or ceilings.
- The information contained in this drawing is the sole property of Focal Point, LLC. Any reproduction in part or whole without the written permission of Focal Point, LLC is prohibited.

## INSTRUCTION KEY

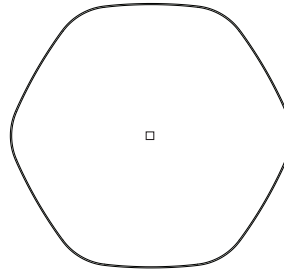


## HANDLING & CLEANING

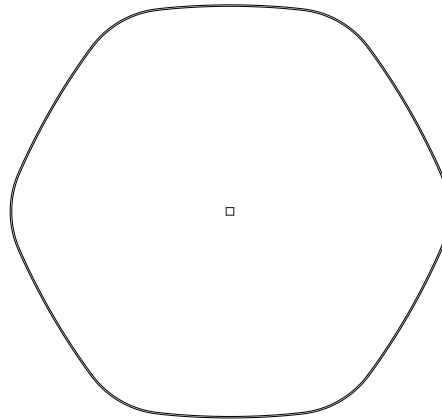


## COMPONENT KEY

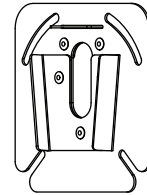
### ACOUSTIC SHADES



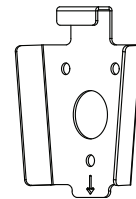
27" Shade



42" Shade



J-box Mounting Bracket



Shade Mounting Bracket

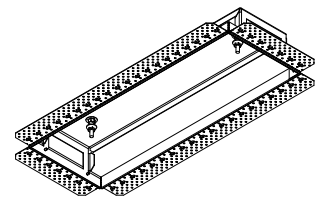


Shade Mounting Bracket Screws (PN 72023)

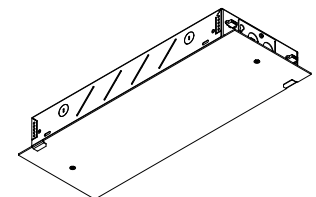
### LIGHT ENGINE



### REMOTE POWER BOX



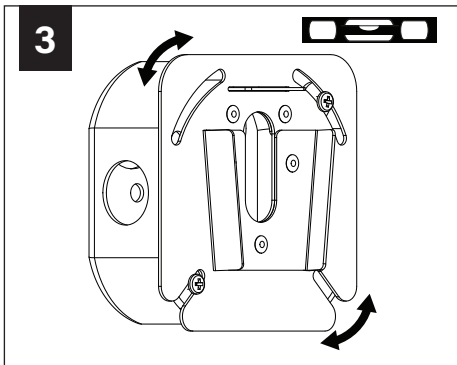
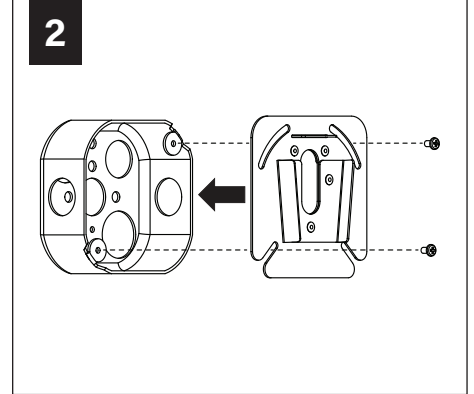
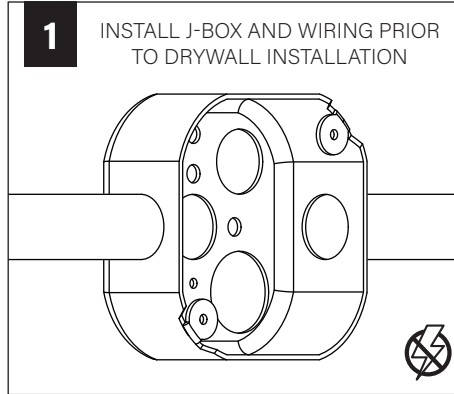
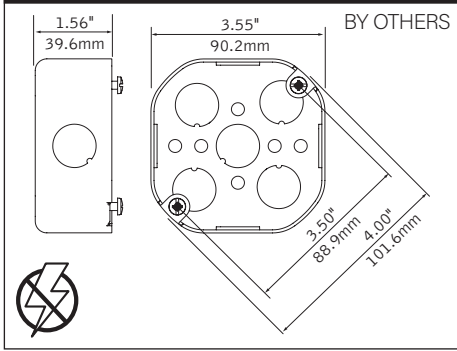
MUD-IN CHASIS



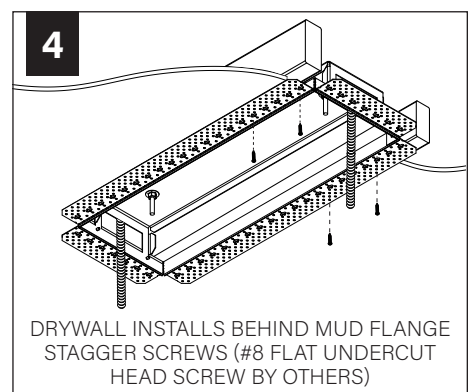
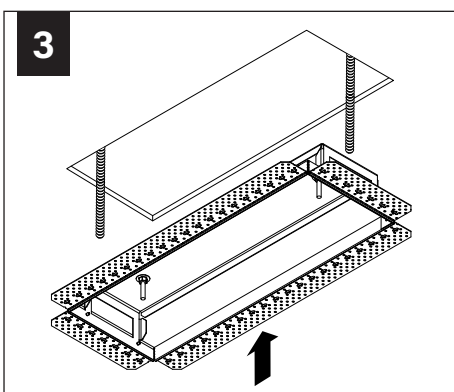
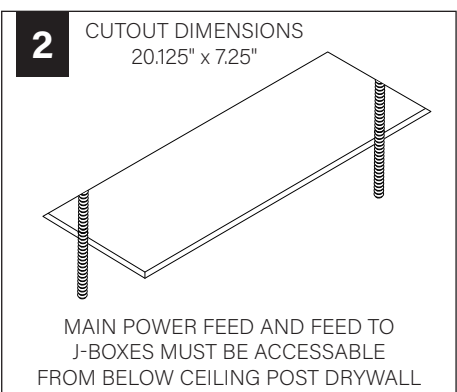
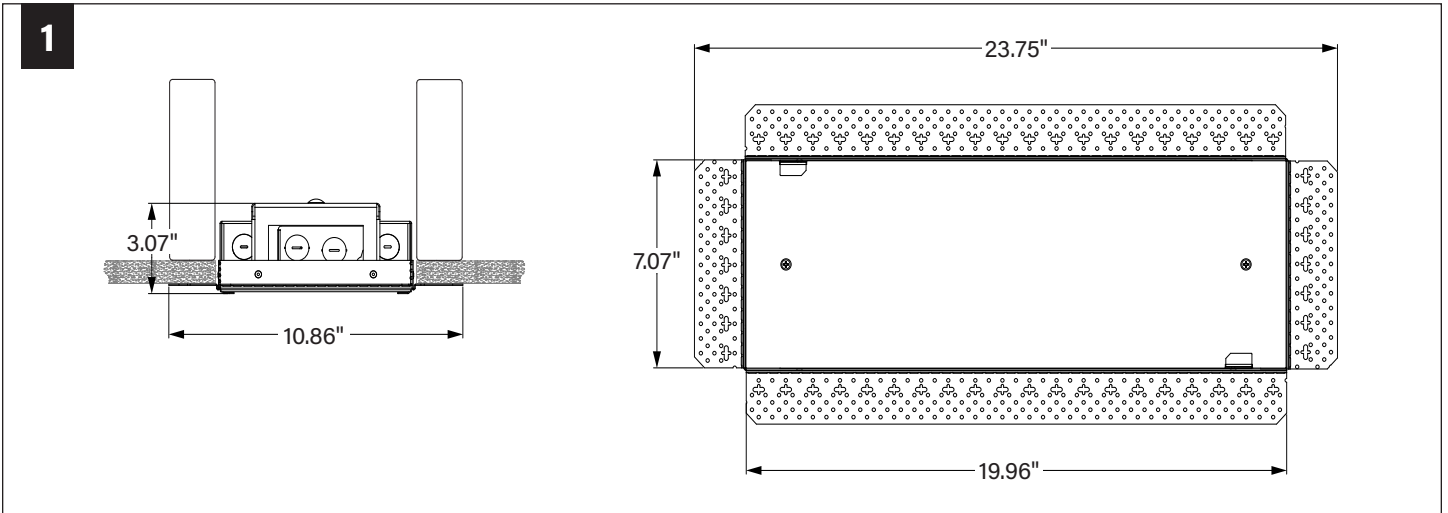
MUD-IN REMOTE POWER BOX

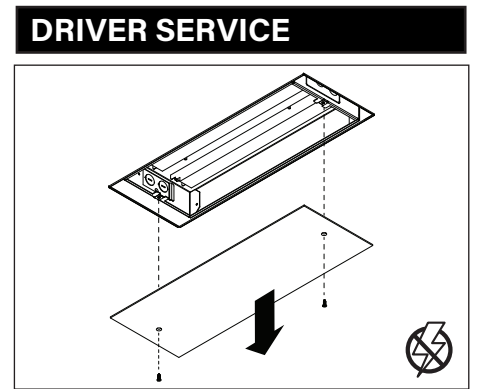
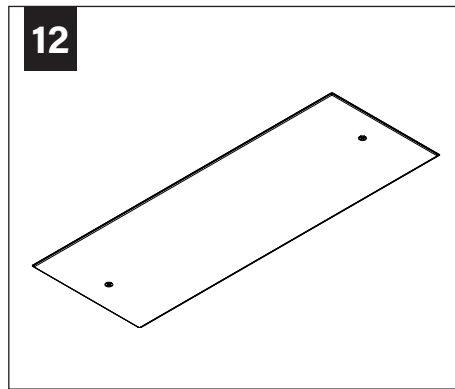
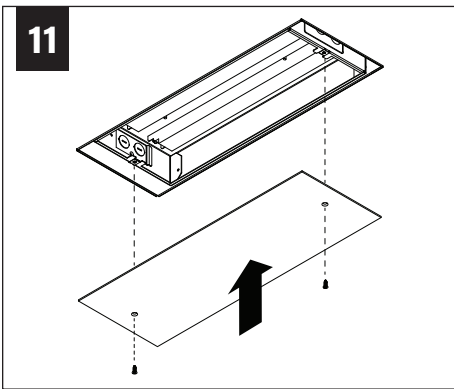
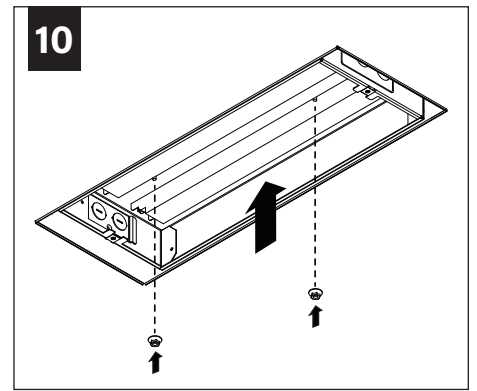
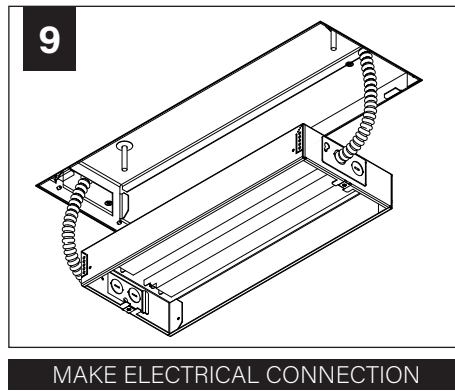
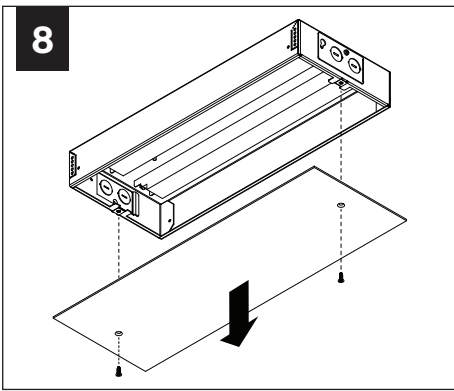
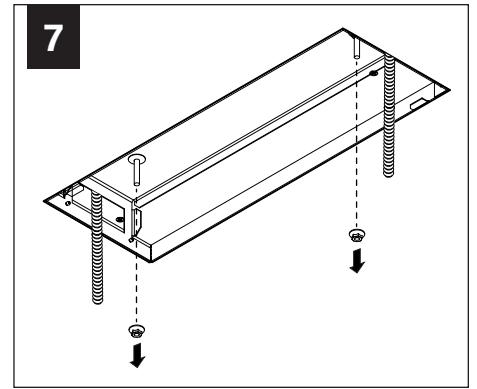
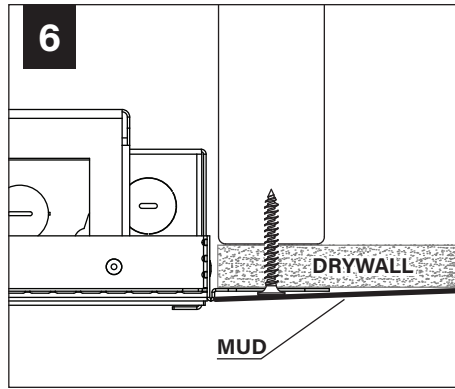
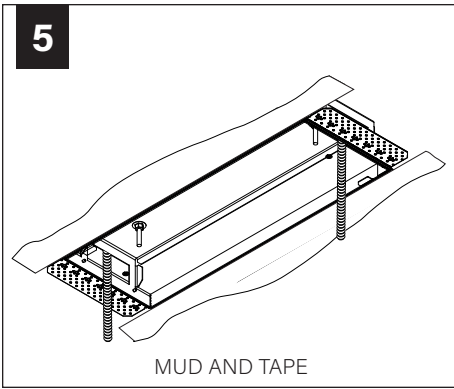
# J-BOX

## 4" OCTAGONAL J-BOX REQUIRED



## REMOTE POWER BOX - MUD-IN DRYWALL





**ACOUSTIC SHADE AND LED MODULE**

