

# seem 4™ grid ceiling

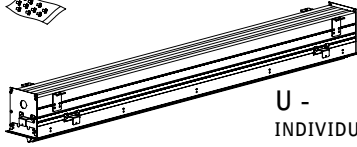
FSM4A



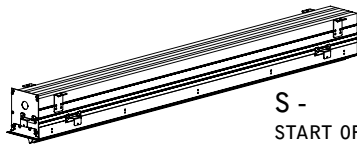
FOCAL POINT®

**! CONFIGURATIONS ARE RUN SPECIFIC, PLEASE CONSULT FACTORY DRAWINGS BEFORE BEGINNING INSTALLATION. !**

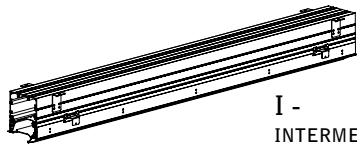
## FOCAL POINT



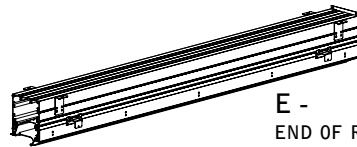
U -  
INDIVIDUAL



S -  
START OF RUN



I -  
INTERMEDIATE



E -  
END OF RUN

## PARTS LISTS

**PARTS SHIPPED INSTALLED**

TIE-WIRE BRACKET  
SCREW (72010)  
(8-18 x 1/4 SELF TAPPING  
SCREW)

TIE-WIRE BRACKET  
(12547)

JOINER BRACKET  
(12691)

**OPTIONAL SHIELDING SHIPPED LOOSE**

BAFFLE

CLEAR LENS

## KEY



POWER OFF



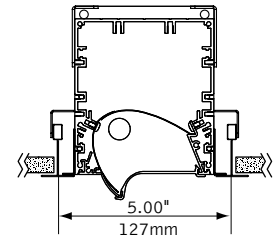
POWER ON



ATTENTION



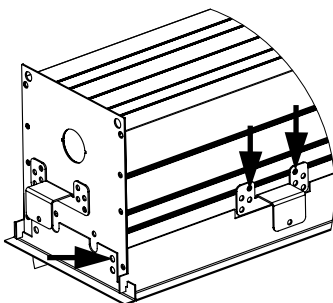
GRID SPACING FOR  
ALL GRID TYPES



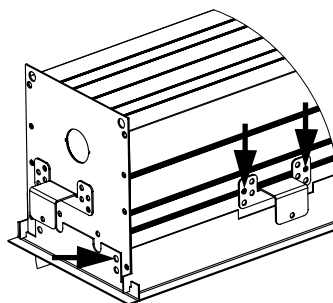
## RAIL & CLIP GUIDE



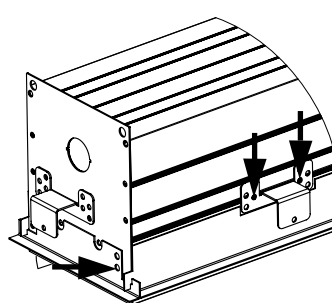
CHECK RAIL & CLIP POSITIONS BEFORE INSTALLATION. ARROWS INDICATE SCREW POSITIONS. TO CHANGE IN THE FIELD REMOVE AND REINSTALL ACCORDING TO DIAGRAMS BELOW.



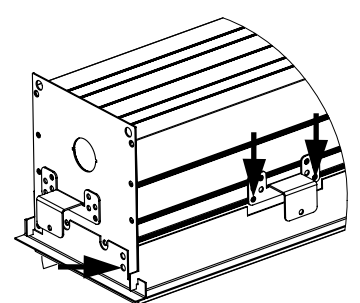
G1: STD 15/16" LAY-IN TILE  
G2: STD 9/16" LAY-IN TILE



G4: TALL 15/16" LAY-IN TILE  
G5: TALL 9/16" LAY-IN TILE



G3: 9/16" SLOT-TEE TEGULAR TILE  
T1: STD 15/16" TEGULAR TILE  
T2: STD 9/16" TEGULAR TILE  
T6: 9/16" NODE TEGULAR TILE

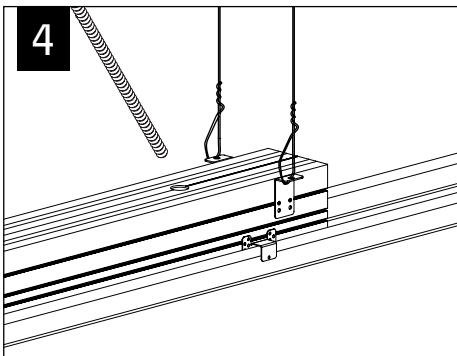
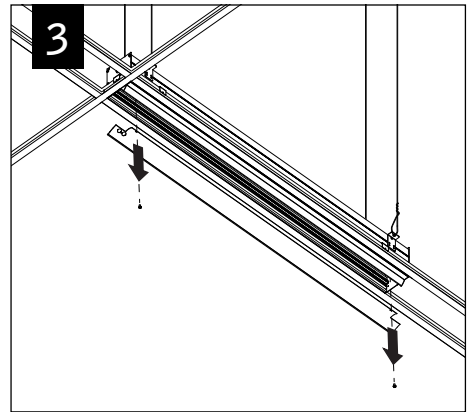
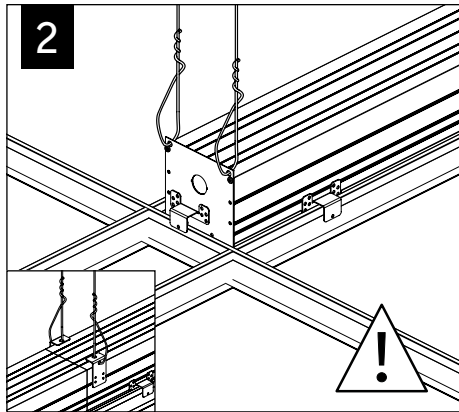
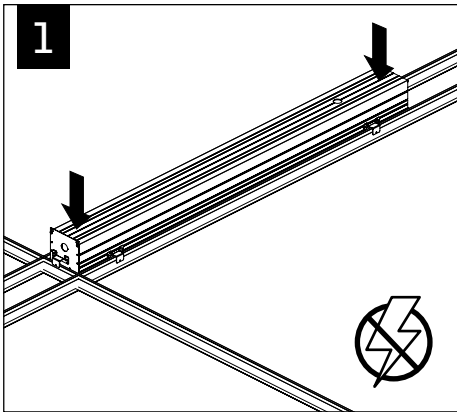


T4: TALL 15/16" TEGULAR TILE

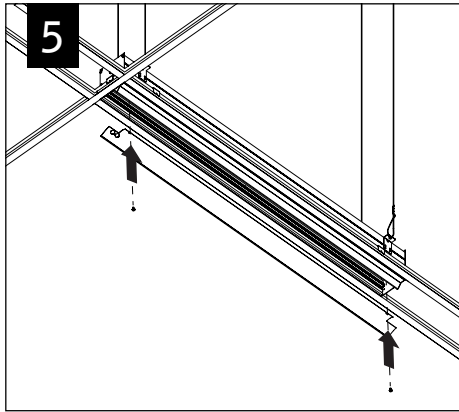


STD = 1-1/2" TEE HEIGHT, TALL = 1-11/16" TEE HEIGHT

Luminaires must be installed by a qualified electrician (check with local and national codes for proper installation).  
To prevent electrical shock, disconnect electrical supply before installation or servicing.

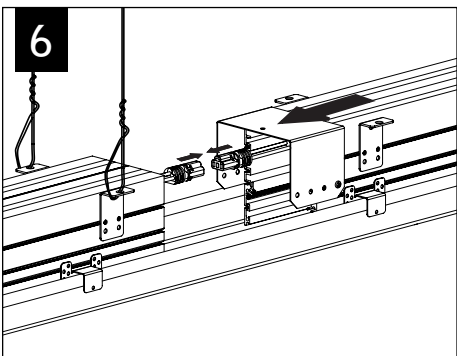


**MAKE ELECTRICAL CONNECTIONS**

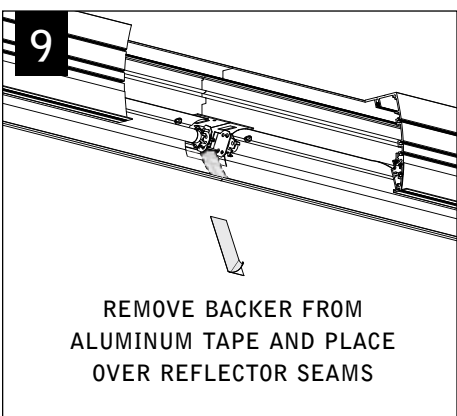
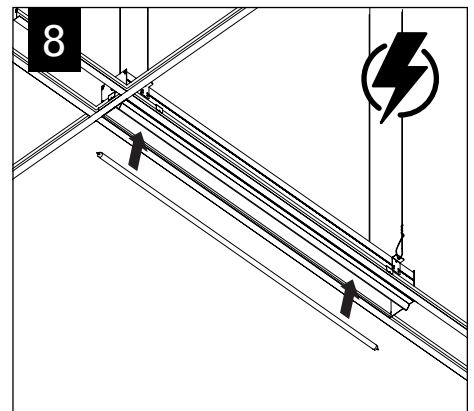
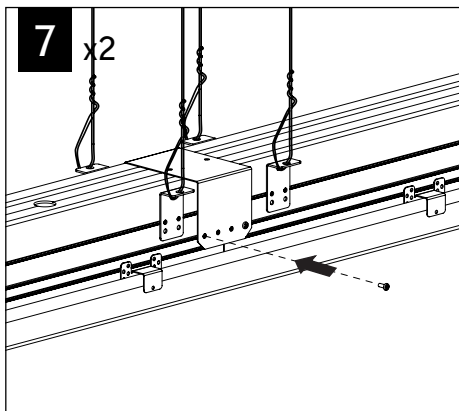


**INDIVIDUAL INSTALLATIONS  
SKIP TO STEP 8**

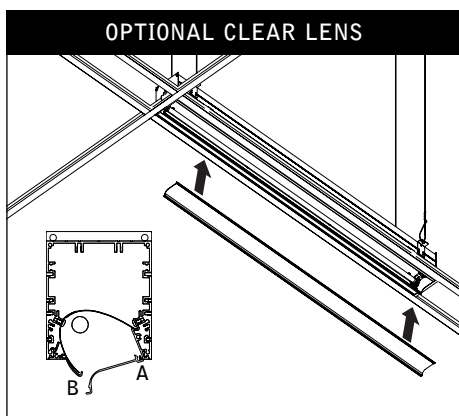
**ROW MOUNT INSTALLATIONS  
REPEAT STEPS 6 & 7 UNTIL  
ALL UNITS ARE INSTALLED**



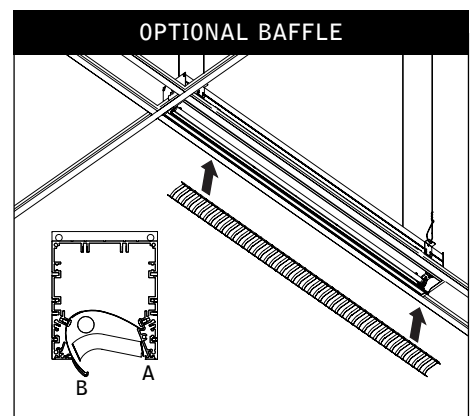
**MAKE THRU-WIRE CONNECTIONS**



**REMOVE BACKER FROM  
ALUMINUM TAPE AND PLACE  
OVER REFLECTOR SEAMS**



**OPTIONAL CLEAR LENS**



**OPTIONAL BAFFLE**

**BALLAST SERVICE**

**1 REMOVE SHIELDING IF NEEDED**

**2 REMOVE LAMP**

**3 REMOVE UPPER REFLECTOR  
(STEP 3 ABOVE)**

Contractor is responsible for adequately reinforcing walls and/or ceilings to support luminaire weight. Focal Point, LLC accepts no responsibility for inadequately reinforced walls and/or ceilings. The information contained in this drawing is the sole property of Focal Point, LLC. Any reproduction in part or whole without the written permission of Focal Point, LLC is prohibited.