

equation™ surface mount/suspended

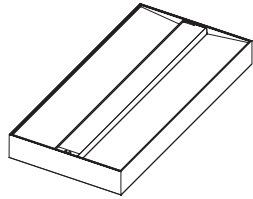
FEQ-14 | FEQ-22 | FEQ-24



FOCAL POINT®

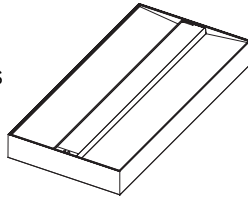
FOCAL POINT

SURFACE MOUNT



SUSPENDED

UNIVERSAL
SUSPENSION
SYSTEM - SHIPS
SEPARATELY



LUMINAIRE WEIGHTS

1x4 - 19 LBS

2x2 - 17 LBS

2x4 - 29 LBS

KEY



POWER OFF



POWER ON

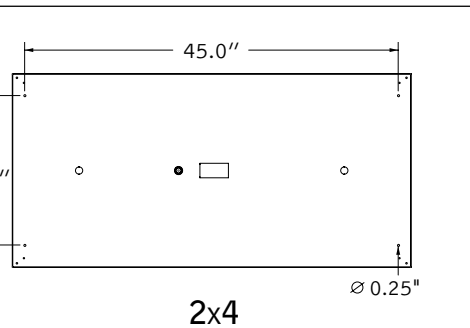
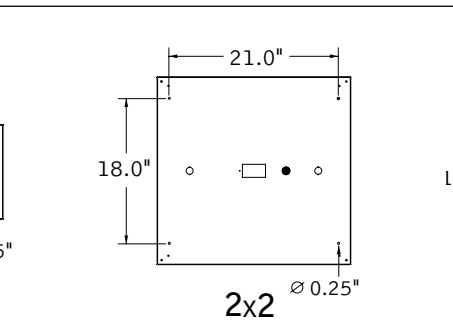
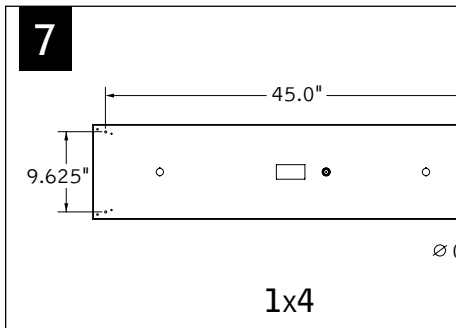
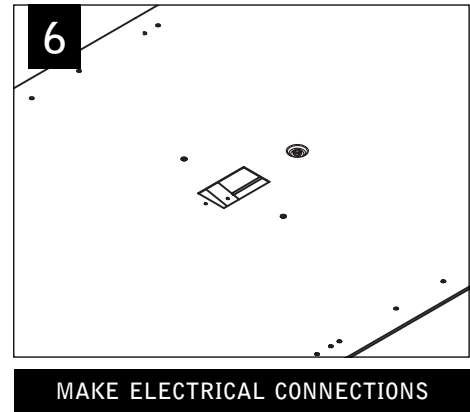
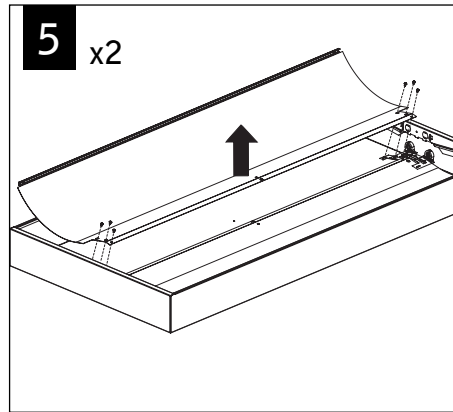
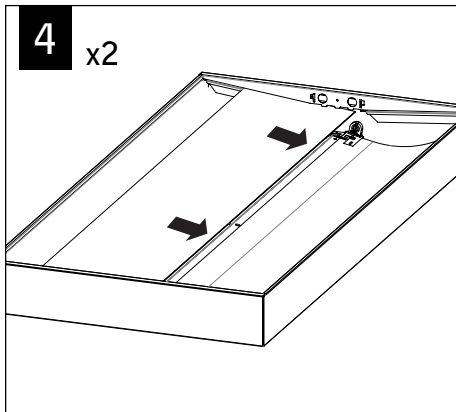
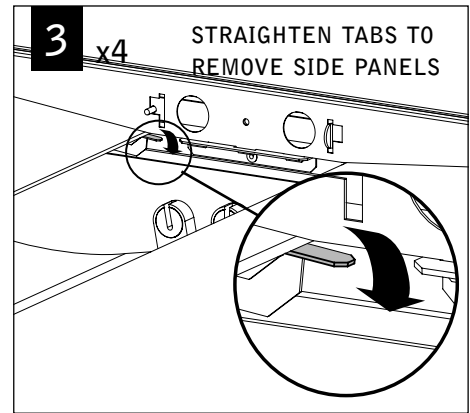
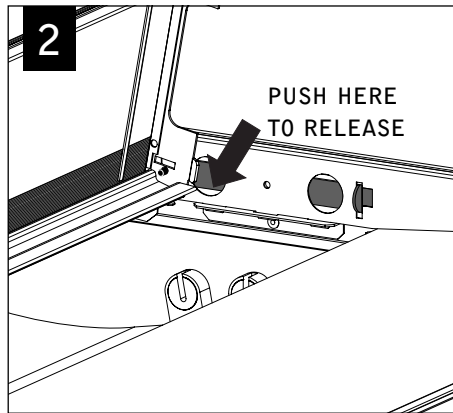
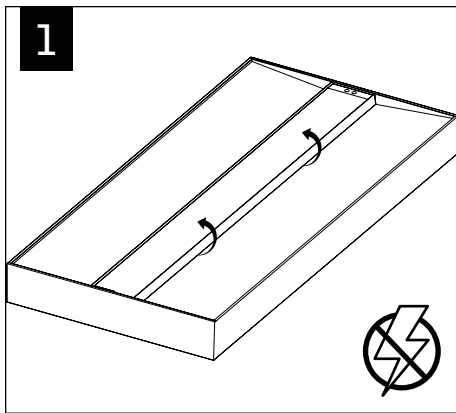


ATTENTION



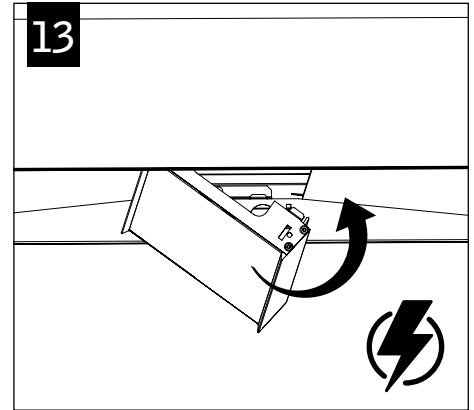
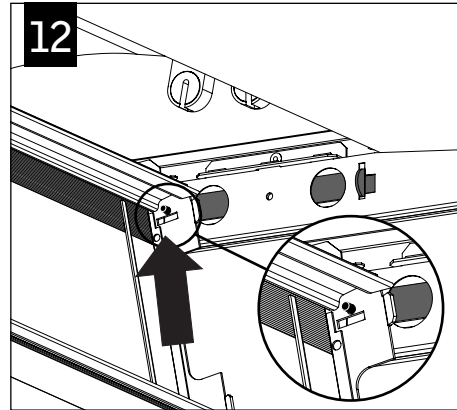
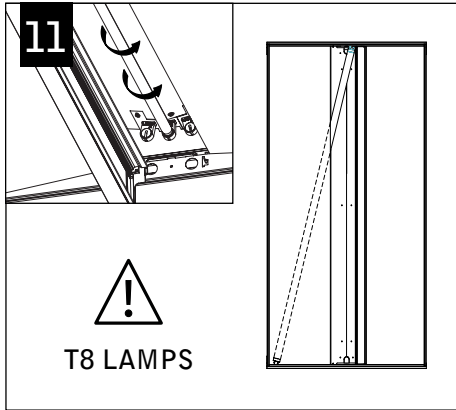
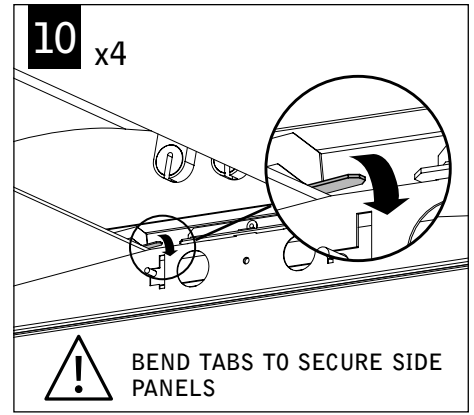
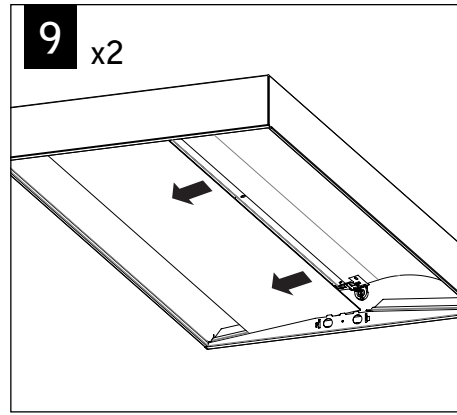
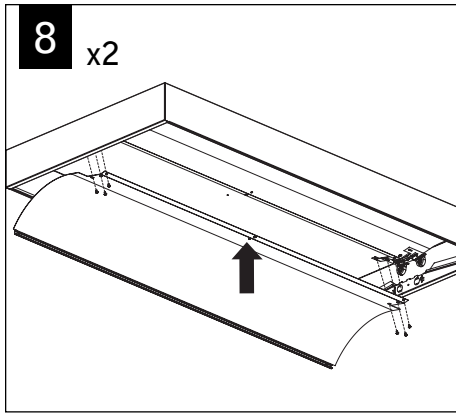
ADDITIONAL
INSTRUCTIONS

SURFACE MOUNT

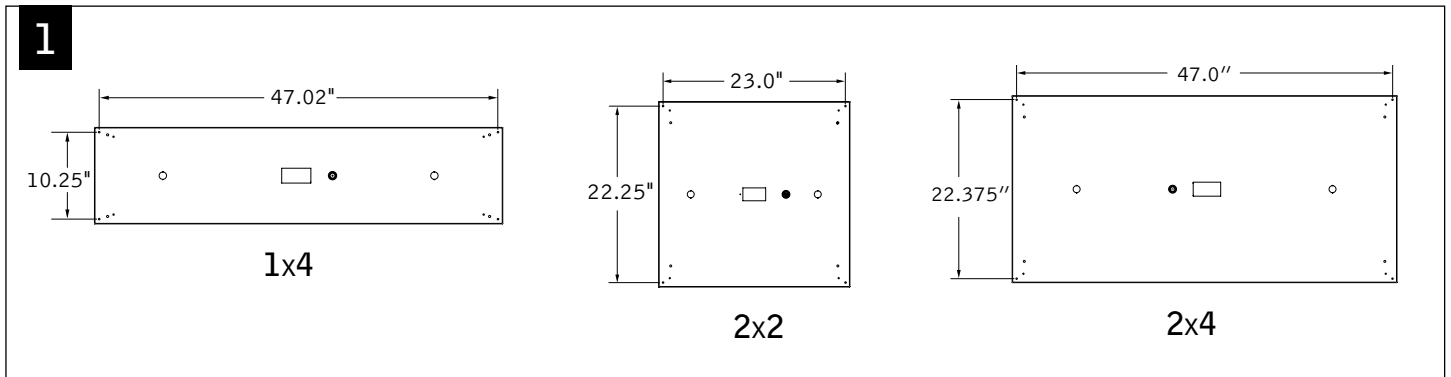


SECURE TO STRUCTURE ABOVE USING APPROPRIATE FASTENERS (BY OTHERS)

Luminaires must be installed by a qualified electrician (check with local and national codes for proper installation).
To prevent electrical shock, disconnect electrical supply before installation or servicing.



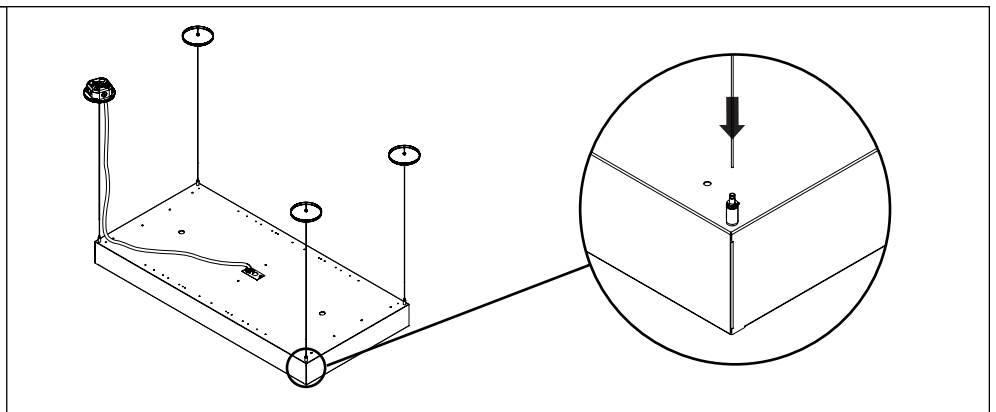
SUSPENDED



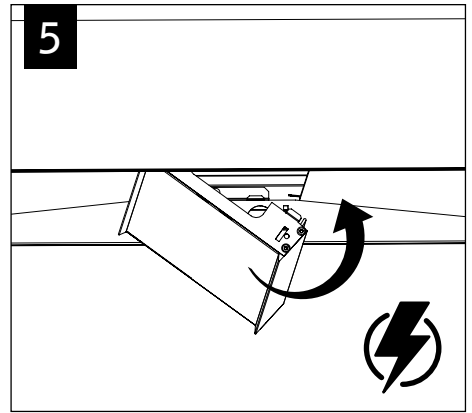
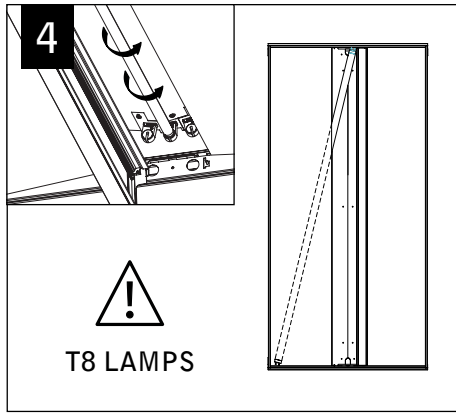
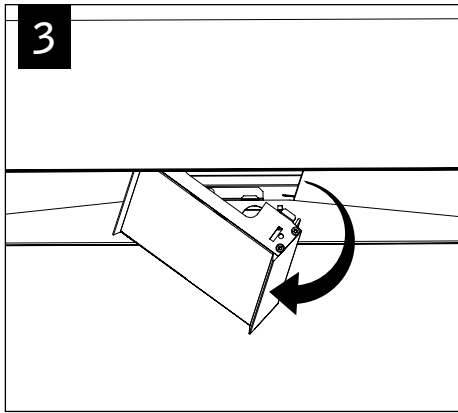
2

FOLLOW FOCAL POINT INSTRUCTIONS FOR UNIVERSAL SUSPENSION SYSTEM ASSEMBLY. SEE IS0166

I



Luminaires must be installed by a qualified electrician (check with local and national codes for proper installation).
To prevent electrical shock, disconnect electrical supply before installation or servicing.



BALLAST SERVICE

FOLLOW SURFACE
MOUNT STEPS 1-5
ON PAGE 1

Contractor is responsible for adequately reinforcing walls and/or ceilings to support luminaire weight. Focal Point, LLC accepts no responsibility for inadequately reinforced walls and/or ceilings. The information contained in this drawing is the sole property of Focal Point, LLC. Any reproduction in part or whole without the written permission of Focal Point, LLC is prohibited.