

ID "SO" SQUARE OVERLAP HOUSING

SAFETY AND INSTALLATION INSTRUCTIONS

LUMINAIRES MUST BE INSTALLED BY A QUALIFIED ELECTRICIAN (CHECK WITH LOCAL AND NATIONAL CODES FOR PROPER INSTALLATION). TO PREVENT ELECTRICAL SHOCK, DISCONNECT ELECTRICAL SUPPLY BEFORE INSTALLATION OR SERVICING.

WARNING:

- Installations without Focal Point supplied transformers and trims voids the Focal Point warranty and the UL listing.
- Do not install aperture of unit closer than 6" from curtains, fabrics or combustible materials.
- Installation shall comply with local electrical codes and the NEC.
- Install with 1/2" EMT conduit or BH bar hanger accessory.
- Install housing in a manner to permit access to components and splice connections which may require service.
- In grid ceiling installation, support fixture from structure above in addition to bar hangers and conduit.
- Use 90°C supply wiring.
- The recessed luminaire is thermally protected, a blinking light may indicated over-heating. Check to ensure lamp wattage is not higher than as specified on the housing label.
- Inspect to ensure that housing will not move when the ceiling and trim is installed.

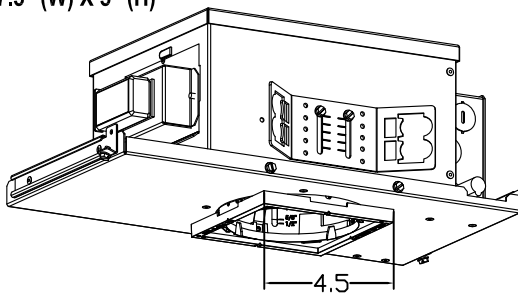
Notes: It is strongly recommended that the electrical contractor, drywall contractor, and general contractor review these installation instructions to ensure adequate time and coordination of trades is planned. Failure to do so may result in unsatisfactory finished installation.

For OVERLAP mounted trims, the basic installation consists of a two step process for the ID fixtures:

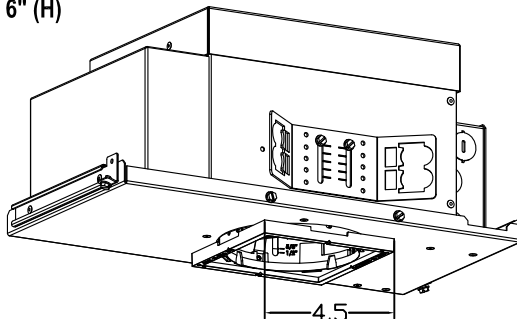
1. Rough in housing, adjust adaptor plate for squareness and alignment to walls (fine tune adaptor plate before drywall).
2. Install trim.

A. Housing dimensions are as follows:

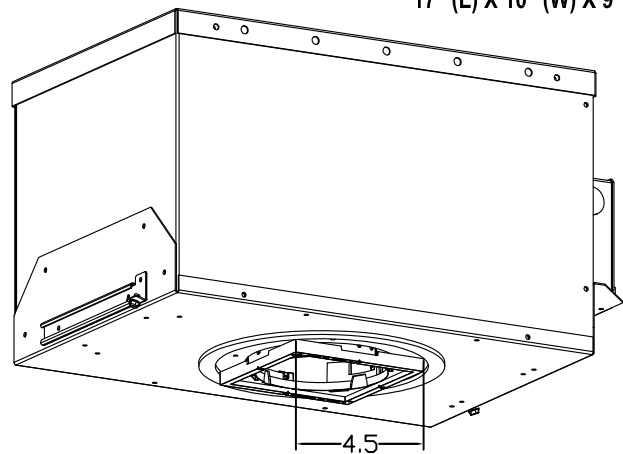
FD4 SERIES HOUSING
NON-IC HALOGEN HOUSING
15" (L) X 7.5" (W) X 5" (H)



FM4 SERIES HOUSING
IC - RATED METAL HALIDE HOUSING
15" (L) X 7.5" (W) X 6" (H)



FD4 SERIES HOUSING
IC - RATED HALOGEN HOUSING
17" (L) X 10" (W) X 9" (H)



CONTRACTOR IS RESPONSIBLE FOR ADEQUATELY REINFORCING WALLS AND/OR CEILINGS TO SUPPORT LUMINAIRE WEIGHT. FOCAL POINT, L.L.C. ACCEPTS NO RESPONSIBILITY FOR INADEQUATELY REINFORCED WALLS AND/OR CEILINGS.

THE INFORMATION CONTAINED IN THIS DRAWING IS THE SOLE PROPERTY OF FOCAL POINT LLC. ANY REPRODUCTION IN PART OR WHOLE WITHOUT THE WRITTEN PERMISSION OF FOCAL POINT LLC IS PROHIBITED. 2008 © FOCAL POINT LLC



FOCAL POINT

INSTALLATION GUIDE NO.

ISO241

DWG. NO.

REV. B