

FCMR 11 - CMR 1x1

SAFETY AND INSTALLATION INSTRUCTIONS

FIXTURES MUST BE INSTALLED BY A QUALIFIED ELECTRICIAN (CHECK WITH LOCAL AND NATIONAL CODES FOR PROPER INSTALLATION). TO PREVENT ELECTRICAL SHOCK, DISCONNECT ELECTRICAL SUPPLY BEFORE INSTALLATION OR SERVICING.

FCMR 11 GRID MOUNT

FOR USE IN MRI FACILITIES USE NON FERROUS MOUNTING HARDWARE

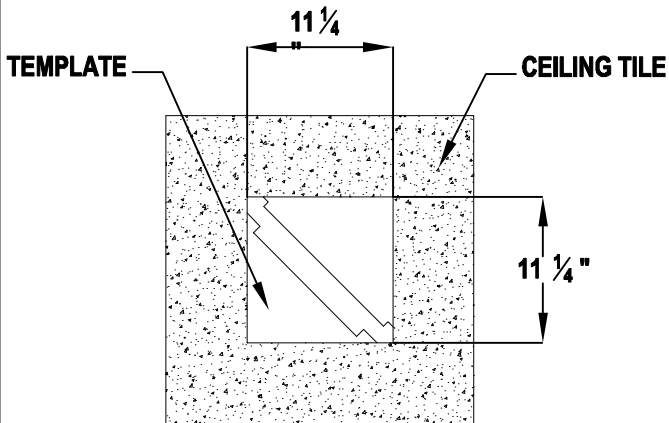


FIGURE 1

1. CUT OUT OUTSIDE SQUARE OF CARDBOARD TEMPLATE LOCATED ON LUMINAIRE BOX. USE TEMPLATE FOR CUTTING LUMINAIRE OPENING (11 1/4" X 11 1/4") IN DESIRED LOCATION IN CEILING TILE. (FIG. 1)

2. AFTER CUTTING SQUARE OPENING, CUT INSIDE PATTERN OUT OF SQUARE TEMPLATE. (FIG. 2)

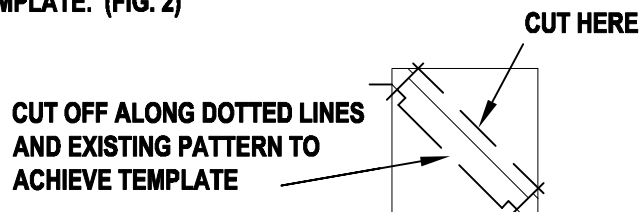
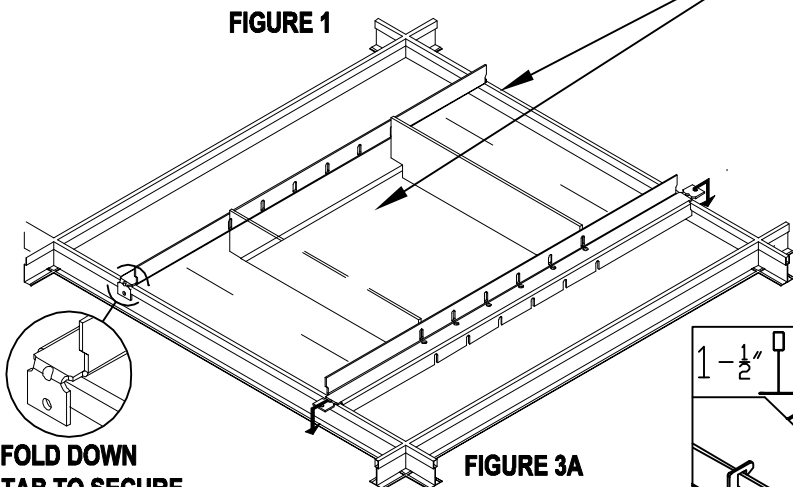


FIGURE 2



3. USE INSIDE TEMPLATE FROM STEP 2 TO LOCATE (2) SPANNER BARS (SUPPLIED BY FPL) ON EACH SIDE OF LUMINAIRE OPENING AS SHOWN. (FIGURE 3A)

NOTE: IT MIGHT BE NECESSARY TO INVERT THE SPANNER BARS TO ACHIEVE THE PROPER LUMINAIRE HEIGHT. (FIGURE 3B)

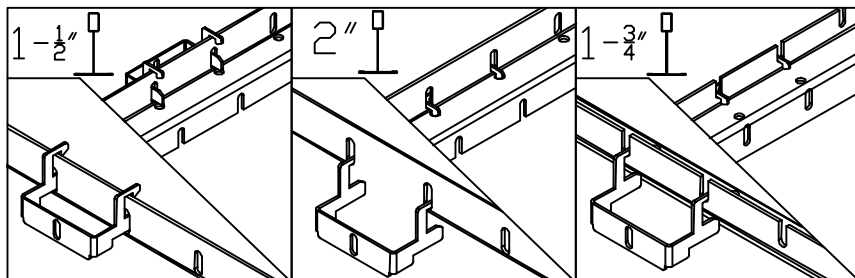
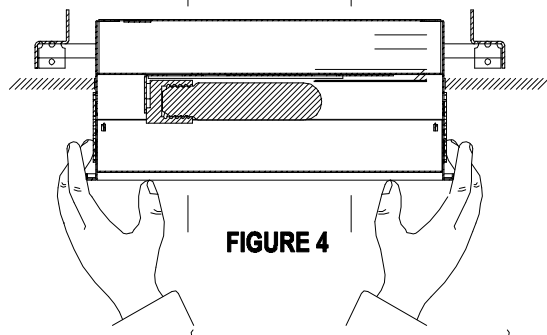


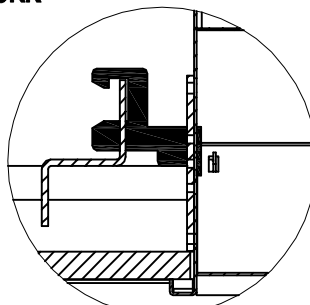
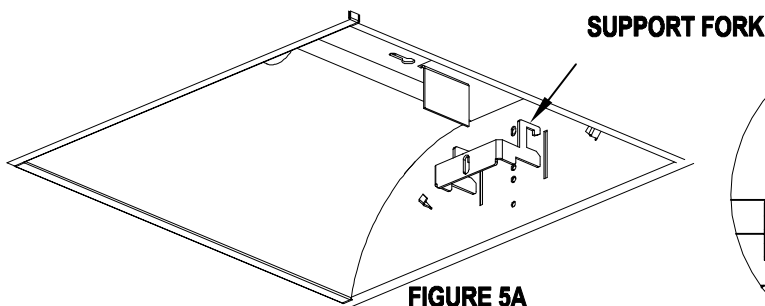
FIGURE 3B



4. LIFT LUMINAIRE INTO OPENING WITH ENDS PARALLEL TO HANGERS UNTIL FLUSH WITH CEILING TILE AS SHOWN. (FIG. 4)

5. INSERT SUPPORT FORK THROUGH SLOTS IN HOUSING, ENGAGE FORK OVER HANGER, AND SECURE WITH SUPPLIED #8 SCREW. REPEAT PROCEDURE FOR OTHER SIDE. (FIG. 5A & 5B)

6. CONNECT POWER TO LUMINAIRE VIA ACCESS PLATE LOCATED ON TOP OF HOUSING AND INSTALL LAMPS.



CONTRACTOR IS RESPONSIBLE FOR ADEQUATELY REINFORCING WALLS AND/OR CEILINGS TO SUPPORT FIXTURE WEIGHT. FOCAL POINT, L.L.C. ACCEPTS NO RESPONSIBILITY FOR INADEQUATELY REINFORCED WALLS AND/OR CEILINGS.

THE INFORMATION CONTAINED IN THIS DRAWING IS THE SOLE PROPERTY OF FOCAL POINT LLC. ANY REPRODUCTION IN PART OR WHOLE WITHOUT THE WRITTEN PERMISSION OF FOCAL POINT LLC IS PROHIBITED. 2006 © FOCAL POINT LLC



INSTALLATION GUIDE NO.

IS0226

DWG. NO.

REV. B

FCMR 11 FLANGE MOUNT
FOR USE IN MRI FACILITIES USE NON FERROUS MOUNTING HARDWARE

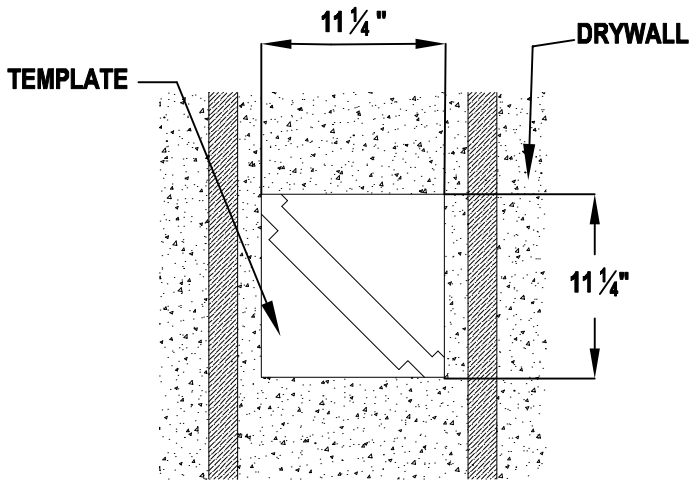


FIGURE 1

1. CUT OUT OUTSIDE SQUARE OF CARDBOARD TEMPLATE LOCATED ON LUMINAIRE BOX. USE TEMPLATE FOR CUTTING LUMINAIRE OPENING (11 1/4" X 11 1/4") IN DESIRED LOCATION BETWEEN STUDS IN DRYWALL. (FIG. 1)

2. CONNECT POWER TO LUMINAIRE VIA ACCESS PLATE LOCATED ON TOP OF HOUSING. (SEE FIG. 2)

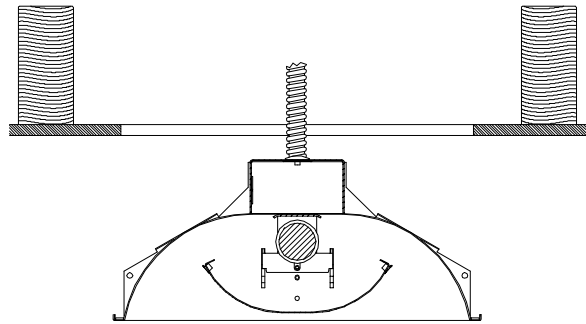


FIGURE 2

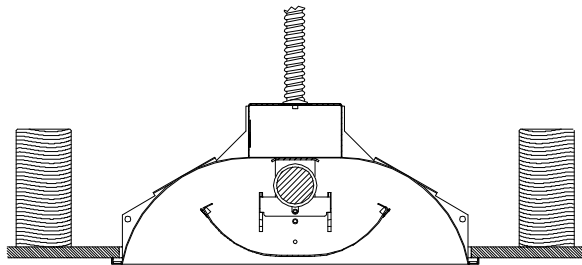


FIGURE 3

3. LIFT LUMINAIRE INTO OPENING UNTIL FLUSH WITH DRYWALL CEILING AS SHOWN. (FIG. 3)

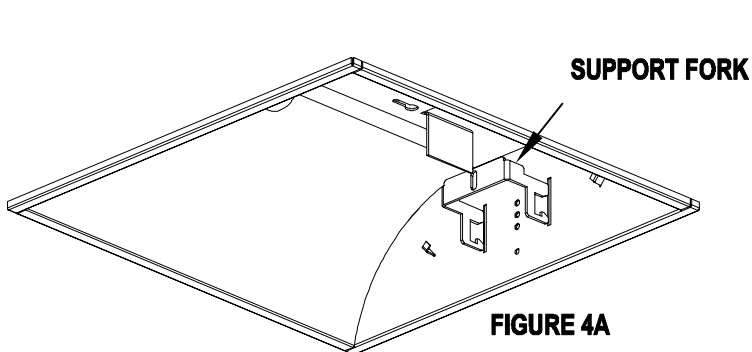


FIGURE 4A

4. INSERT SUPPORT FORK THROUGH SLOTS IN HOUSING, PRESS FORK DOWN UNTIL CONTACT IS MADE WITH DRYWALL CEILING, AND SECURE WITH SUPPLIED #8 SCREW. REPEAT PROCEDURE FOR OTHER SIDE. (FIG. 4A & 4B)

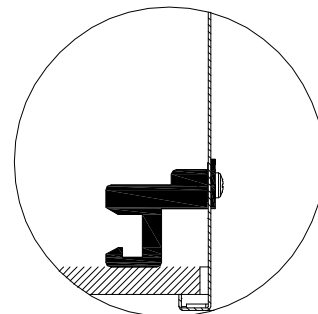


FIGURE 4B