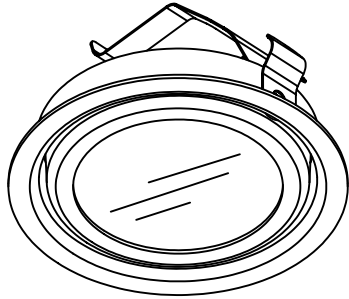


FAVA & FAVB WITH MR16

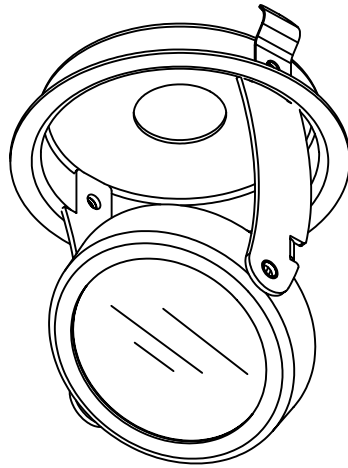
SAFETY AND INSTALLATION INSTRUCTIONS

FIXTURES MUST BE INSTALLED BY A QUALIFIED ELECTRICIAN (CHECK WITH LOCAL AND NATIONAL CODES FOR PROPER INSTALLATION). TO PREVENT ELECTRICAL SHOCK, DISCONNECT ELECTRICAL SUPPLY BEFORE INSTALLATION OR SERVICING.

CAUTION: LAMP AND TRIM WILL GET EXTREMELY HOT DURING USE. ALWAYS WEAR GLOVES TO PROTECT YOUR HANDS FROM BURNS. (USE ONLY 50W 12V MR16 LAMP MAX)

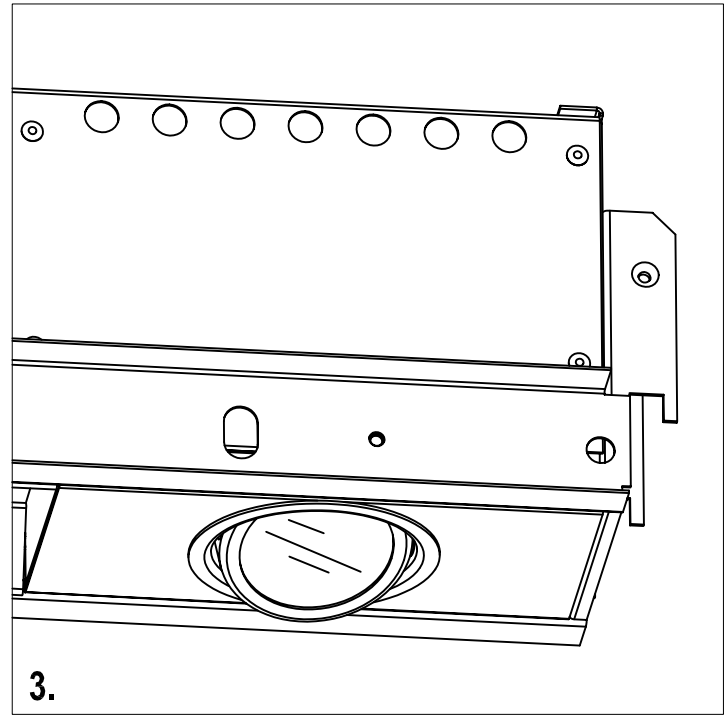
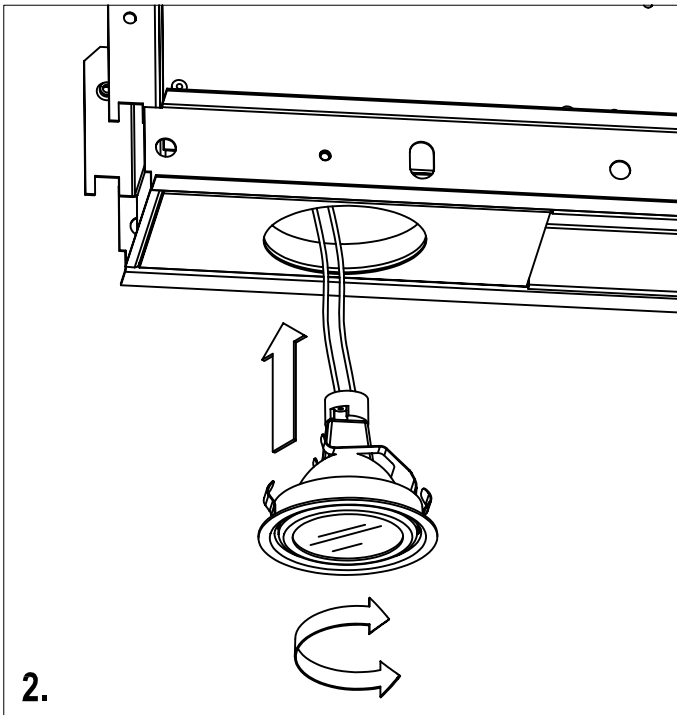
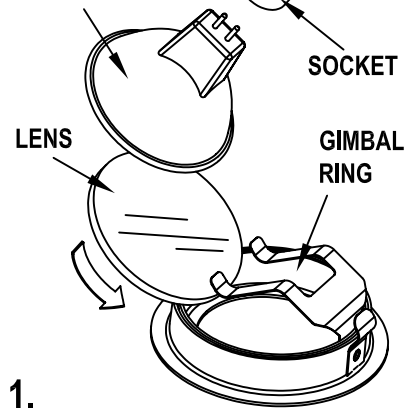


FLUSH MOUNT MR16 TRIM



EXTENDED YOKE MR16 TRIM

12V MR16 LAMP
(50W MAX)
BY OTHERS



TO INSTALL TRIM:

1. INSTALL LENS AND LAMP INTO GIMBAL RING AND PLUG LAMP INTO SOCKET.
2. ORIENT AIMING DIRECTION AND THEN INSERT TRIM INTO LUMINAIRE.
3. ADJUST AIMING ANGLE BY TILTING GIMBAL RING.

CONTRACTOR IS RESPONSIBLE FOR ADEQUATELY REINFORCING WALLS AND/OR CEILINGS TO SUPPORT FIXTURE WEIGHT. FOCAL POINT, L.L.C. ACCEPTS NO RESPONSIBILITY FOR INADEQUATELY REINFORCED WALLS AND/OR CEILINGS.

THE INFORMATION CONTAINED IN THIS DRAWING IS THE SOLE PROPERTY OF FOCAL POINT LLC. ANY REPRODUCTION IN PART OR WHOLE WITHOUT THE WRITTEN PERMISSION OF FOCAL POINT LLC IS PROHIBITED.

2005 © FOCAL POINT LLC



FOCAL POINT

INSTALLATION GUIDE NO.

ISO221

DWG. NO.

REV. A