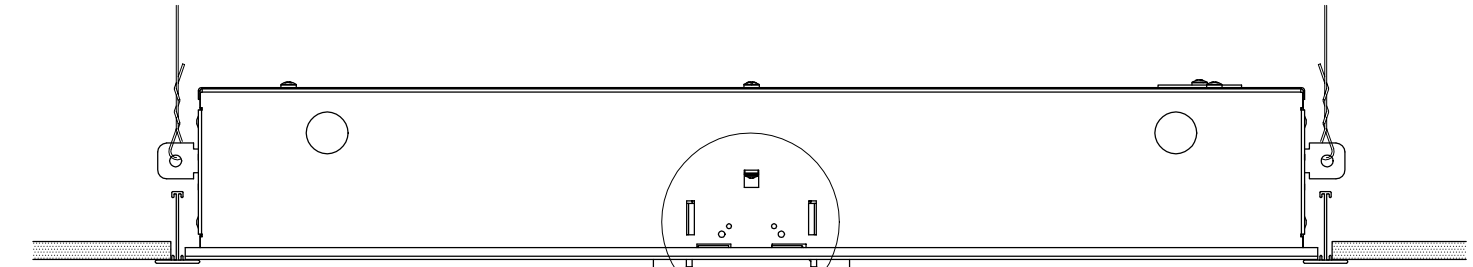


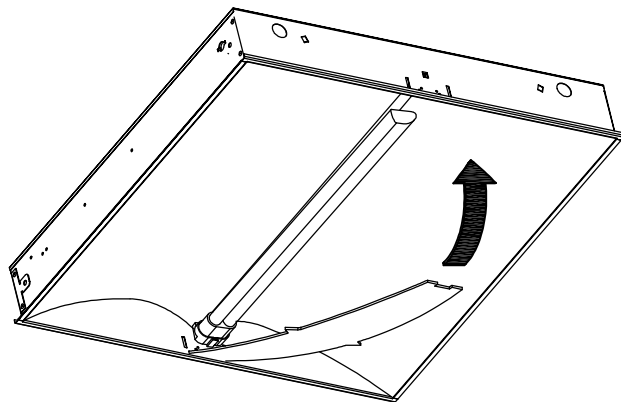
# FBD22

## SAFETY AND INSTALLATION INSTRUCTIONS

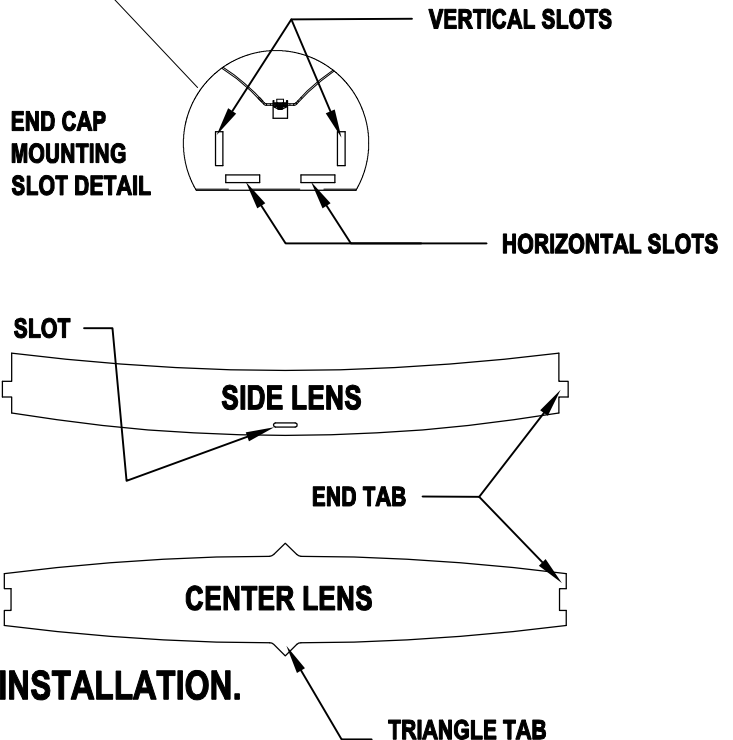
FIXTURES MUST BE INSTALLED BY A QUALIFIED ELECTRICIAN (CHECK WITH LOCAL AND NATIONAL CODES FOR PROPER INSTALLATION). TO PREVENT ELECTRICAL SHOCK, DISCONNECT ELECTRICAL SUPPLY BEFORE INSTALLATION OR SERVICING.



**FIXTURE TO BE SECURED BY CABLE (OR EQUIVALENT) UTILIZING BEND OUT TABS LOCATED ON 4 CORNERS OF FIXTURE. SECURE FIXTURE TO CROSS BEAM OR OTHER STRUCTURE.**



**CENTER LENS INSTALLATION**

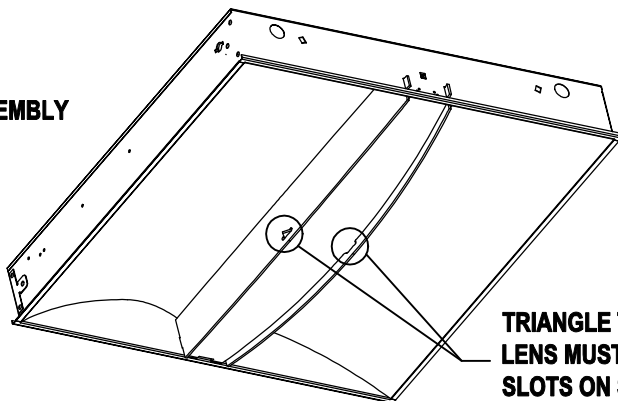


### LAMPS MUST BE INSTALLED PRIOR TO LENS INSTALLATION.

TO INSTALL LENSES:

1. REMOVE PROTECTIVE PAPER FROM (1) CENTER LENS AND (2) SIDE LENSES.
2. INSTALL CENTER LENS BY INSERTING END TABS INTO HORIZONTAL SLOTS ON ONE END CAP OF FIXTURE. FLEX LENS TO INSERT INTO OPPOSITE SIDE HORIZONTAL SLOTS.
3. INSTALL SIDE LENS BY INSERTING END TAB INTO VERTICAL SLOT ON END CAP OF FIXTURE. NOTE SLOT ON SIDE LENS SHOULD BE ORIENTED DOWN. FLEX LENS TO INSERT INTO OPPOSITE SIDE. AFTER BOTH TABS ARE IN PLACE, ALIGN CENTER LENS TRIANGLE TAB INTO SLOT OF SIDE LENS.
4. REPEAT STEP 3 FOR SECOND SIDE LENS. ADJUST LENSES AS NEEDED.

**FINAL LENS ASSEMBLY**



**TRIANGLE TABS ON CENTER LENS MUST LOCK INTO SLOTS ON SIDES LENS**

CONTRACTOR IS RESPONSIBLE FOR ADEQUATELY REINFORCING WALLS AND/OR CEILINGS TO SUPPORT FIXTURE WEIGHT. FOCAL POINT, L.L.C. ACCEPTS NO RESPONSIBILITY FOR INADEQUATELY REINFORCED WALLS AND/OR CEILINGS.

THE INFORMATION CONTAINED IN THIS DRAWING IS THE SOLE PROPERTY OF FOCAL POINT LLC. ANY REPRODUCTION IN PART OR WHOLE WITHOUT THE WRITTEN PERMISSION OF FOCAL POINT LLC IS PROHIBITED.

2003 © FOCAL POINT LLC



FOCAL POINT

INSTALLATION GUIDE NO.

ISO203

DWG. NO.

REV. A