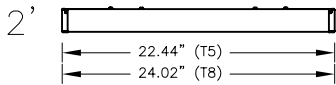


FCV26 - COVELIGHT26

SAFETY AND INSTALLATION INSTRUCTIONS

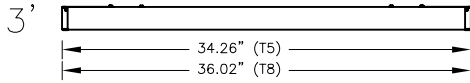
FIXTURES MUST BE INSTALLED BY A QUALIFIED ELECTRICIAN (CHECK WITH LOCAL AND NATIONAL CODES FOR PROPER INSTALLATION). TO PREVENT ELECTRICAL SHOCK, DISCONNECT ELECTRICAL SUPPLY BEFORE INSTALLATION OR SERVICING.



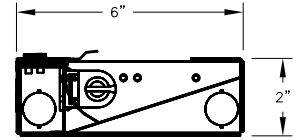
STANDARD NOMINAL FIXTURE LENGTHS 2',3',4',5',6',7' AND 8' ARE AVAILABLE TO BE INSTALLED INDIVIDUALLY OR IN CONTINUOUS ROW.

FIXTURE IS SHIPPED FULLY ASSEMBLED AS AN INDIVIDUAL MODULE THAT CAN BE USED INDEPENDENTLY OR IN COMBINATION WITH OTHER MODULES IN ANY SEQUENCE TO FORM PATTERNS.

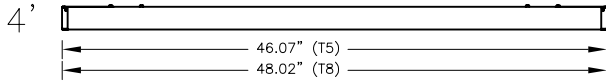
HOUSING LENGTHS OPTIMIZED FOR LAMP TYPE.



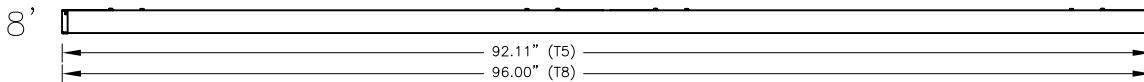
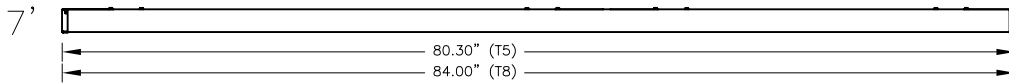
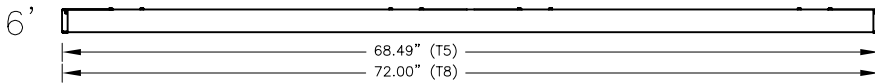
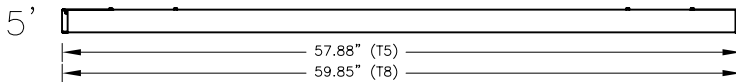
FIXTURES ARE PRE-WIRED WITH A 12 GAUGE 4 CONDUCTOR HARNESS THAT INCLUDES A SHARED COMMON AND GROUND.



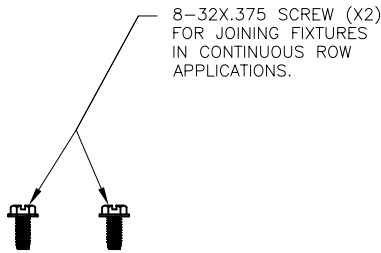
T8 PROFILE



T5 PROFILE

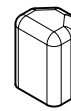


PARTS SUPPLIED BY FOCAL POINT



8-32X.375 SCREW (X2) FOR JOINING FIXTURES IN CONTINUOUS ROW APPLICATIONS.

FIXTURES ARE SUPPLIED WITH A DUST CAP FOR THE RECEPTACLE END OF THE WIRING HARNESS, WHICH MUST BE REMOVED FOR CONTINUOUS ROW APPLICATIONS.



DUST COVER FOR RECEPTACLE END.

CONTRACTOR IS RESPONSIBLE FOR ADEQUATELY REINFORCING WALLS AND/OR CEILINGS TO SUPPORT FIXTURE WEIGHT. FOCAL POINT, L.L.C. ACCEPTS NO RESPONSIBILITY FOR INADEQUATELY REINFORCED WALLS AND/OR CEILINGS.

THE INFORMATION CONTAINED IN THIS DRAWING IS THE SOLE PROPERTY OF FOCAL POINT LLC. ANY REPRODUCTION IN PART OR WHOLE WITHOUT THE WRITTEN PERMISSION OF FOCAL POINT LLC IS PROHIBITED. 2006 © FOCAL POINT LLC



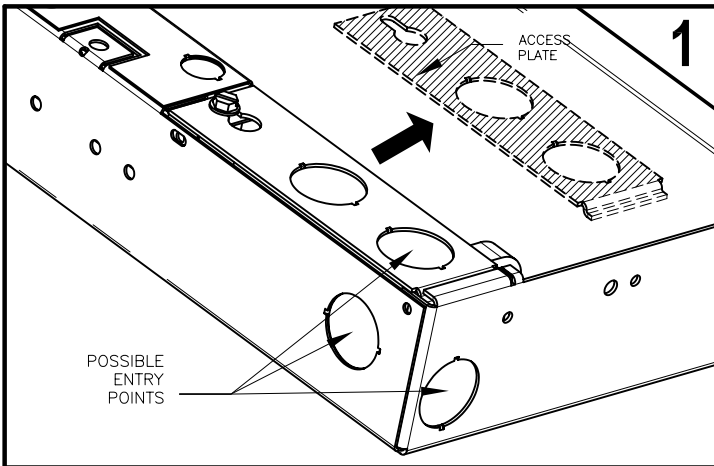
FOCAL POINT

INSTALLATION GUIDE NO.

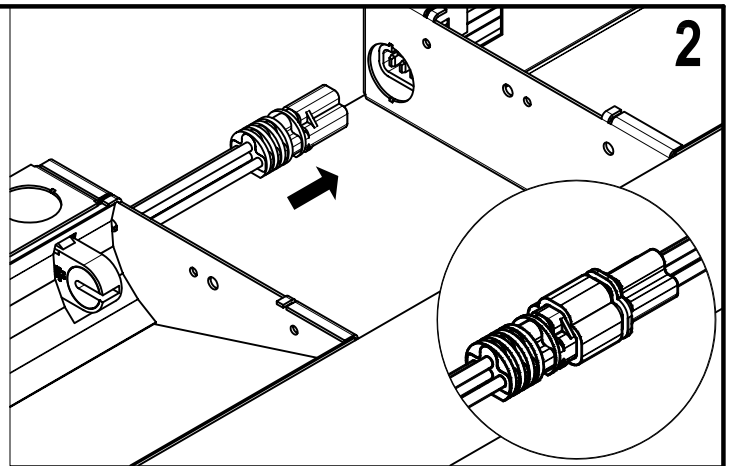
ISO195

DWG. NO.

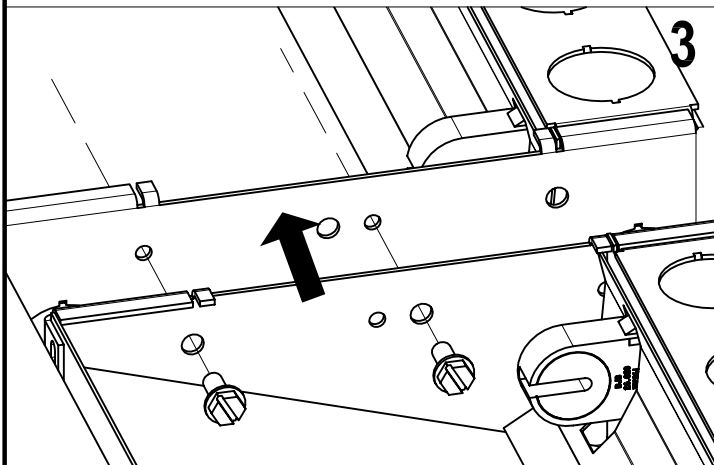
REV. C



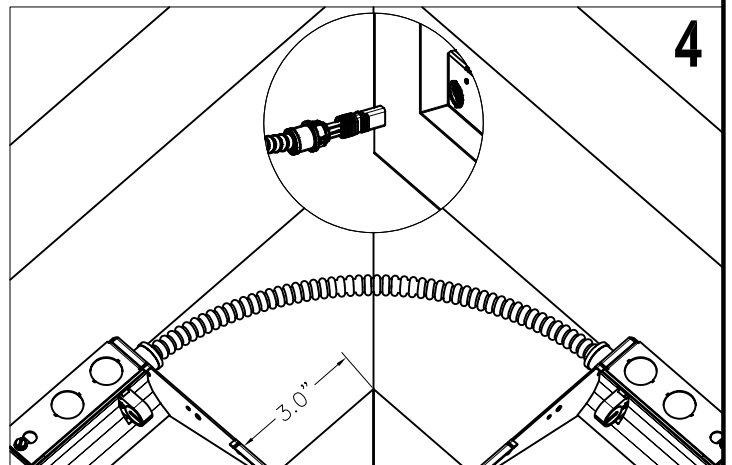
REMOVE ACCESS PLATE ON FIXTURE, SELECT FEED LOCATION AND MAKE ELECTRICAL CONNECTIONS IN J-BOX.



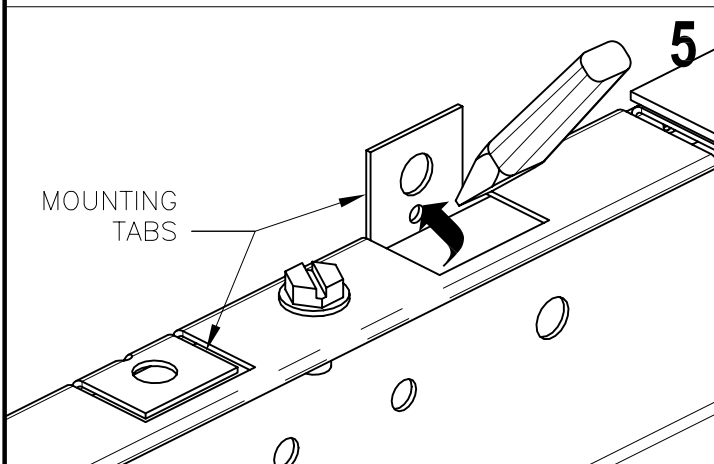
POSITION FIXTURES IN COVE, ALIGN ADJACENT FIXTURE AND REMOVE ACCESS PLATES TO ACCESS CONNECTORS. REMOVE K.O.'S AND PULL SMALLER CONNECTOR INTO ADJACENT FIXTURE. REMOVE DUST COVER AND CONNECT MOLDED PLUGS AND PUSH INTO WIRING COMPARTMENT. REPLACE ACCESS PLATES.



JOIN FIXTURES END TO END AND SECURE WITH 2 8-32 X .375 SCREWS.

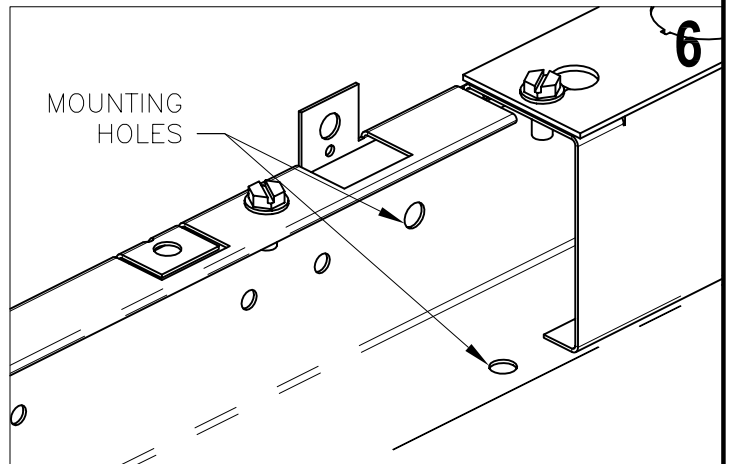


FOR CORNER CONDITIONS, CONNECT FIXTURES USING 18" FLEX WHIP WITH MOLDED CONNECTORS. A 3" SPACING FROM CORNER IS RECOMMENDED



TO SECURE FIXTURE TO WALL OF COVE:

MOUNTING TABS ARE PROVIDED TO SECURE TO WALL OF COVE WITHOUT REMOVING THE FIXTURE REFLECTOR. USING A FLAT BLADE SCREWDRIVER LIFT DESIRED TABS AND FASTEN TO WALL (WALL SCREWS NOT INCLUDED).



TO SECURE FIXTURE TO BOTTOM OF COVE:

TWO ALTERNATE MOUNTING HOLES ARE LOCATED INSIDE THE FIXTURE AT EACH END AND CAN BE ACCESSED BY REMOVING THE REFLECTOR, ONE FOR SECURING TO BOTTOM OF COVE AND ONE FOR SECURING TO WALL OF COVE.