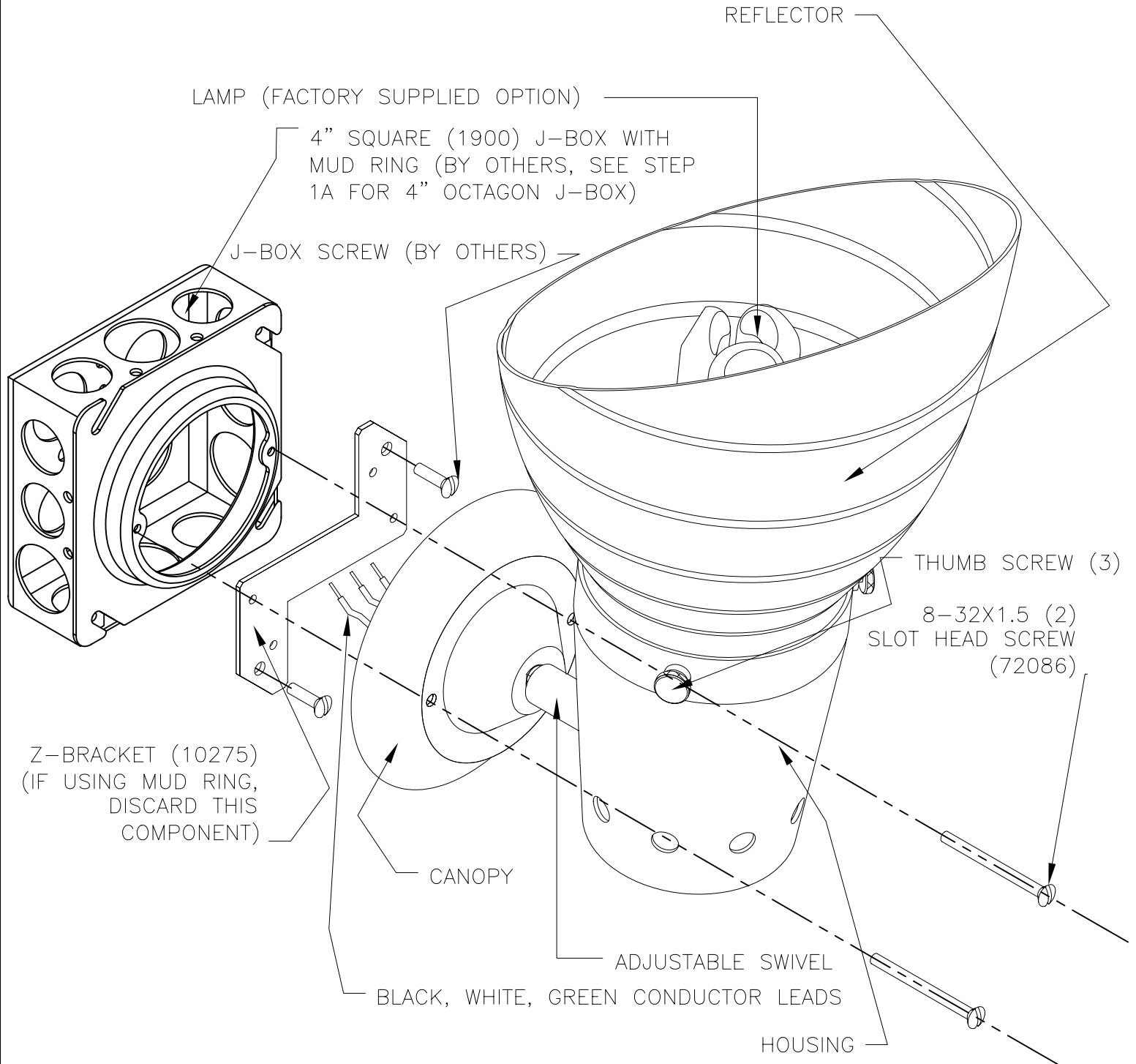


GROOVE WALL MOUNT - FGRA

SAFETY AND INSTALLATION INSTRUCTIONS

FIXTURES MUST BE INSTALLED BY A QUALIFIED ELECTRICIAN (CHECK WITH LOCAL AND NATIONAL CODES FOR PROPER INSTALLATION). TO PREVENT ELECTRICAL SHOCK, DISCONNECT ELECTRICAL SUPPLY BEFORE INSTALLATION OR SERVICING.



CONTRACTOR IS RESPONSIBLE FOR ADEQUATELY REINFORCING WALLS AND/OR CEILINGS TO SUPPORT FIXTURE WEIGHT. FOCAL POINT, L.L.C. ACCEPTS NO RESPONSIBILITY FOR INADEQUATELY REINFORCED WALLS AND/OR CEILINGS.

THE INFORMATION CONTAINED IN THIS DRAWING IS THE SOLE PROPERTY OF FOCAL POINT L.L.C. ANY REPRODUCTION IN PART OR WHOLE WITHOUT THE WRITTEN PERMISSION OF FOCAL POINT L.L.C. IS PROHIBITED.

2005 © FOCAL POINT LLC



INSTALLATION GUIDE NO.

IS0189

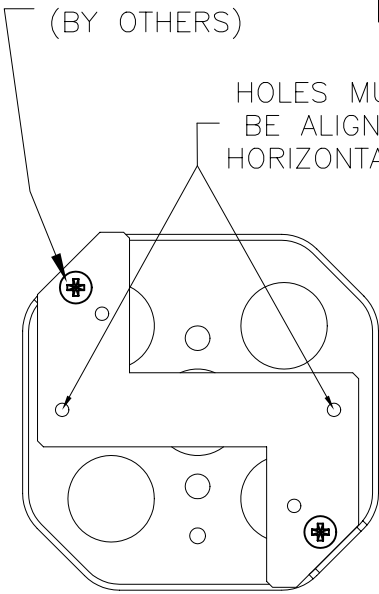
DWG. NO.

REV. C

J-BOX SCREW
(BY OTHERS)

1A

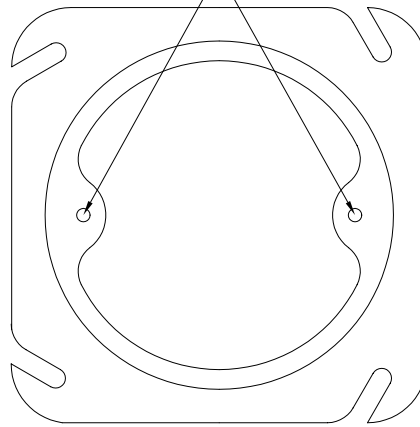
HOLES MUST
BE ALIGNED
HORIZONTALLY



IF USING 4" OCTAGONAL J-BOX. Z-BRACKET MUST BE POSITIONED SO HOLES ARE HORIZONTAL AS SHOWN, REGARDLESS OF J-BOX POSITION. BRACKET IS UNIVERSAL FOR LOCATION OF J-BOX SCREWS.

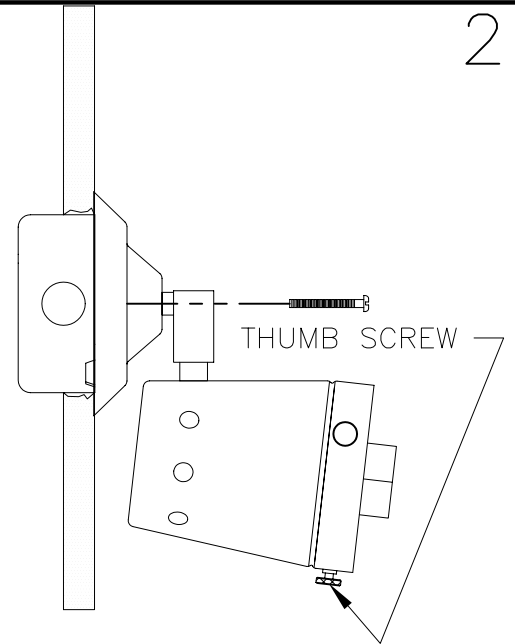
HOLES MUST
BE ALIGNED
HORIZONTALLY

1B



IF USING 4" SQUARE J-BOX, A MUD RING MUST BE USED FOR INSTALLATION. THE Z-BRACKET WILL NOT BE USED IN THIS APPLICATION. THE MUD RING MUST BE POSITIONED AS SHOWN. SECURE FIXTURE TO MUD RING USING THE 1.5" SCREWS SUPPLIED.

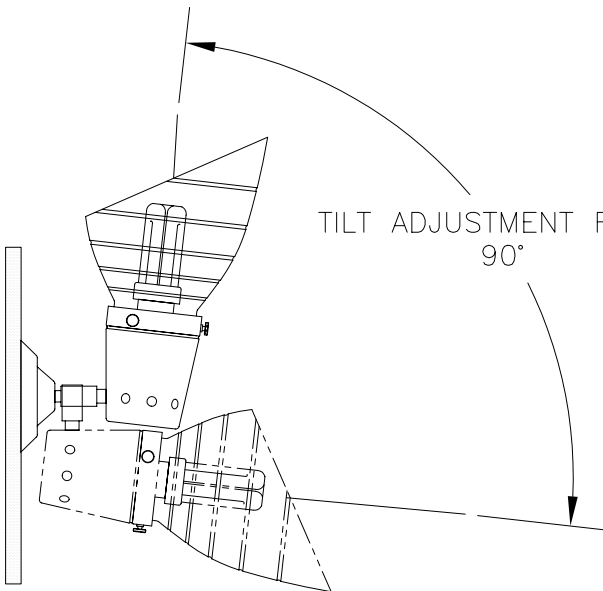
2



BEFORE INSTALLATION ONTO J-BOX, REMOVE REFLECTOR BY LOOSENING 3 THUMB SCREWS. MAKE POWER CONNECTIONS. TO INSTALL 1.5" LONG SCREWS (2), LOWER SWIVEL INTO POSITION AS SHOWN. AFTER FIXTURE IS SECURE, INSTALL LAMP AND REINSTALL REFLECTOR. TO INSTALL LAMP: INSERT LAMP INTO SOCKET AND TWIST CLOCKWISE TO LOCK.

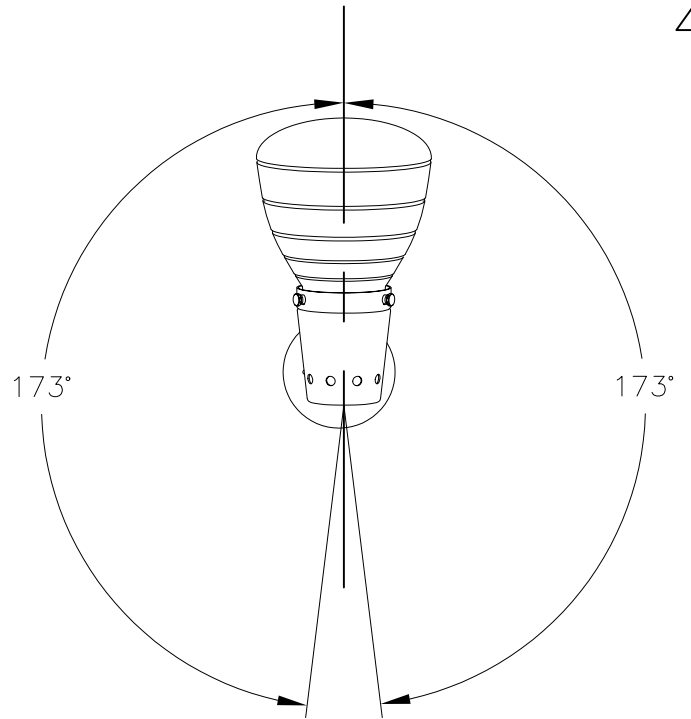
3

TILT ADJUSTMENT RANGE
90°



FOR WALL OR CEILING MOUNT:
SWIVEL ADJUSTS AS SHOWN IN
STEPS 3 AND 4.

4



SWIVEL ROTATES 346° AS SHOWN.