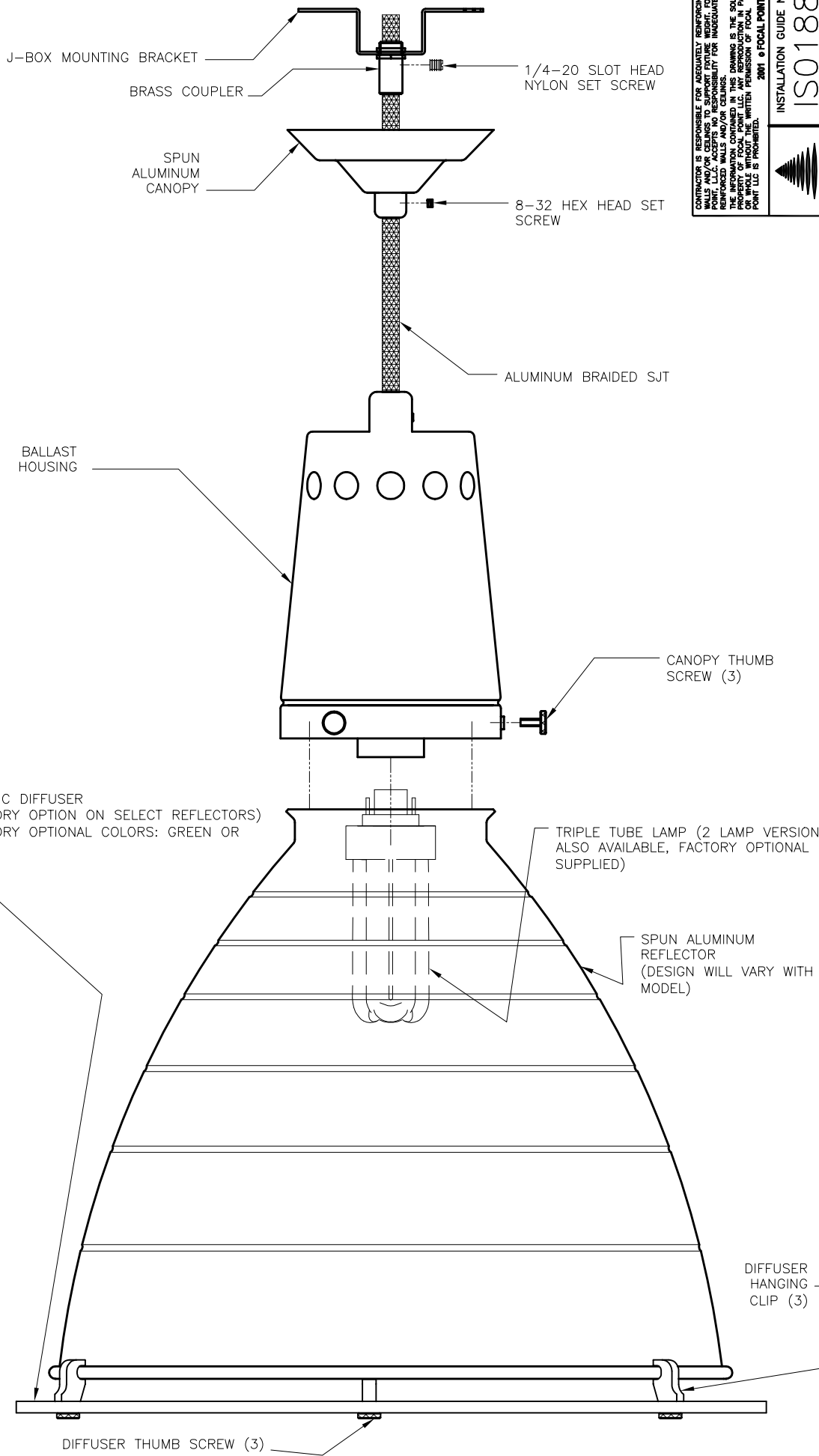


**GROOVE PENDANT MOUNT**  
**SAFETY AND INSTALLATION INSTRUCTIONS**

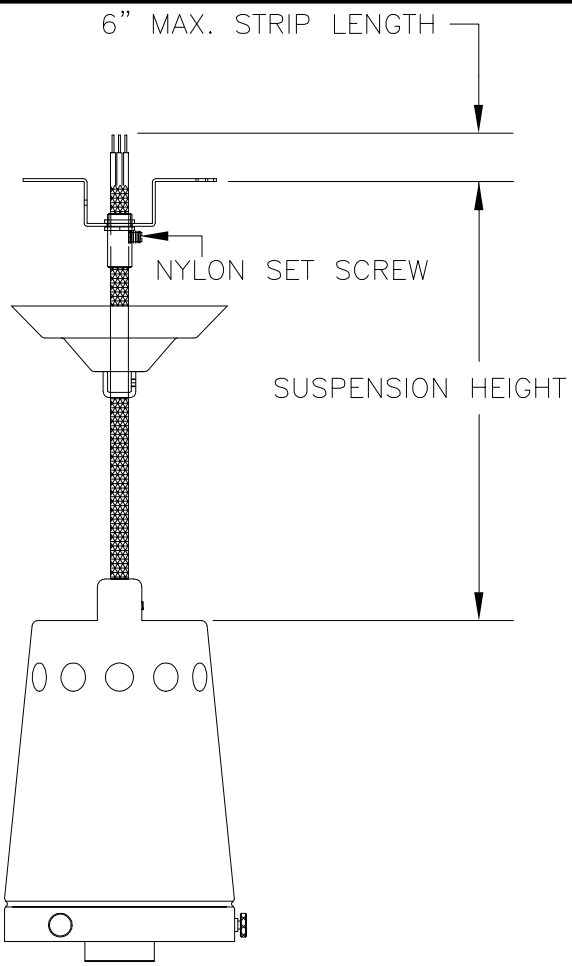
FIXTURES MUST BE INSTALLED BY A QUALIFIED ELECTRICIAN (CHECK WITH LOCAL ELECTRICAL CODES AND REGULATORY AGENCIES FOR ANY LOCAL VARIATIONS). ALWAYS FOLLOW THE MANUFACTURER'S INSTRUCTIONS TO PREVENT ELECTRICAL SHOCK, DISCONNECT ELECTRICAL SUPPLY BEFORE INSTALLATION OR SERVICE.



CONTRACTOR IS RESPONSIBLE FOR ADEQUATELY REINFORCING WALLS AND/OR CEILINGS TO SUPPORT FIXTURE WEIGHT. FOCAL POINT LAMP IS NOT A WEIGHT SUPPORTING FIXTURE. REINFORCED WALLS AND/OR CEILINGS. THE INFORMATION CONTAINED IN THIS DRAWING IS THE SOLE PROPERTY OF FOCAL POINT LAMP. NO PART OF THIS DRAWING OR WORK WITHOUT THE WRITTEN PERMISSION OF FOCAL POINT LLC IS PROHIBITED. © 2001 FOCAL POINT LLC

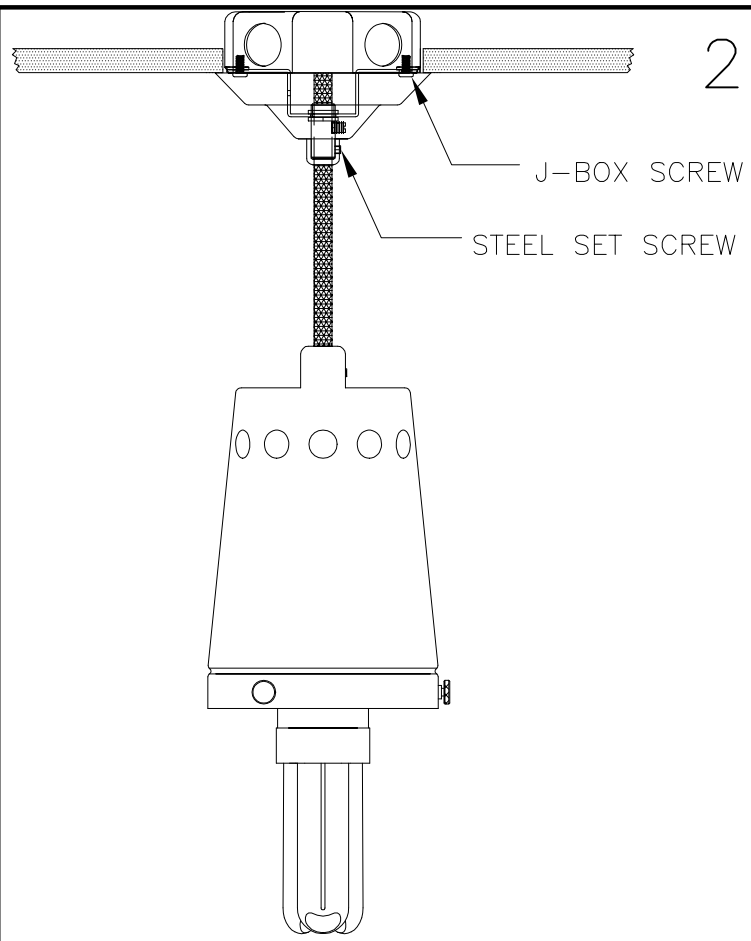
INSTALLATION GUIDE NO.  
**ISO188**  
 FOCAL POINT  
 DWG. NO. REV. A

FOCAL POINT, LLC 4501 S. PULASKI RD., CHICAGO, IL 60632 PHONE (773) 347-9444 FAX (773) 347-9444



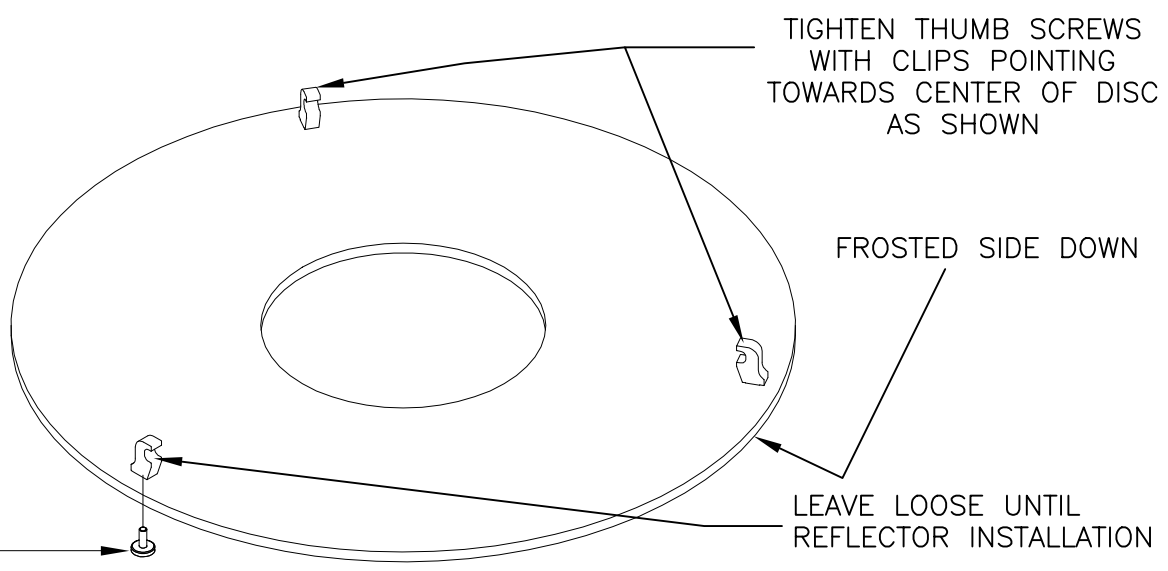
1

DETERMINE DESIRED SUSPENSION LENGTH. CUT CORD WITH 6" EXCESS (EX. 3' DESIRED SUSPENSION=3'-6" CORD LENGTH). ADJUST J-BOX BRACKET ALONG CORD UNTIL TOP OF BRACKET IS AT DESIRED CEILING SUSPENSION POINT. TIGHTEN BRACKET ONTO CORD WITH NYLON SET SCREW. STRIP CORD ABOVE J-BOX BRACKET WITH IDEAL #45-128 OR EQUAL COAX STRIPPER.



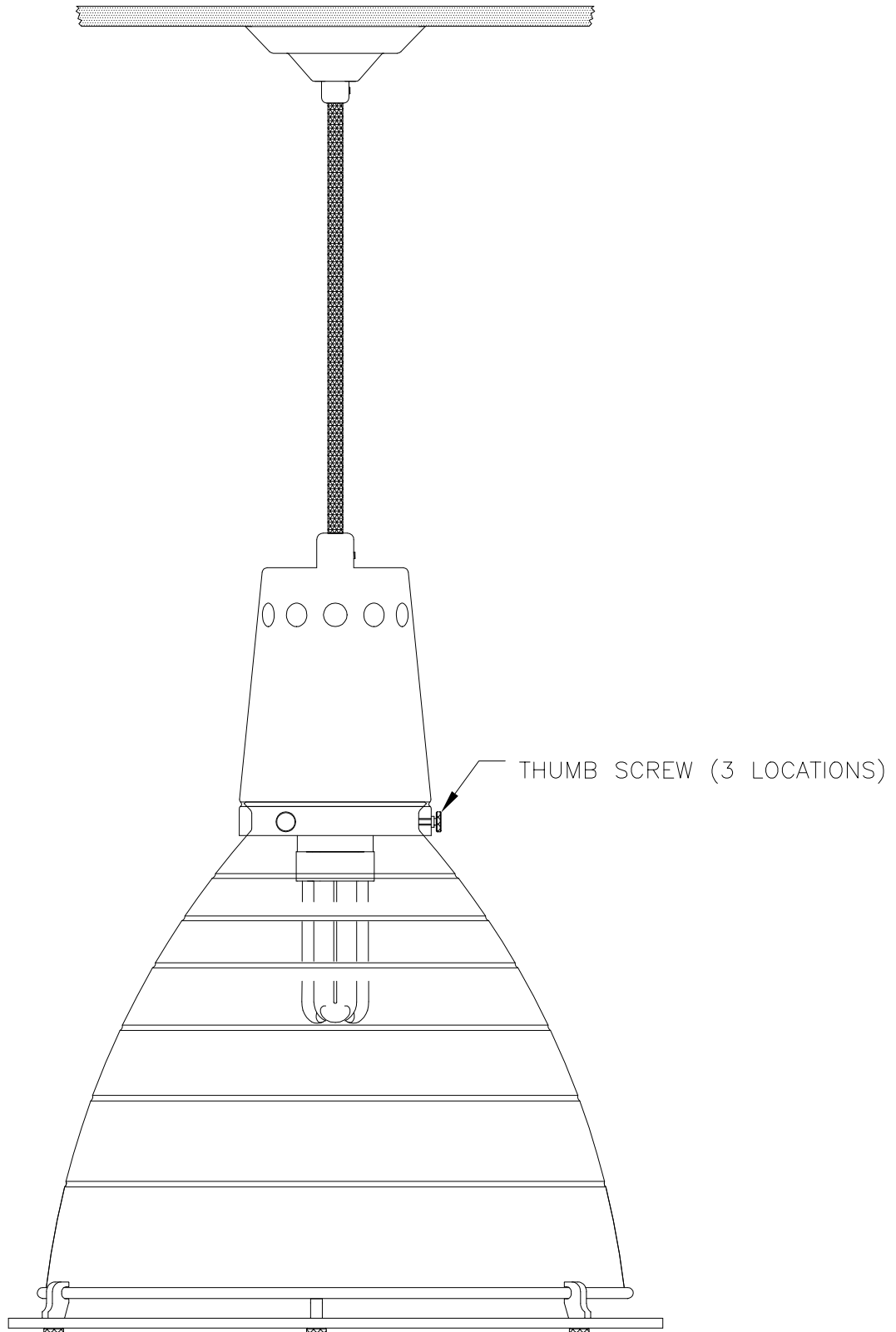
2

ATTACH J-BOX BRACKET TO J-BOX WITH J-BOX SCREWS (BY OTHERS). MAKE POWER CONNECTIONS. SLIDE CANOPY UP UNTIL FLUSH WITH CEILING, TIGHTEN CANOPY SET SCREW AGAINST BRASS COUPLER (DO NOT OVER TIGHTEN SET SCREW). 1 LAMP FIXTURES: AFTER HOUSING IS SECURE, INSTALL LAMP. 2 LAMP FIXTURES: INSTALL LAMPS AFTER STEP 4 IS COMPLETE. TO INSTALL LAMP: INSERT LAMP INTO SOCKET AND TWIST CLOCKWISE TO LOCK.



3

INSTALLATION OF OPTIONAL ACRYLIC DIFFUSER TO BE COMPLETED BEFORE INSTALLATION OF REFLECTOR ONTO HOUSING. INSERT THUMB SCREWS THROUGH HOLES ON FROSTED SIDE OF DIFFUSER AND SCREW INTO CLIPS. ADJUST CLIPS AS SHOWN BY TIGHTENING 2 OF 3 THUMB SCREWS WITH CLIPS POINTING TOWARD THE CENTER OF THE DISC. SLIDE CURLED EDGE OF REFLECTOR INTO 2 TIGHTENED CLIPS. TURN AND TIGHTEN 3rd CLIP DOWN.



LOOSEN THUMB SCREWS ON HOUSING (3). SLIDE REFLECTOR UP INTO HOUSING SO REFLECTOR NECK MOUNTS FLUSH TO RIDGE IN HOUSING. HAND TIGHTEN THUMB SCREWS FIRMLY AGAINST VERTICAL NECK OF REFLECTOR.