

FSD 44 - SKYDOME 4x4

SAFETY AND INSTALLATION INSTRUCTIONS

FIXTURES MUST BE INSTALLED BY A QUALIFIED ELECTRICIAN (CHECK WITH LOCAL AND NATIONAL CODES FOR PROPER INSTALLATION). TO PREVENT ELECTRICAL SHOCK, DISCONNECT ELECTRICAL SUPPLY BEFORE INSTALLATION OR SERVICING.

****NOTE: LUMINAIRE MUST BE INSTALLED BEFORE CEILING!****

1. READ ALL INSTRUCTIONS PRIOR TO INSTALLATION.
2. DISCONNECT ELECTRICAL POWER BEFORE SERVICING LUMINAIRE.
3. BRACKET HEIGHTS VARY FOR GRID AND DRYWALL APPLICATIONS.

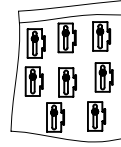
DRYWALL MOUNT:

MAX. BRACKET HEIGHT = $2 \frac{3}{16}$ "
(C-CHANNEL CANNOT EXCEED THIS HEIGHT)

GRID MOUNT:

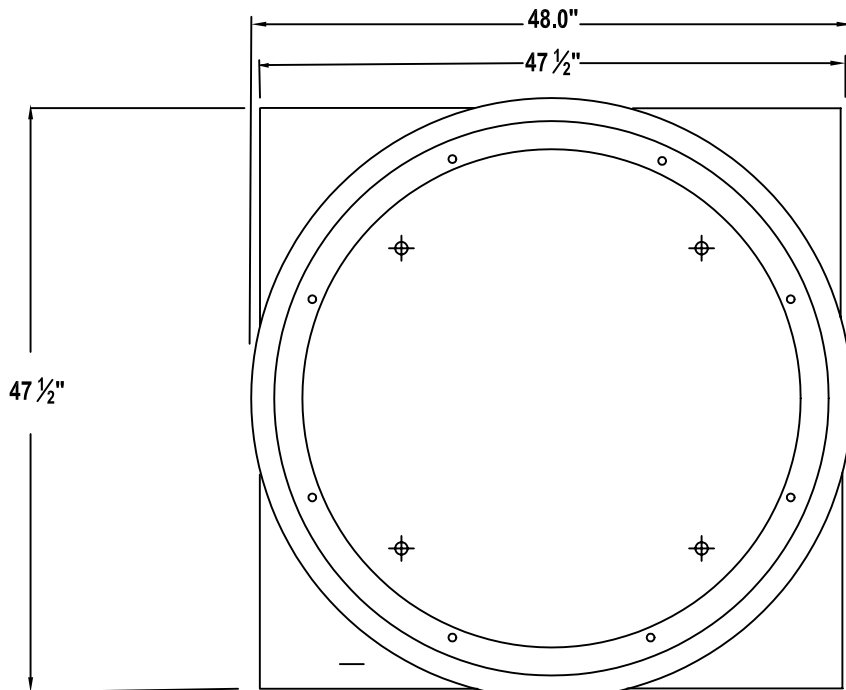
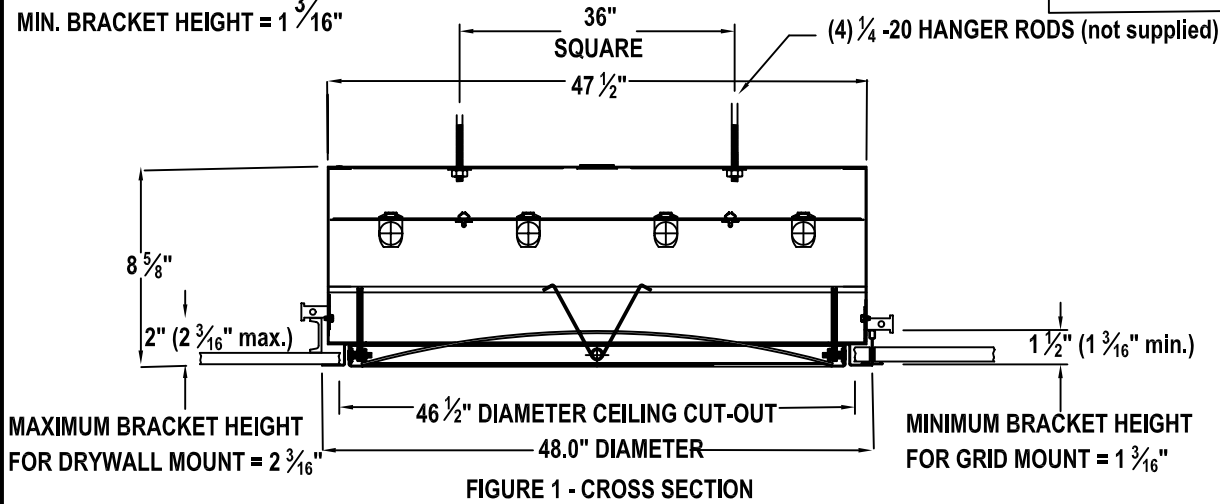
MIN. BRACKET HEIGHT = $1 \frac{3}{16}$ "

PARTS SUPPLIED WITH LUMINAIRE
(8) LEVELING SUPPORT BRACKETS



PARTS NOT SUPPLIED
WITH LUMINAIRE

- (4) 1/4-20 HANGER RODS
- (4) C-CHANNELS (DRYWALL ONLY)



CONTRACTOR IS RESPONSIBLE FOR ADEQUATELY REINFORCING WALLS AND/OR CEILINGS TO SUPPORT FIXTURE WEIGHT. FOCAL POINT, L.L.C. ACCEPTS NO RESPONSIBILITY FOR INADEQUATELY REINFORCED WALLS AND/OR CEILINGS.

THE INFORMATION CONTAINED IN THIS DRAWING IS THE SOLE PROPERTY OF FOCAL POINT LLC. ANY REPRODUCTION IN PART OR WHOLE WITHOUT THE WRITTEN PERMISSION OF FOCAL POINT LLC IS PROHIBITED.

2005 © FOCAL POINT LLC



FOCAL POINT

INSTALLATION GUIDE NO.

IS0049

DWG. NO.

REV. B

FSD 44 - DRYWALL MOUNT

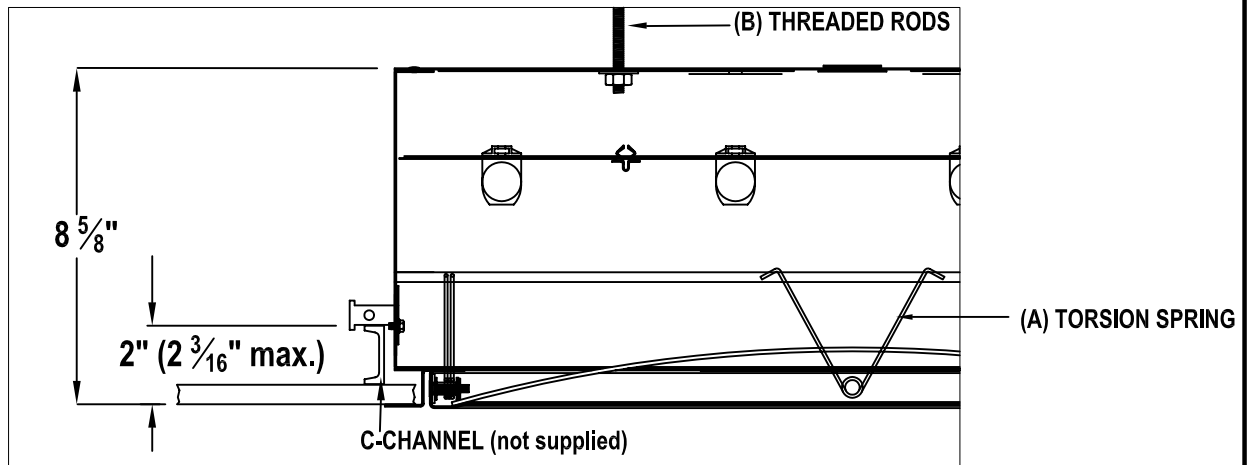


FIGURE 3

- 1) REMOVE LENS ASSEMBLY, (4) TORSION SPRINGS (A).
- 2) LUMINAIRE MUST BE SUPPORTED BY (4) 1/4-20 RODS (B). RODS MOUNT TO TOP OF HOUSING THROUGH (4) MOUNTING HOLES. MOUNTING HOLES ARE ACCESSIBLE BY REMOVING BALLAST COVER.
- 3) SUSPEND LUMINAIRE BY (4) 1/4-20 THREADED RODS (B). LEVEL LUMINAIRE SUCH THAT THE OUTER FLANGE IS EVEN WITH CEILING BY USING (8) LEVELING SUPPORT BRACKETS (SUPPLIED BY FOCAL POINT).
- 4) WIRE LUMINAIRE, REPLACE BALLAST COVER, INSTALL LAMPS, REPLACE LENS ASSEMBLY.
- 5) IN DRYWALL APPLICATIONS, USE OUTER RING (C) AS PLASTER FRAME.

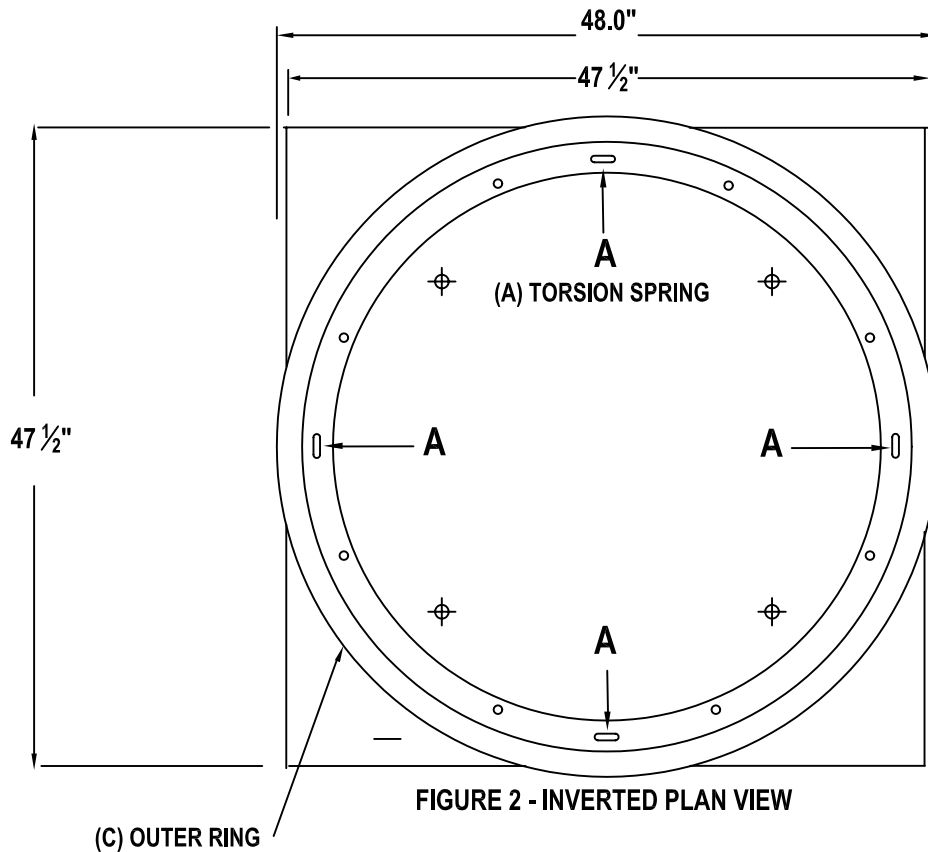


FIGURE 2 - INVERTED PLAN VIEW

(C) OUTER RING

