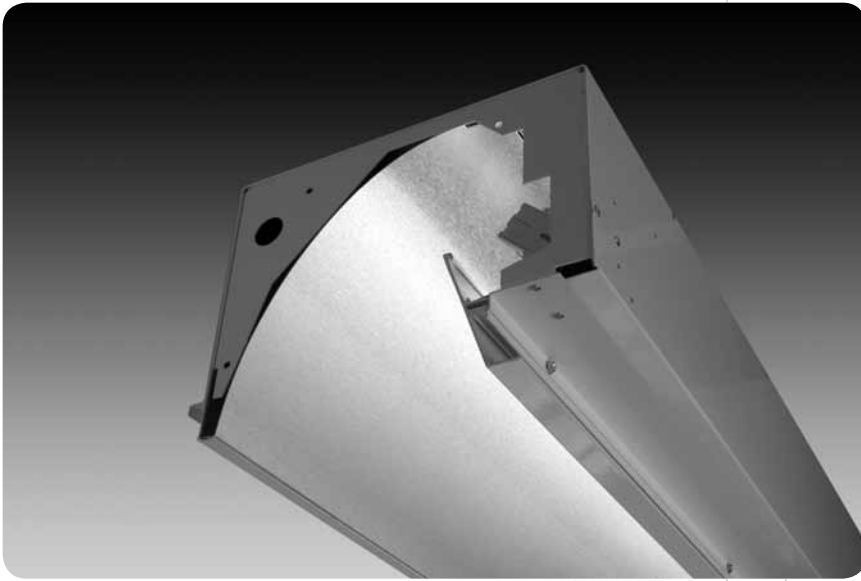


# focus™ 4



## features

High performance perimeter open wall washing system.

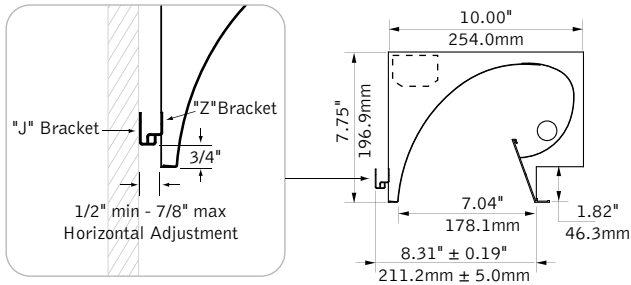
Includes an extruded aluminum splay, which conceals view to lamps.

Luminaire alignment is maintained with continuous angle and splice brackets.

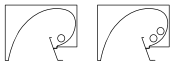
Reflector design eliminates direct and reflected lamp image.

Especially effective when mounted against reflective wall surfaces such as polished stone or mirrors.

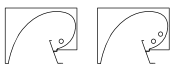
## dimensional data



## lampping options



T8 LAMPS



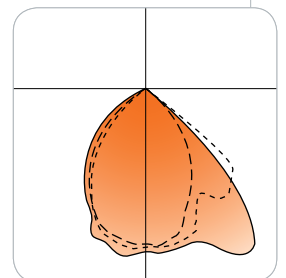
T5/T5H0 LAMPS

## performance

1-Lamp T8  
36% Efficiency  
551cd @ 35°



Use in place of multiple halogen or compact fluorescent wall washers.

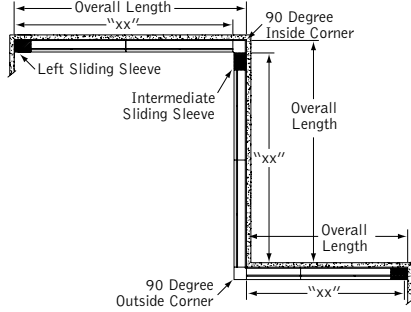


Visit [focalpointlights.com](http://focalpointlights.com) for complete photometric data.

fixture:  
project:

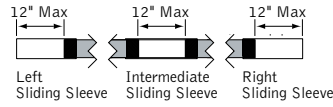
## details

### typical run layout



Luminaires must be installed prior to ceiling.  
Start run from corner with any standard luminaire.  
Corner to corner runs end with an intermediate sleeve.

### sliding sleeves



Fractional Dimensions up to 12" are taken up by the use of a sliding sleeve.  
"J" and "Z" angle brackets must be cut to length in field.

## specifications

### construction

20 Ga. steel housing.  
24 Ga. steel reflector.  
3-3/4"H x 3/4" W extruded aluminum splay mates with ceiling.  
18 Ga. internal bulkheads join luminaires.  
18 Ga. galvanized steel splice brackets are provided to ensure precise luminaire alignment.  
20 Ga. steel continuous wall angles are provided to ensure horizontal alignment at wall.  
Luminaires are available up to 8' nominal lengths.

4' unit weight: 26 lbs  
8' unit weight: 47 lbs

### optic

CNC roll-formed brush anodized .032" aluminum front reflector with specular .024" aluminum back reflector.  
White Reflector also available.

### electrical

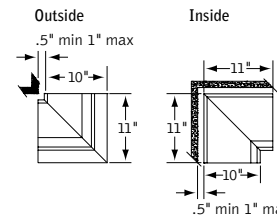
Electronic ballasts are thermally protected and have a Class "P" rating.  
Optional dimming ballasts available.  
Consult factory for dimming specifications and availability.  
UL and cUL listed.

### finish

Polyester powder coat applied over a 5-stage pre-treatment.  
Standard luminaire housing finished in Matte Satin White.

## ordering

luminaire series	FW4
Focus 4	FW4
shielding	NS
No Shielding, Open Optic	NS
lamping	
One Lamp T8	1T8
Two Lamp T8	2T8
One Lamp T5	1T5
Two Lamp T5	2T5
One Lamp T5HO	1T5HO
Two Lamp T5HO	2T5HO
circuit	
Single Circuit	1C
Dual Circuit (Two lamps only)	2C
voltage	
120 Volt	120
277 Volt	277
347 Volt	347
ballast	
Electronic Instant Start <20% THD	E
Electronic Program Start <10% THD	S
Electronic Dimming Ballast*	D
mounting	RC
Recessed	RC
factory options	
Air Return	AR
Emergency Circuit*	EC
Emergency Battery Pack*	EM
Flanged End (specify when run does not terminate at a wall)	FL
HLR/GLR Fuse	FU
Matte White Reflector	WR
Include 3000K Lamp*	L830
Include 3500K Lamp*	L835
Include 4100K Lamp*	L841
Sliding Sleeve	SS
finish	WH
Matte Satin White	WH
luminaire length	
Designate length in feet (Nominal lengths: 2', 3', 4', 5', 6', 7', 8')	XX'
(All end caps are flat with no flange unless otherwise specified)	
corner options	
90-degree Inside Corner	FW4-1C90
90-degree Outside Corner	FW4-0C90



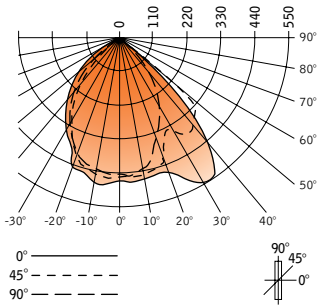
\* for more information see Reference section.

# focus™ 4



Filename: FW4NS1T8.IES  
 Catalog #: FW4-1T8-1C-120-E-RC-HW  
 Efficiency: 36%  
 Test #: 8643.1

## CANDLEPOWER DISTRIBUTION



Vertical Angle	Horizontal Angle					Zonal Lumens
	0°	22.5°	45°	67.5°	90°	
0°	488	488	488	488	488	
5°	485	488	488	490	491	47
15°	471	471	471	472	474	136
25°	509	479	445	427	427	202
35°	551	548	449	353	348	239
45°	329	374	419	272	255	201
55°	30	48	230	240	174	115
65°	19	21	24	151	97	68
75°	10	10	10	16	36	16
85°	3	3	3	3	9	4
90°	0	0	0	0	0	
95°	0	0	0	0	0	0
105°	0	0	0	0	0	0
115°	0	0	0	0	0	0
125°	0	0	0	0	0	0
135°	0	0	0	0	0	0
145°	0	0	0	0	0	0
155°	0	0	0	0	0	0
165°	0	0	0	0	0	0
175°	0	0	0	0	0	0
180°	0	0	0	0	0	

## LUMEN SUMMARY

	Zone Lumens	% Lamp	% Fixt
0°-30°	384	13.5	37.5
0°-40°	623	21.9	60.7
0°-60°	938	32.9	91.5
0°-90°	1026	36.0	100
<b>Total Luminaire</b>	<b>1026</b>	<b>36</b>	<b>100.0</b>

# focus standard run length

Continuous Runs consist of standard fixture lengths. Left and Right End Trims and Sliding Sleeves are determinate, according to specific field conditions. Consult factory for details.

Example: 32' run = three 8' fixtures and one 7' fixture with a sliding sleeve expandable to 32'.

run length (in feet)	standard fixture lengths required	lamp sizes	sliding sleeve	run length (in feet)	standard fixture lengths required	lamp sizes	sliding sleeve
4-5	4	4	1	34-35	8 8 8 6 4	4 4 4 4 4 4 4 3 3	1
5-6	5	5	1	35-36	8 8 8 8 3	4 4 4 4 4 4 4 4 3	1
6-7	6	3 3	1	36-37	8 8 8 8 4	4 4 4 4 4 4 4 4 4	1
7-8	7	4 3	1	37-38	8 8 8 6 7	4 4 4 4 4 4 4 3 3 3	1
8-9	8	4 4	1	38-39	8 8 8 8 6	4 4 4 4 4 4 4 4 3 3	1
9-10	6 3	3 3 3	1	39-40	8 8 8 8 7	4 4 4 4 4 4 4 4 4 3	1
10-11	6 4	3 3 4	1	40-41	8 8 8 8 8	4 4 4 4 4 4 4 4 4 4	1
11-12	8 3	4 4 3	1	41-42	8 8 8 8 6 3	4 4 4 4 4 4 4 4 3 3 3	1
12-13	8 4	4 4 4	1	42-43	8 8 8 8 6 4	4 4 4 4 4 4 4 4 4 3 3	1
13-14	7 6	4 3 3 3	1	43-44	8 8 8 8 8 3	4 4 4 4 4 4 4 4 4 4 3	1
14-15	8 6	4 4 3 3	1	44-45	8 8 8 8 8 4	4 4 4 4 4 4 4 4 4 4 4 4	1
15-16	8 7	4 4 4 3	1	45-46	8 8 8 8 7 6	4 4 4 4 4 4 4 4 4 3 3 3	1
16-17	8 8	4 4 4 4	1	46-47	8 8 8 8 8 6	4 4 4 4 4 4 4 4 4 4 3 3	1
17-18	8 6 3	4 4 3 3 3	1	47-48	8 8 8 8 8 7	4 4 4 4 4 4 4 4 4 4 4 3	1
18-19	8 6 4	4 4 4 3 3	1	48-49	8 8 8 8 8 8	4 4 4 4 4 4 4 4 4 4 4 4 4	1
19-20	8 8 3	4 4 4 4 3	1	49-50	8 8 8 8 8 6 3	4 4 4 4 4 4 4 4 4 4 3 3 3	1
20-21	8 8 4	4 4 4 4 4	1	50-51	8 8 8 8 8 7 3	4 4 4 4 4 4 4 4 4 4 4 3 3	1
21-22	8 7 6	4 4 4 3 3 3	1	51-52	8 8 8 8 8 8 3	4 4 4 4 4 4 4 4 4 4 4 4 3	1
22-23	8 8 6	4 4 4 4 3 3	1				
23-24	8 8 7	4 4 4 4 4 3	1				
24-25	8 8 8	4 4 4 4 4 4	1				
25-26	8 8 6 3	4 4 4 4 3 3 3	1				
26-27	8 8 6 4	4 4 4 4 4 3 3	1				
27-28	8 8 8 3	4 4 4 4 4 4 3	1				
28-29	8 8 8 4	4 4 4 4 4 4 4	1				
29-30	8 8 7 6	4 4 4 4 4 3 3 3	1				
30-31	8 8 8 6	4 4 4 4 4 4 3 3	1				
31-32	8 8 8 7	4 4 4 4 4 4 4 3	1				
32-33	8 8 8 8	4 4 4 4 4 4 4 4 4	1				
33-34	8 8 8 6 3	4 4 4 4 4 4 3 3 3	1				