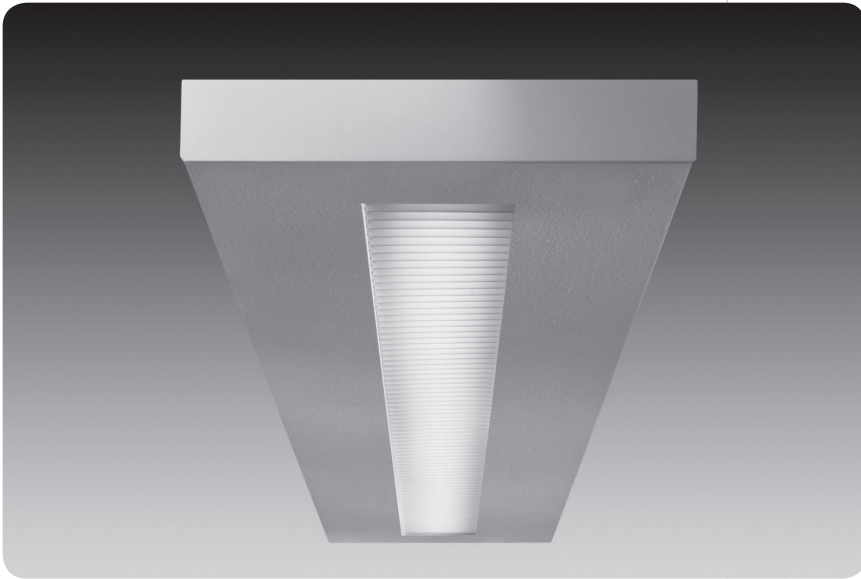


louver/indirect
twelve™



Covered by the following U.S. Patents: 5,733,028; 5,914,487; 5,967,652; 6,043,873; 6,064,061; 6,088,091; 6,238,077; 6,266,136; 6,334,700; 7,490,961.

features

Suspended direct/indirect ideal for low ceiling applications.

Twelve™ delivers 70% indirect/30% direct illumination.

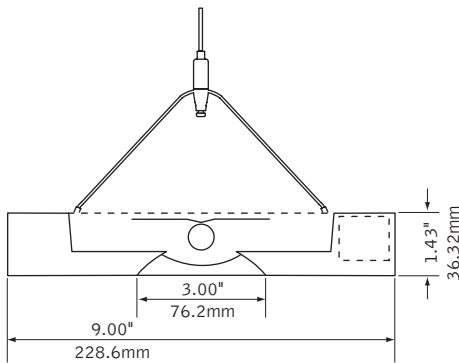
The CU Filter precisely controls lamp brightness above the fixture to allow for 12" suspension lengths.

Sleek rectilinear design adds clean style to any space.

Parallel blade louver with acrylic lens diffuser provides comfortable downlight shielding.

Excellent choice for lower ceiling applications and areas where ceiling uniformity is important.

dimensional data

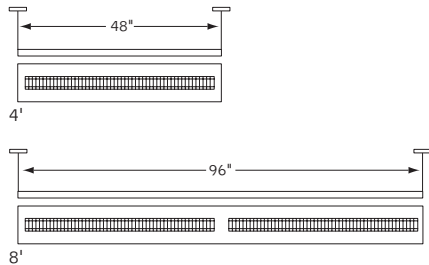


lampping options



T5/T5H0 LAMPS

fixture information



shielding options



solid indirect



louver



daylight /
occupancy sensor

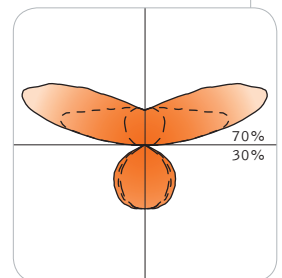
companion luminaire



wall mount

performance

1-Lamp T5H0
90% Efficiency
1264 cd @ 115°



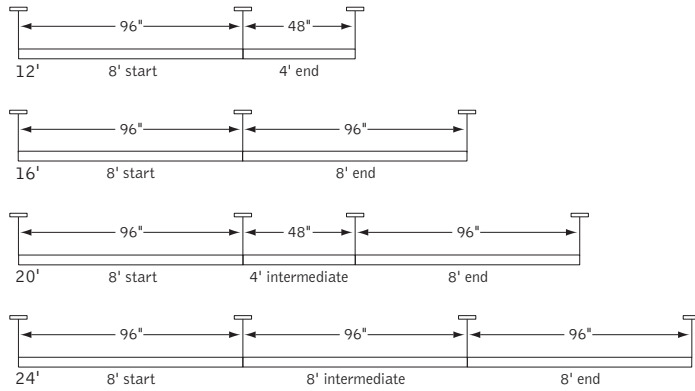
Visit focalpointlights.com for complete photometric data.

october 2009 C

fixture:

project:

suspension information



Consult factory for additional row length information.

specifications

construction

One-piece 20 Ga. steel housing.
 14 Ga. steel end caps mechanically attach flush to housing with concealed fasteners.
 For row installation, internal brackets form hairline joint.
 Standard lengths are available in 4' and 8'.
 All luminaires are provided with Y-cable suspension mounted on 48" or 96" centers.

4' unit weight: 20 lbs.
 8' unit weight: 38 lbs.

optic

Reflector fabricated of low iridescent, semi specular premium grade aluminum.
 Parallel Blade Louver: 24 Ga. steel, .5"H x 2.8"W x .56" frequency.
 Louver blade finished to match housing and backed with an acrylic lens diffuser.
 24 Ga. steel Ceiling Uniformity Filter (CU Filter) finished in high reflectance white powder coat.

electrical

Luminaires are pre-wired with factory installed branch circuit wiring and over-molded quick connects.
 Factory installed SJT power cord at feed location is included.
 Electronic ballasts are thermally protected and have a Class "P" rating.
 Optional dimming ballasts available.
 UL and cUL listed.

sensors

Lutron Daylight sensor is a directional sensor that operates with a Lutron EcoSystem ballast. The sensor has an integrated IR receiver for EcoSystem programming. One sensor controls multiple fixtures or groups of fixtures differently. Sensor should be mounted 1 to 2 times the effective window height (from 3' AFF, or bottom of window to top of window).
 Lutron IR sensor controls individual or grouped EcoSystem ballasts or BMFs. Sensor provides a flashing LED response to indicate signal reception and received IR signals from up to 8' away when mounted on a 10' ceiling. Order Lutron IR remote accessory (LOR).

Wattstopper Daylight sensor is a closed loop system that measures total light level from daylight and electric light. A 0-10V dimming ballast is required, one sensor controls multiple fixtures. Sensor should be mounted 6-12' from window. Wattstopper daylight setup remote required for programming; one included per order. Order additional setup remote accessory (WYSR) or occupant controller remote accessory (WOR) for increased control.

Wattstopper Occupancy sensor is a passive infrared sensor designed for cubicles and small offices. It has built-in daylight sensing that will hold lights off when adequate ambient light exists. One sensor controls multiple fixtures.

finish

Polyester powder coat applied over a 5-stage pre-treatment.
 Canopy finished in Matte Satin White.

ordering

fixture series	FTWS
twelve	FTWS
shielding	
Parallel Blade Louver with CU Filter	PB
Solid, no lens, 100% indirect	SD
lampping	
1 Lamp T5	1T5
1 Lamp T5HO	1T5HO
2 Lamp T5	2T5
2 Lamp T5HO	2T5HO
circuit	
Single Circuit	1C
Dual Circuit	2C
(Multiple lamp luminaires only)	
voltage	
120 Volt	120
277 Volt	277
347 Volt	347
ballast	
Electronic Program Start <10% THD	S
Electronic Dimming Ballast*	D
mounting	
12" Cable Suspension	J12
(5" canopy at feed locations and 2" canopy non-feed locations)	
(specify "C" in place of "J" for 5" dia. canopies both at power feed and non-feed locations)	
(suspension may be adjusted up to 24". Consult factory for lengths longer than 24")	
Stem Mount	S_
(specify stem length in inches Standard stem lengths 6, 12, 18, 24, 36, 48". Stem painted white unless otherwise specified)	
factory options	
Emergency Circuit*	EC
Emergency Battery Pack*	EM
HLR/GLR Fuse	FU
Include 3000K Lamp	L830
Include 3500K Lamp	L835
Include 4100K Lamp	L841
(factory installed lamps recommended)	
Lutron™ Daylight Sensor*	LY1
(EcoSystem ballast required)	
Lutron™ IR Receiver*	LIR
(EcoSystem ballast required)	
Lutron™ Sensor Feed*	SF
(EcoSystem ballast required)	
WattStopper™ Daylight Sensor*	WY1
(0-10V dimming ballast required)	
WattStopper™ Occupancy Sensor*	W01
finish	
Matte Satin White	WH
Titanium Silver	TS
(louver painted to match housing)	
fixture run length	
4'	4'
8'	8'
12' (8'+4')	12'
16' (8'+8')	16'
20' (8'+4'+8')	20'
24' (8'+8'+8')	24'
(individual units may not be field modified for continuous row mount)	
remotes	
(specify quantity)	
WattStopper™ Daylight Setup Remote*	WYSR
(required for daylight programming, one included per order)	
WattStopper™ Occupant Controller*	WOR

* for more information see Reference section.

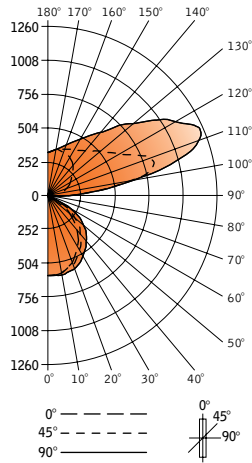
Focal Point LLC | 4141 S. Pulaski Rd, Chicago, IL 60632 | T: 773.247.9494 | F: 773.247.8484 | info@focalpointlights.com | www.focalpointlights.com. Focal Point LLC reserves the right to change specifications for product improvement without notification.

louver
twelve™



Filename: FTWSPB1T5H.IES
 Catalog #: FTWS-PB-1T5H0-1C-120-S-C12-WH-4'
 Efficiency: 90%
 Test #: 12096.0

CANDLEPOWER DISTRIBUTION



Spacing 1.1
 Criterion: 1.3

Vertical Angle	Horizontal Angle				Zonal Lumens
	0°	22.5°	45°	67.5°	
0°	590	590	590	590	590
5°	587	589	590	593	593
15°	551	553	562	575	582
25°	486	492	510	537	553
35°	394	404	429	464	486
45°	290	301	333	376	407
55°	178	193	226	269	301
65°	86	99	126	157	177
75°	29	41	52	60	59
85°	0	7	11	11	7
90°	0	0	1	1	1
95°	17	171	105	74	69
105°	75	364	788	952	937
115°	136	315	772	1151	1264
125°	202	312	609	928	1051
135°	255	330	516	722	806
145°	321	355	449	550	302
155°	357	373	415	462	490
165°	373	377	385	399	410
175°	365	365	365	364	364
180°	352	352	352	352	352

LUMEN SUMMARY

Zone	Lumens	% Lamp	% Fixt
0°-30°	454	9.1	10.1
0°-90°	1387	27.7	30.8
90°-130°	2082	41.6	46.3
90°-180°	3112	62.2	69.2
Total Luminaire	4498	90.0	100.0

LUMINANCE DATA (CD/M²)

Vertical Angle	0°	45°	90°
45°	2147	2466	3014
55°	1625	2063	2748
65°			
75°	1066	1531	2193
85°	587	1052	1194

CO-EFFICIENTS OF UTILIZATION

Floor Ceiling	80				70				50				20			
	70	50	30	10	70	50	30	10	50	10	50	10	50	10	50	10
RCR 0	92	92	92	92	83	83	83	83	65	65	49	49	35	35	28	28
1	85	81	78	75	76	73	68	68	58	54	44	42	31	30	24	24
2	77	71	66	62	69	64	56	56	51	46	39	36	28	26	21	21
3	71	63	57	52	64	57	47	47	46	39	35	31	25	23	19	19
4	65	56	49	44	58	51	40	40	41	33	31	27	23	20	16	16
5	59	50	43	38	53	45	35	35	36	29	28	23	21	17	14	14
6	55	45	38	33	49	40	30	30	33	25	25	20	19	15	12	12
7	51	40	33	29	45	36	26	26	30	22	23	18	17	13	11	11
8	47	36	30	25	42	33	23	23	27	19	21	16	15	12	09	09
9	43	33	27	22	39	30	20	20	24	17	19	14	14	10	08	08
10	40	30	24	20	36	27	18	18	22	15	17	12	13	09	07	07

Numbers indicate percentage values of

Go to www.focalpointlights.com for additional photometric data.