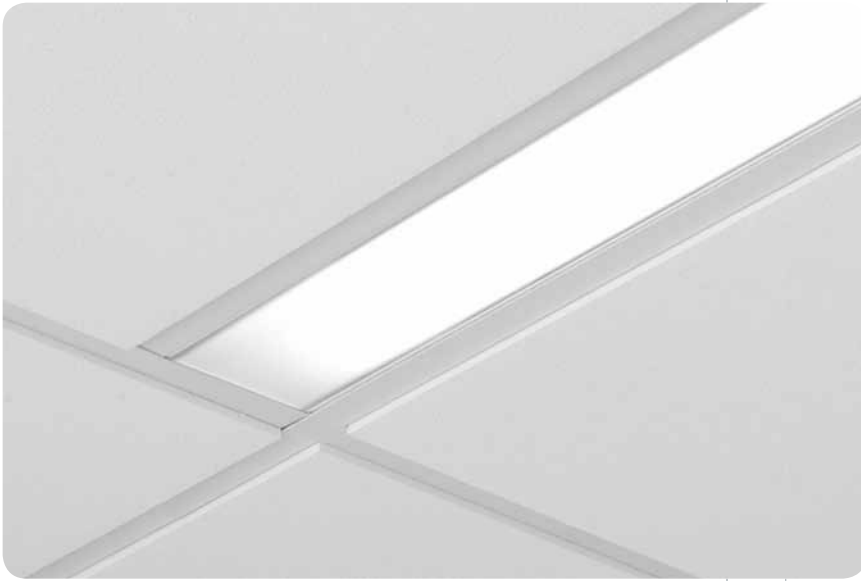


grid  
seem® 4



features

Narrow 4" aperture slot fluorescent luminaire that integrates with the ceiling for a clean unobtrusive aesthetic.

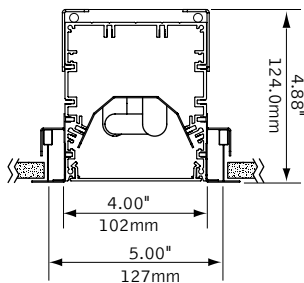
Frosted acrylic flush lens provides even illumination, high performance lens available for increased efficiency. Parabolic louver also available.

Allows for individual and continuous row mount in grid applications.

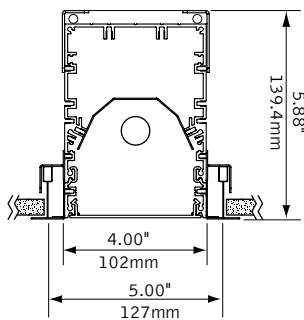
Available in 1 or 2 lamp T5, T5H0 or T8 configurations, Seem 4 provides continuous illumination by combining 3' and 4' staggered lamps. Specify 1 lamp for even appearance and minimal lamp image, or 2 lamps when higher light levels are required.

dimensional data

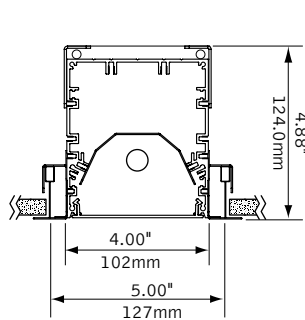
row mount T5/T5H0/T8



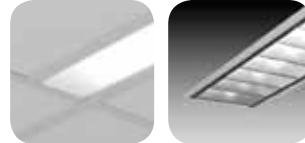
individual T8



individual T5/T5H0



shielding options



lens

companion luminaires



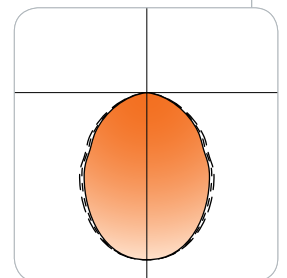
recessed drywall

recessed wall mount

wall to ceiling corner

performance

1-Lamp T5	1-Lamp T5
High Performance Lens	Flush Satin Lens
77% Efficiency	56% Efficiency
999 cd @ 0°	595 cd @ 0°



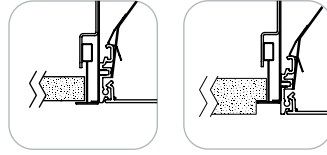
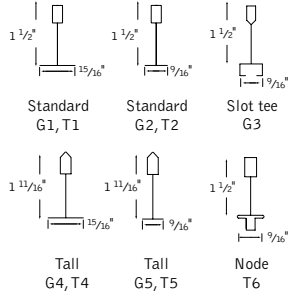
Visit [focalpointlights.com](http://focalpointlights.com) for complete photometric data.

fixture:

project:

## mounting information

### grid



lay-in tile (G)      tegular tile (T)

Luminaire always rests at level of tile.

## specifications

### construction

One piece, .07" thick housing of 6063-T5 extruded aluminum.

16 Ga. internal bulkhead. 20 Ga. steel end caps.

Luminaires include 22 Ga. steel, .35" wide flange rail finished in Matte Satin White.

Earthquake brackets standard on all luminaires.

Lengths 6' and longer configured with staggered lamps

(6' & 8' T8 configured with non-staggered lamps):

1-lamp T8:	4.47" overlap
2-lamp T8:	9.35" overlap
1-lamp T5/T5HO:	4.35" overlap
2-lamp T5/T5HO:	2.00" overlap

2' unit weight:	18 lbs.
3' unit weight:	24 lbs.
4' unit weight:	30 lbs.
5' unit weight:	36 lbs.
6' unit weight:	43 lbs.
8' unit weight:	55 lbs.

### optic

Reflectors fabricated of 22 Ga. steel finished in High Reflectance White powder coat.

Flush satin lens: extruded acrylic lens .07" thick with opal satin finish.

High performance flush lens: extruded acrylic lens .07" thick with increased light transmission.

Parabolic Louver: 0.75"H x 1.5" frequency fabricated of low iridescent semi-specular premium grade aluminum.

### electrical

Luminaires are pre-wired with factory installed branch circuit wiring and over-molded quick connects.

Electronic fluorescent ballasts are thermally protected and have a Class "P" rating.

Optional dimming ballasts available.

UL and cUL listed.

### finish

Polyester powder coat applied over a 5-stage pre-treatment.

## ordering

luminaire series FSM4

Seem 4 FSM4

shielding \_\_\_\_\_

Flush Satin Lens FL

High Performance Flush Lens FLXP

(lamp image may be visible)

Parabolic Louver PL

lampping \_\_\_\_\_

One Lamp T8 1T8

Two Lamp T8 2T8

One Lamp T5 1T5

Two Lamp T5 2T5

One Lamp T5HO 1T5HO

Two Lamp T5HO 2T5HO

circuits \_\_\_\_\_

Single Circuit 1C

Dual Circuit 2C

(2-lamp luminaires only)

voltage \_\_\_\_\_

120 Volt 120

277 Volt 277

347 Volt 347

ballast \_\_\_\_\_

Electronic Instant Start <20% THD E

(T8 only)

Electronic Program Start <10% THD S

Electronic Dimming Ballast\* D

ceiling configurations \_\_\_\_\_

Std. 15/16" Lay-in G1

Std. 15/16" Tegular T1

Std. 9/16" Lay-in G2

Std. 9/16" Tegular T2

9/16" Slot-tee Tegular G3

Tall 15/16" Lay-in G4

Tall 15/16" Tegular T4

(not available in T8 individuals)

Tall 9/16" Lay-in G5

Tall 9/16" Tegular T5

(not available in T8 individuals)

Node 9/16" Tegular T6

factory options \_\_\_\_\_

Chicago Plenum CP

Emergency Circuit\* EC

Emergency Battery Pack\* EM

Flex Whip\* FW

HLR/GLR Fuse FU

Include 3000K lamp L830

Include 3500K lamp L835

Include 4100K lamp L841

finish WH

Matte White WH

luminaire length \_\_\_\_\_

(designed to fit standard grid lengths)

Specify luminaire/row length X'

in 1' increments

(lengths 6' and longer configured

with staggered lamps, 6' 2-lamp T8

configured with non-staggered lamps,

row mount not available)

(Consult factory for 5' dimming)

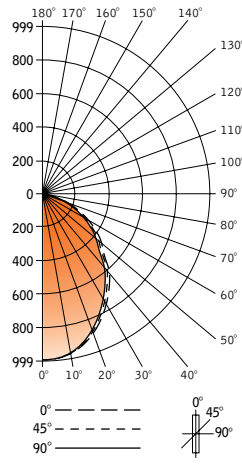
\* for more information see Reference section.

# seem™ 4



Filename: FSM4FLXP1T5.IES  
 Catalog #: FSM4-FLXP-1T5-1C-120-S-G1-WH-4'  
 Efficiency: 77%  
 Test #: 15712.0

## CANDLEPOWER DISTRIBUTION



Spacing 1.1  
 Criterion: 1.1

Vertical Angle	0°	22.5°	45°	67.5°	90°	Zonal Lumens
0°	999	999	999	999	999	
5°	997	996	994	994	994	95
15°	942	941	937	93	931	266
25°	831	827	817	806	802	378
35°	692	685	670	654	648	421
45°	510	503	484	466	458	375
55°	378	373	355	338	333	319
65°	236	23	219	210	205	219
75°	118	116	111	105	103	117
85°	31	29	28	28	28	31
90°	0	0	0	0	0	0
95°	0	0	0	0	0	0
105°	0	0	0	0	0	0
115°	0	0	0	0	0	0
125°	0	0	0	0	0	0
135°	0	0	0	0	0	0
145°	0	0	0	0	0	0
155°	0	0	0	0	0	0
165°	0	0	0	0	0	0
175°	0	0	0	0	0	0
180°	0	0	0	0	0	0

## LUMEN SUMMARY

Zone	Lumens	% Lamp	% Fixt
0°-30°	738	25.5	33.3
0°-40°	1159	40.0	52.2
0°-60°	1853	63.9	83.5
0°-90°	2220	76.6	100
<b>Total Luminaire</b>	<b>2220</b>	<b>76.6</b>	<b>100</b>

## LUMINANCE DATA (CD/M<sup>2</sup>)

Vertical Angle	0°	45°	90°
45°	6091	5781	5470
55°	5566	5227	4903
65°	4716	7376	4097
75°	3850	3622	3361
85°	3004	2713	2713

## CO-EFFICIENTS OF UTILIZATION

Floor	80	70	20	30	10	00
Ceiling	80	70	50	50	10	00
Wall	70 50 30 10	70 50 10	50 10	50 10	50 10	00
RCR 0	91 91 91 91	89 89 89	85 85	81 81	78 78	77
1	85 81 78 76	82 80 75	76 72	73 70	71 68	67
2	78 72 68 64	76 71 63	68 62	66 60	64 59	58
3	72 65 59 55	70 64 54	61 53	59 53	58 52	50
4	66 58 52 47	65 57 47	55 46	54 46	52 45	44
5	61 52 46 41	59 51 41	49 40	48 40	47 39	38
6	56 47 40 36	55 46 36	45 35	44 35	42 35	33
7	52 42 35 32	51 42 32	41 31	40 31	39 31	29
8	48 38 32 8	47 38 28	37 27	36 27	35 27	26
9	45 35 28 24	43 34 24	33 24	32 24	32 24	22
10	41 31 26 22	40 31 22	30 21	30 21	29 21	20

Numbers indicate percentage values of reflectivity.

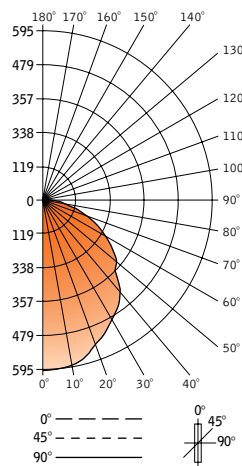
Go to [www.focalpointlights.com](http://www.focalpointlights.com) for additional photometric data.

# seem™ 4



Filename: FSM4FL1T5.IES  
 Catalog #: FSM4-FL-1T5-1C-120-S-G1-WH-4'  
 Efficiency: 56%  
 Test #: 15711.0

## CANDLEPOWER DISTRIBUTION



Spacing 1.2  
 Criterion: 1.2

Vertical Angle	0°	22.5°	45°	67.5°	90°	Zonal Lumens
0°	595	595	595	595	595	
5°	591	591	591	591	591	56
15°	568	568	568	568	568	161
25°	515	515	515	515	515	238
35°	455	455	455	455	455	286
45°	353	355	355	355	355	275
55°	288	288	288	290	290	259
65°	198	196	198	198	199	196
75°	108	109	109	109	109	115
85°	28	28	28	28	29	31
90°	0	0	0	0	0	0
95°	0	0	0	0	0	0
105°	0	0	0	0	0	0
115°	0	0	0	0	0	0
125°	0	0	0	0	0	0
135°	0	0	0	0	0	0
145°	0	0	0	0	0	0
155°	0	0	0	0	0	0
165°	0	0	0	0	0	0
175°	0	0	0	0	0	0
180°	0	0	0	0	0	0

## LUMEN SUMMARY

Zone	Lumens	% Lamp	% Fixt
0°-30°	456	15.7	28.2
0°-40°	742	25.6	45.9
0°-60°	1275	44.0	78.9
0°-90°	1617	55.8	100
<b>Total Luminaire</b>	<b>1617</b>	<b>55.8</b>	<b>100</b>

## LUMINANCE DATA (CD/M<sup>2</sup>)

Vertical Angle	0°	45°	90°
45°	4216	4240	4240
55°	4241	4241	4270
65°	3957	3957	3977
75°	3524	3557	3557
85°	2713	2713	2810

## CO-EFFICIENTS OF UTILIZATION

Floor	80	70	20	30	10	00
Ceiling	80	70	50	50	10	00
Wall	70 50 30 10	70 50 10	50 10	50 10	50 10	00
RCR 0	66 66 66 66	65 65 65	62 62	59 59	57 57	56
1	61 59 56 54	60 57 53	55 52	53 50	51 49	48
2	56 52 48 45	54 51 44	49 43	47 42	45 41	40
3	51 46 41 38	50 45 38	43 37	42 36	40 36	35
4	47 41 36 32	46 40 32	39 32	37 31	36 31	30
5	43 36 31 27	42 35 27	34 27	33 27	32 26	25
6	40 32 27 24	39 32 24	31 23	30 23	29 23	22
7	36 29 24 21	36 29 21	28 21	27 20	26 20	19
8	34 26 21 18	33 26 18	25 18	24 18	24 18	17
9	31 23 19 16	30 23 16	22 15	22 15	21 15	14
10	29 21 17 14	28 21 14	20 14	20 14	19 14	13

Numbers indicate percentage values of reflectivity.

Go to [www.focalpointlights.com](http://www.focalpointlights.com) for additional photometric data.

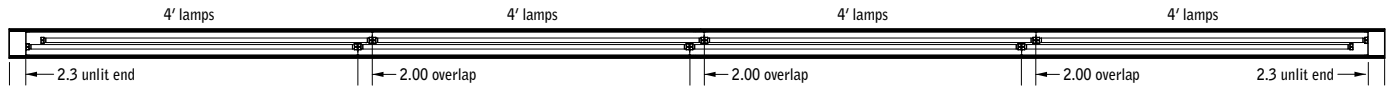


# seem® 4 & 6 run information

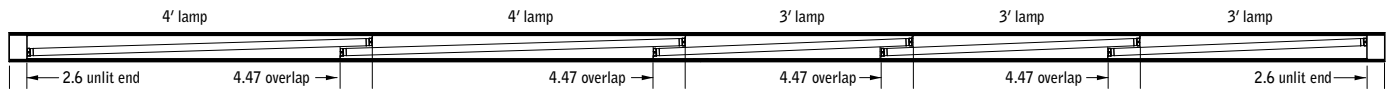
## EXAMPLE 16' run



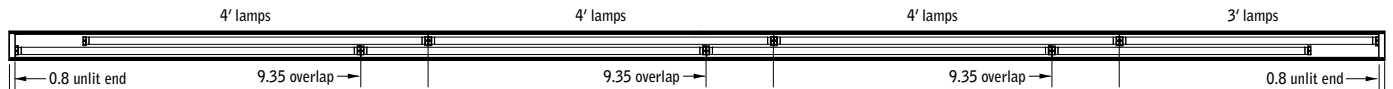
### 1-T5/T5H0



2-T5/T5H0 (may exhibit noticeable socket shadows)



### 1-T8



2-T8 (may exhibit noticeable socket shadows)

### notes:

- lamp overlap is consistent throughout run.
- unlit ends vary to provide even light throughout run.
- standard configurations listed, consult factory for additional options.

# seem® 4 & 6 run information

nominal run length (ft)	1-T5/T5H0 (4.35" overlap)			2-T5/T5H0 (2.00" overlap)			1-T8 (4.47" overlap)			2-T8 (9.35" overlap)		
	lamp quantity		unlit ends (in)	lamp quantity		unlit ends (in)	lamp quantity		unlit ends (in)	lamp quantity		unlit ends (in)
	3'	4'		3'	4'		3'	4'		3'	4'	
6	2		3.5	4		0.2	2		1.8	n/a	n/a	n/a
7	1	1	3.6	2	2	0.3	1	1	1.8	4		0.8
8	3		0.5		4	0.4		2	1.8	2	2	0.8
9	2	1	0.6	6		1.1	3		4.0		4	0.9
10	1	2	0.6	4	2	1.2	2	1	4.1	6		0.8
11		3	0.8	2	4	1.3	4		0.3	4	2	0.8
12	3	1	3.7		6	1.3	3	1	0.3	2	4	0.8
13	5		0.7	6	2	2.1	2	2	0.3		6	0.8
14	4	1	0.8	4	4	2.2	1	3	0.3	6	2	0.8
15	3	2	0.8	2	6	2.3		4	0.3	4	4	0.8
16	2	3	1.0		8	2.3	3	2	2.6	2	6	0.8
17	1	4	1.1	6	4	3.0	2	3	2.6		8	0.8
18		5	1.1	4	6	3.1	1	4	2.6	6	4	0.8
19	6	1	0.8	2	8	3.2	7		1.0	4	6	0.8
20	5	2	0.8		10	3.3	6	1	1.0	2	8	0.8
21	4	3	1.0	6	6	4.0	5	2	1.1		10	0.8
22	3	4	1.1	4	8	4.1	4	3	1.1	6	6	0.8
23	9		1.1	2	10	4.2	3	4	1.1	4	8	0.8
24	1	6	0.9		12	4.3	2	5	1.1	2	10	0.8
25	7	2	1.3	6	8	4.9	1	6	1.1		12	0.8
26	6	3	1.2	18		0.3		7	1.2	6	8	0.8
27	5	4	1.3	16	2	0.3	10		1.8	4	10	0.8
28	11		1.0	14	4	0.4	9	1	1.8	2	12	0.8
29	10	1	1.1	12	6	0.6	8	2	1.8		14	0.8
30	9	2	1.2	10	8	0.7	7	3	1.8	6	10	0.8
31	8	3	1.3		16	0.2	6	4	1.8	4	12	0.8
32	7	4	1.4	6	12	0.8	5	5	1.8	2	14	0.8
33	13		1.2	4	14	0.9	4	6	1.8		16	0.8
34	12	1	1.2	2	16	1.1	3	7	1.9	6	12	0.8
35	11	2	1.3		18	1.1	2	8	1.9	4	14	0.8
36	10	3	1.4	6	14	1.8	1	9	1.9	2	16	0.8
37	9	4	1.5	4	16	1.9	7	5	0.3		18	0.9
38	15		1.3	2	18	2.0	6	6	0.3	6	14	0.8
39	14	1	1.3		20	2.1	5	7	0.4	4	16	0.8
40	13	2	1.4	6	16	2.8	4	8	0.4	2	18	0.8
41	12	3	1.6	4	18	2.8	3	9	0.4		20	0.9
42	4	11	1.7	2	20	2.9	2	10	0.4	6	16	0.8
43	5	10	1.8		22	3.1	1	11	0.4	4	18	0.9
44	9	6	1.9	6	18	3.7		12	0.4	2	20	0.9
45	8	7	1.9	4	20	3.8	3	10	2.7		22	0.9
46	7	8	2.1	2	22	3.9	2	11	2.7	6	18	0.9
47	13	4	1.8		24	4.0	1	12	2.7	4	20	0.9
48	19		1.5	6	20	4.6	7	8	1.1	2	22	0.9