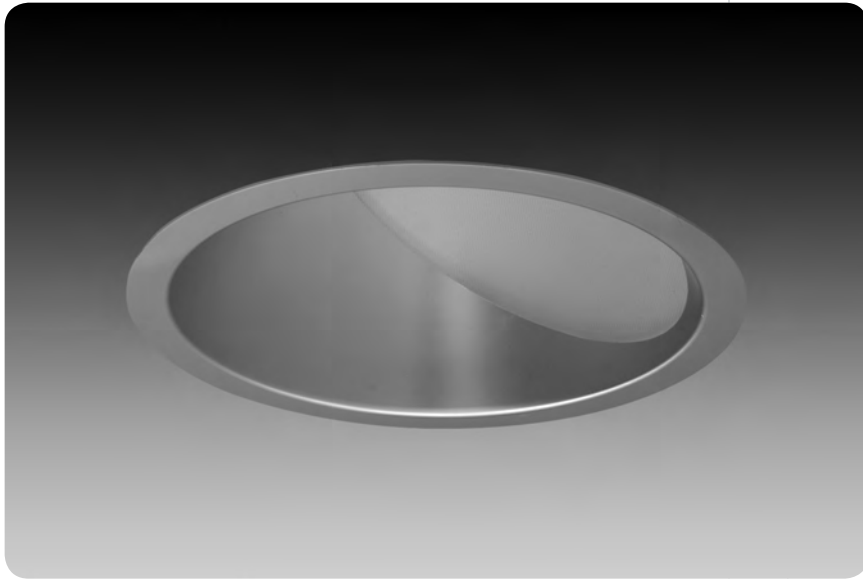


6" – wall wash  
id<sup>®</sup>



Patent Pending



features

Unique SmartShell™ optical design maximizes efficiency.

Tilted lamp position provides high-angle distribution.

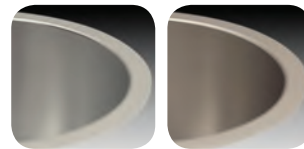
Self-flanged or painted trim provides a smooth transition to the ceiling.

Trim fits tightly to ceiling via torsion springs.

Accommodates ceilings up to 1" thick.

Diffuse reflectors offer glare control and 55-degree cut-off to lamp and its image.

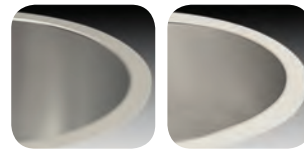
reflector colors



clear diffuse

warm diffuse

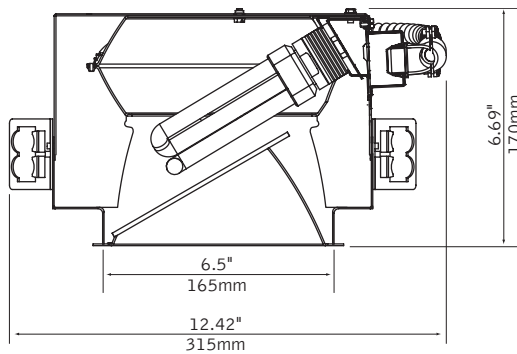
flange finish



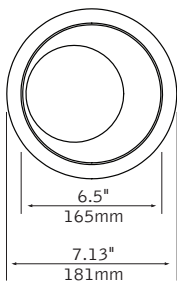
non-painted self-flanged

white painted

dimensional data

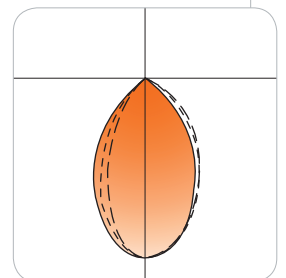


trim



performance

1-Lamp 32W Triple Tube  
Wall Wash Optic, Clear Diffuse  
35% Efficiency  
722 cd @ 0°

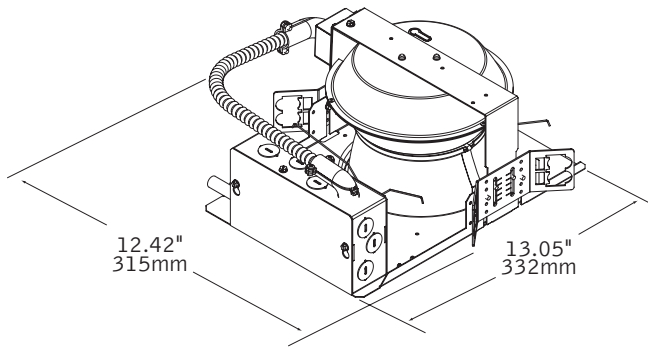


Visit [focalpointlights.com](http://focalpointlights.com) for complete photometric data.

fixture:

project:

### details



### specifications

#### housing

Frame may be installed into ceiling thicknesses up to 1". For thicker ceiling consult factory.  
 Butterfly brackets allow mounting to ½ emt. Order bar hangers as an accessory.  
 Galvanized steel frame includes large Junction box 7" x 3.5" with (10) 1/2" pry outs. UL listed for through branch wiring, four #12 90°C conductors.  
 Thermally protected housing for new construction applications without direct contact with insulation. Insulation to be kept 3" away from housing.

#### upper reflector

Upper reflector constructed of .05 spun aluminum. Keyhole slots on top of upper reflector allow reflector to shift to gain access to ballast from below ceiling.  
 Reflector finished in High Reflectance White powder coat.

#### trim

.05 spun aluminum parabolic reflector cone ensures glare-free optics.  
 Reflector provides 55-degree cut off to lamp and lamp image.  
 Trim attaches to housing via torsion springs.  
 Overlap trims are self-flanged, non-painted to match reflector finish. White painted flange may also be specified.  
 .125" thick micro-prismatic glass lens obscures lamp.

#### electrical

Luminaires are pre-wired for single circuit with thermally protected Class "P" program start <10% THD electronic ballast.  
 Consult factory for dimming specifications and availability.  
 UL Listed.  
 One lamp triple tube compact fluorescent, 4-pin, 26W/32W (Gx24q-3). Rotary lock socket allows for easy lamp removal and reduces lamp breakage.  
 Integral emergency battery test switch and indicator light in optic.

#### finish

Upper reflector finished in polyester powder coat over a 5-stage pre-treatment.

### housing ordering

<b>housing series</b>		<u>FC6W</u>
ID CFL Round Housing	FC6W	
<b>lamp</b>		
18W Triple Tube, Gx24q-2	18TT	
26W Triple Tube, Gx24q-3	26TT	
32W Triple Tube, Gx24q-3 (Osram, GE, Philips Only)	32TT	
<b>ballast</b>		
Electronic Program Start <10% THD	S	
Electronic Dimming Ballast*	D	
<b>voltage</b>		
120V	120	
277V	277	
347V	347	
<b>trim type</b>		<u>R0</u>
Round Overlap	R0	
<b>housing type</b>		<u>T</u>
Thermally Protected, Non-IC	T	
<b>factory options</b>		
Chicago Plenum	CP	
Emergency Battery Pack*	EM	
HLR/GLR Fuse	FU	
Include 3000K Lamp	L830	
Include 3500K Lamp	L835	
Include 4100K Lamp	L841	

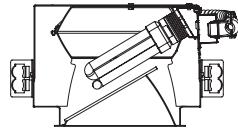
### trim ordering

<b>aperture</b>		<u>D6</u>
6" Round Aperture	D6	
<b>trim type</b>		<u>R0</u>
Round Overlap	R0	
<b>optic</b>		<u>WW</u>
Lensed Wall Wash	WW	
<b>color</b>		
Clear Diffuse	CD	
Warm Diffuse	WD	
<b>flange finish</b>		
Non-Painted, Self-flanged	NP	
White Painted	WP	

a complete unit consists of two line items, housing and trim  
 example: FC6W-26TT-S-120-R0-T  
 D6-R0-WW-CD-NP

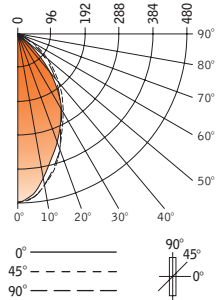
\* for more information see Reference section.

6" – wall wash  
id®



Filename: D6WWCD26TT.IES  
 Catalog #: FC6W-26TT-S-120-R0-T, D4-R0-WW-CD-NP  
 Efficiency: 28%  
 Photometric Report #: 15288.0

CANDLEPOWER DISTRIBUTION



Vertical Angle	Horizontal Angle				Zonal Lumens
	0°	22.5°	45°	67.5°	
0°	478	478	478	478	478
5°	467	469	468	464	460
15°	397	395	390	378	369
25°	299	302	285	289	286
35°	219	218	205	199	194
45°	141	130	121	102	78
55°	72	68	62	45	26
65°	41	39	32	20	10
75°	17	13	10	5	2
85°	1	0	0	0	0
90°	0	0	0	0	0

LUMEN SUMMARY

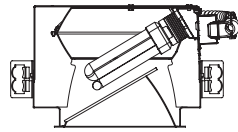
	Zone Lumens	% Lamp	% Fixt
0°-30°	276	15.4	54.9
0°-40°	386	21.5	76.7
0°-60°	481	26.7	95.6
0°-90°	503	28.0	100.0
<b>Total Luminaire</b>	<b>503</b>	<b>28.0</b>	<b>100.0</b>

CO-EFFICIENTS OF UTILIZATION

	Floor	Ceiling	Wall	RCR 0	1	2	3	4	5	6	7	8	9	10
80	80	80	80	33	32	30	28	26	25	22	22	21	19	18
70	70	70	70	33	31	29	28	26	24	22	21	20	19	17
50	50	50	50	33	31	29	28	26	24	22	21	20	19	17
30	30	30	30	33	31	29	28	26	24	22	21	20	19	17
10	10	10	10	33	31	29	28	26	24	22	21	20	19	17
00	00	00	00	33	31	29	28	26	24	22	21	20	19	17

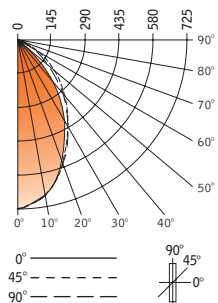
Go to [www.focalpointlights.com](http://www.focalpointlights.com) for additional photometric data.

6" – wall wash  
id®



Filename: D6WWCD32TT.IES  
 Catalog #: FC6W-32TT-S-120-R0-T, D4-R0-WW-CD-NP  
 Efficiency: 35%  
 Photometric Report #: 15289.0

CANDLEPOWER DISTRIBUTION



Vertical Angle	Horizontal Angle				Zonal Lumens
	0°	22.5°	45°	67.5°	
0°	722	722	722	722	722
5°	706	705	706	708	705
15°	630	634	633	631	618
25°	490	504	501	490	475
35°	369	372	372	351	327
45°	253	249	235	198	145
55°	154	141	120	79	44
65°	73	67	55	32	14
75°	25	25	15	8	1
85°	2	3	0	0	0
90°	0	0	0	0	0

LUMEN SUMMARY

	Zone Lumens	% Lamp	% Fixt
0°-30°	447	18.6	53.0
0°-40°	631	26.3	74.9
0°-60°	808	33.7	95.8
0°-90°	843	35.1	100.0
<b>Total Luminaire</b>	<b>843</b>	<b>35.1</b>	<b>100.0</b>

CO-EFFICIENTS OF UTILIZATION

	Floor	Ceiling	Wall	RCR 0	1	2	3	4	5	6	7	8	9	10
80	80	80	80	42	40	39	38	37	35	33	32	31	30	29
70	70	70	70	41	39	38	36	36	34	33	32	31	30	29
50	50	50	50	41	39	38	36	36	34	33	32	31	30	29
30	30	30	30	41	39	38	36	36	34	33	32	31	30	29
10	10	10	10	41	39	38	36	36	34	33	32	31	30	29
00	00	00	00	41	39	38	36	36	34	33	32	31	30	29

Go to [www.focalpointlights.com](http://www.focalpointlights.com) for additional photometric data.