

# 6" – downlight id<sup>®</sup>



Patent Pending



## features

Unique SmartShell™ optical design maximizes efficiency.

Shallow housing with horizontal lamping.

Self-flanged or painted trim provides a smooth transition to the ceiling.

Trim fits tightly to ceiling via torsion springs.

Accommodates ceilings up to 1" thick.

Diffuse reflectors offer glare control and 55-degree cut-off to lamp and its image.

## reflector colors



clear diffuse



warm diffuse

## flange finish

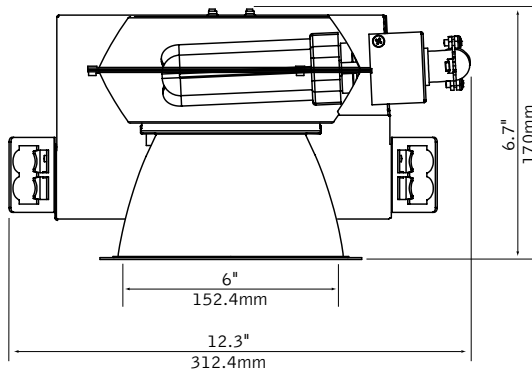


non-painted self-flanged

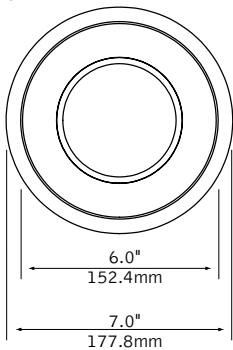


white painted

## dimensional data

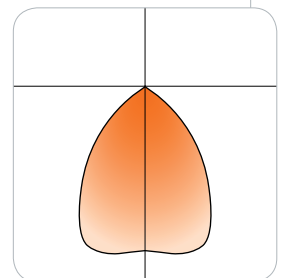


## trim



## performance

1-Lamp 32W Triple Tube  
Downlight Optic, Clear Diffuse  
58% Efficiency  
890 cd @ 15°

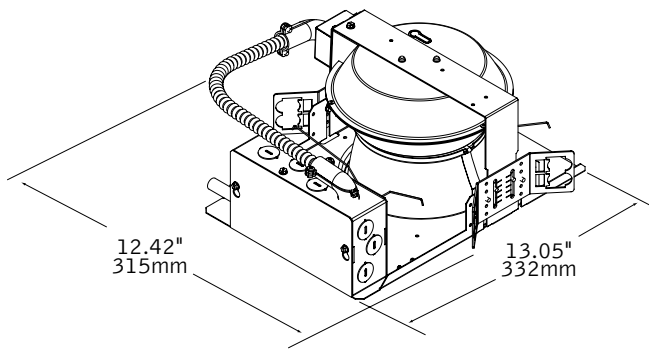


Visit [focalpointlights.com](http://focalpointlights.com) for complete photometric data.

fixture:

project:

### details



### specifications

#### housing

Frame may be installed into ceiling thicknesses up to 1". For thicker ceiling consult factory.

Butterfly brackets allow mounting to ½ emt. Order bar hangers as an accessory.

Galvanized steel frame includes large Junction box 7" x 3.5" with (10) 1/2" pry outs. UL listed for through branch wiring, four #12 90°C conductors.

Thermally protected housing for new construction applications without direct contact with insulation. Insulation to be kept 3" away from housing.

#### upper reflector

Upper reflector constructed of .05 spun aluminum. Keyhole slots on top of upper reflector allow reflector to shift to gain access to ballast from below ceiling.

Reflector finished in High Reflectance White powder coat.

Lamp tilted 5° for optimal thermal performance.

#### trim

.05 spun aluminum parabolic reflector cone ensures glare-free optics.

Reflector provides 55-degree cut off to lamp and lamp image.

Trim attaches to housing via torsion springs.

Overlap trims are self-flanged, non-painted to match reflector finish. White painted flange may also be specified.

Optional .125" thick micro-prismatic glass lens obscures lamp.

#### electrical

Luminaires are pre-wired for single circuit with thermally protected Class "P" program start <10% THD electronic ballast.

Consult factory for dimming specifications and availability.

UL Listed.

One lamp triple tube compact fluorescent, 4-pin, 26W/32W -(Gx24q-3), 42W (Gx24q-4). Rotary lock socket allows for easy lamp removal and reduces lamp breakage.

Integral emergency battery test switch and indicator light in optic.

#### finish

Upper reflector finished in polyester powder coat over a 5-stage pre-treatment.

### housing ordering

<b>housing series</b>		<u>FC6D</u>
ID CFL Round Housing	FC6D	
<b>lamp</b>		
18W Triple Tube, GX24q-2	18TT	
26W Triple Tube, Gx24q-3	26TT	
32W Triple Tube, Gx24q-3	32TT	
42W Triple Tube, GX24q-4 (Osram, GE, Philips Only)	42TT	
<b>ballast</b>		
Electronic Program Start <10% THD	S	
Electronic Dimming Ballast*	D	
<b>voltage</b>		
120V	120	
277V	277	
347V	347	
<b>trim type</b>		<u>R0</u>
Round Overlap	R0	
<b>housing type</b>		<u>T</u>
Thermally Protected, Non-IC	T	
<b>factory options</b>		
Chicago Plenum	CP	
Emergency Battery Pack*	EM	
HLR/GLR Fuse	FU	
Include 3000K Lamp	L830	
Include 3500K Lamp	L835	
Include 4100K Lamp	L841	

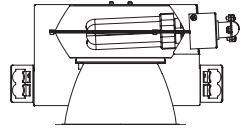
### trim ordering

<b>aperture</b>		<u>D6</u>
6" Round Aperture	D6	
<b>trim type</b>		<u>R0</u>
Round Overlap	R0	
<b>optic</b>		
Downlight	DN	
Regress Lens	RL	
<b>color</b>		
Clear Diffuse	CD	
Warm Diffuse	WD	
<b>flange finish</b>		
Non-Painted, Self-flanged	NP	
White Painted	WP	

a complete unit consists of two line items, housing and trim  
example: FC6D-26TT-S-120-R0-T  
D6-R0-DN-CD-NP

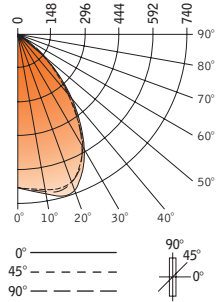
\* for more information see Reference section.

6" – downlight  
id®



Filename: D6DNCD26TT.IES  
Catalog #: FC6D-26TT-S-120-R0-T, D6-R0-DN-CD-NP  
Efficiency: 61%  
Photometric Report #: 15283.0

CANDLEPOWER DISTRIBUTION



Vertical Angle	Horizontal Angle				Zonal Lumens
	0°	22.5°	45°	67.5°	
0°	676	676	676	676	676
5°	686	685	687	691	696
15°	707	716	718	735	740
25°	654	662	646	657	667
35°	442	451	462	460	474
45°	240	241	240	239	243
55°	53	50	52	60	49
65°	7	7	7	7	7
75°	1	1	1	2	2
85°	0	0	0	0	0
90°	0	0	0	0	0

Spacing Criteria  
End: 1.2  
Cross: 1.2

LUMEN SUMMARY

Zone	Lumens	% Lamp	% Fixt
0°-30°	575	31.9	52.0
0°-40°	862	47.9	78.1
0°-60°	1096	60.9	99.2
0°-90°	1104	61.4	100.0
<b>Total Luminaire</b>	<b>1104</b>	<b>61.4</b>	<b>100.0</b>

LUMINANCE DATA (CD/M²)

Vertical Angle	0°	45°	90°
45°	14502	14502	14683
55°	3948	3873	3650
65°	708	708	708
75°	165	165	330
85°	0	0	0

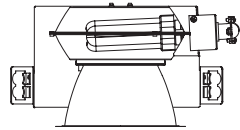
CO-EFFICIENTS OF UTILIZATION

Floor	80			70			20					
Ceiling	80			70			50					
Wall	70	50	30	10	70	50	10	50	10	30	10	00
RCR 0	73	73	73	73	71	71	71	68	68	65	65	63
1	69	68	66	64	68	66	63	64	62	61	60	59
2	66	62	60	58	64	61	57	59	56	58	54	56
3	62	58	54	52	61	57	51	55	51	54	50	52
4	58	53	49	47	57	52	46	51	46	50	44	49
5	55	49	45	42	54	48	42	47	42	46	41	45
6	51	45	41	38	50	45	38	44	38	43	38	42
7	48	42	38	35	47	41	35	41	34	40	34	39
8	45	38	34	31	44	38	31	37	31	36	31	36
9	42	35	31	28	41	35	28	34	28	33	28	33
10	39	32	28	25	38	32	25	31	25	31	25	30

Numbers indicate percentage values of reflectivity.

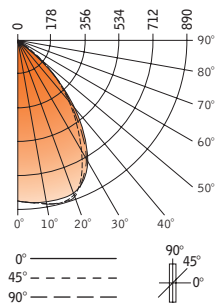
Go to [www.focalpointlights.com](http://www.focalpointlights.com) for additional photometric data.

6" – downlight  
id®



Filename: D6DNCD32TT.IES  
Catalog #: FC6D-32TT-S-120-R0-T, D6-R0-DN-CD-NP  
Efficiency: 58%  
Photometric Report #: 15233.0

CANDLEPOWER DISTRIBUTION



Vertical Angle	Horizontal Angle				Zonal Lumens
	0°	22.5°	45°	67.5°	
0°	848	848	848	848	848
5°	858	855	857	860	861
15°	885	890	886	870	865
25°	788	788	803	820	819
35°	538	577	587	604	600
45°	308	317	319	320	321
55°	73	74	79	77	76
65°	9	9	9	9	9
75°	3	2	2	2	2
85°	1	0	1	1	1
90°	0	0	0	0	0

Spacing Criteria  
End: 1.2  
Cross: 1.2

LUMEN SUMMARY

Zone	Lumens	% Lamp	% Fixt
0°-30°	703	29.9	50.4
0°-40°	1070	44.6	76.6
0°-60°	1385	57.7	99.1
0°-90°	1397	58.2	100.0
<b>Total Luminaire</b>	<b>1397</b>	<b>58.2</b>	<b>100.0</b>

LUMINANCE DATA (CD/M²)

Vertical Angle	0°	45°	90°
45°	14502	14502	14683
55°	3948	3873	3650
65°	708	708	708
75°	165	165	330
85°	0	0	0

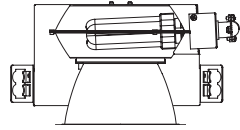
CO-EFFICIENTS OF UTILIZATION

Floor	80			70			20					
Ceiling	80			70			50					
Wall	70	50	30	10	70	50	10	50	10	30	10	00
RCR 0	73	73	73	73	71	71	71	68	68	65	65	63
1	69	68	66	64	68	66	63	64	62	61	60	59
2	66	62	60	58	64	61	57	59	56	58	54	56
3	62	58	54	52	61	57	51	55	51	54	50	52
4	58	53	49	47	57	52	46	51	46	50	44	49
5	55	49	45	42	54	48	42	47	42	46	41	45
6	51	45	41	38	50	45	38	44	38	43	38	42
7	48	42	38	35	47	41	35	41	34	40	34	39
8	45	38	34	31	44	38	31	37	31	36	31	36
9	42	35	31	28	41	35	28	34	28	33	28	33
10	39	32	28	25	38	32	25	31	25	31	25	30

Numbers indicate percentage values of reflectivity.

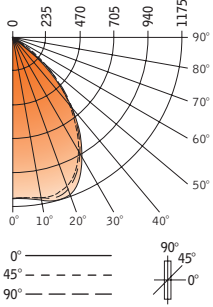
Go to [www.focalpointlights.com](http://www.focalpointlights.com) for additional photometric data.

6" – downlight  
id®



Filename: D6DNCD42TT.IES  
 Catalog #: FC6D-42TT-S-120-R0-T, D6-R0-DN-CD-NP  
 Efficiency: 58%  
 Photometric Report #: 15285.0

CANDLEPOWER DISTRIBUTION



Vertical Angle	Horizontal Angle					Zonal Lumens
	0°	22.5°	45°	67.5°	90°	
0°	1117	1117	1117	1117	1117	
5°	1124	1119	1114	1115	1115	107
15°	1126	1123	1153	1168	1173	326
25°	1022	1026	1036	1063	1074	483
35°	746	767	774	805	797	490
45°	430	445	437	449	445	342
55°	94	90	109	100	106	90
65°	10	11	11	11	12	11
75°	3	3	3	3	3	3
85°	0	0	0	0	0	0
90°	0	0	0	0	0	0

Spacing Criteria  
 End: 1.2  
 Cross: 1.2

LUMEN SUMMARY

Zone	Lumens	% Lamp	% Fixt
0°-30°	915	28.6	49.4
0°-40°	1405	43.9	75.9
0°-60°	1837	57.4	99.2
0°-90°	1851	57.8	100.0
<b>Total Luminaire</b>	<b>1851</b>	<b>57.8</b>	<b>100.0</b>

LUMINANCE DATA (CD/M<sup>2</sup>)

Vertical Angle	0°	45°	90°
0°	25982	26405	26888
45°	7002	8119	7896
65°	1011	1112	1213
75°	495	495	495
85°	0	0	0

CO-EFFICIENTS OF UTILIZATION

	Floor				Ceiling				Wall				
	80	70	50	20	80	70	50	20	80	70	50	20	
RCR 0	69	69	69	69	67	67	67	64	64	62	62	59	58
1	65	64	62	61	64	62	60	60	58	58	56	56	53
2	62	59	56	54	60	58	53	56	52	54	51	52	49
3	58	54	51	48	57	53	48	52	47	50	47	49	45
4	55	50	46	44	54	49	43	48	43	47	42	46	41
5	51	46	42	39	50	45	39	44	39	43	38	42	37
6	48	42	38	36	47	42	35	41	35	40	35	39	34
7	45	39	35	32	44	38	32	38	32	37	32	36	31
8	42	35	31	29	41	35	29	34	28	34	28	33	27
9	39	32	28	26	38	32	25	31	25	31	25	30	24
10	36	29	26	23	35	29	23	29	23	28	23	28	22

Numbers indicate percentage values of reflectivity.

Go to [www.focalpointlights.com](http://www.focalpointlights.com) for additional photometric data.