

mr16  
avenue® b



features

Narrow 3" slot, T5/T5H0 fluorescent with 2-MR16 halogen lamps (50w max).

Shielding options include corrugated, solid regressed trim, louver as well as flush lens.

Avenue® B with MR16 is a great solution for general illumination that also requires the benefits of accent lighting in a narrow aperture.

shielding options



corrugated regress trim

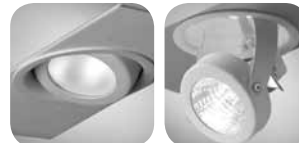
solid regress trim

louver



flush lens

mr16 options



flush mount mr16 (25° adjustment)

extended yoke mr16 (90° adjustment)



snoot

hex louver

linear

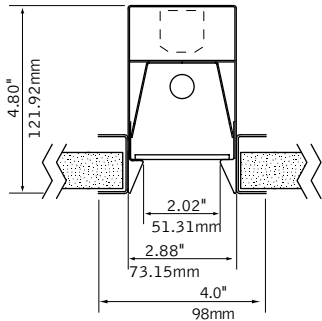
prismatic

sand blasted

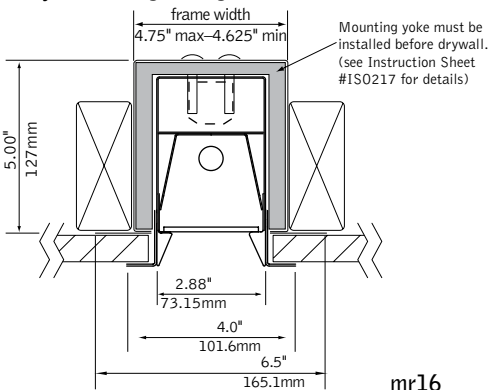
soft focus

dimensional data

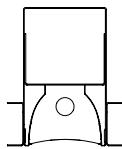
Grid Mount (Regress Trim Shown)



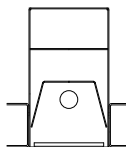
Drywall Flange (Regress Trim Shown)



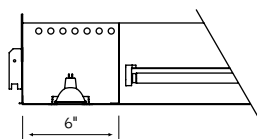
Louver



Flush Lens

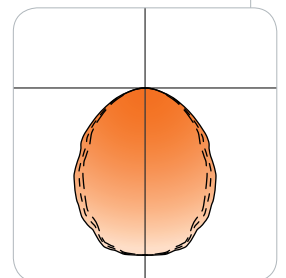


mr16



performance

Flush lens  
1-Lamp T5H0  
61% Efficiency  
1339 cd @ 5°



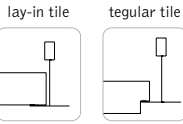
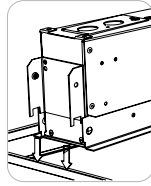
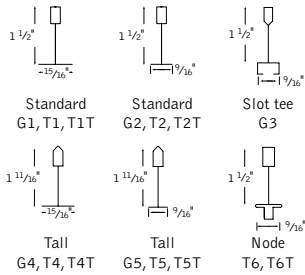
Visit focalpointlights.com for complete photometric data.

fixture:

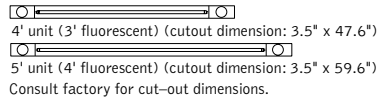
project:

### mounting information

#### grid



#### drywall



### specifications

#### construction

One-piece 20 Ga. steel housing.  
 20 Ga., steel MR16 housing and faceplate.  
 Two-piece, 20 Ga. spun steel MR16 assembly available in flush mount or with extended yoke. Extended yoke does not retract.  
 Corrugated and solid regress trim constructed of 6063-T5 extruded aluminum finished in Matte Satin White.  
 Grid luminaires include 20 Ga. steel, .5" wide flange rail finished in matte satin white.  
 Drywall flange option is provided with 20 Ga. steel, .5" wide flange kit and 20 Ga. galvanized steel mounting yoke.

- 4' unit weight: 7 lbs.
- 5' unit weight: 10 lbs.

#### optic

22 Ga. steel reflectors finished in High Reflectance White powder coat.  
 Frosted Acrylic lens diffuser .118" thick.  
 Clear Acrylic MicroGlow™ diffuser .125" thick with miniature prismatic pattern.  
 Concave parabolic louver: 1"H x 1" frequency fabricated of low iridescent, semi-specular premium grade aluminum.  
 MR16 lens: .125" thick tempered clear glass supplied.

#### electrical

Luminaires are individually wired for specified circuits.  
 Thru-wiring not available.  
 Electronic ballasts are thermally protected and have a Class "P" rating.  
 Electronic 12V, MR16 dimming transformer, 50w max.  
 Optional dimming ballasts available.  
 Consult factory for dimming specifications and availability.  
 Thermal protector included.  
 UL listed for non-insulated ceiling applications only.

#### finish

Polyester powder coat applied over a 5-stage pre-treatment.  
 MR16 gimbal finished to match housing.

### ordering

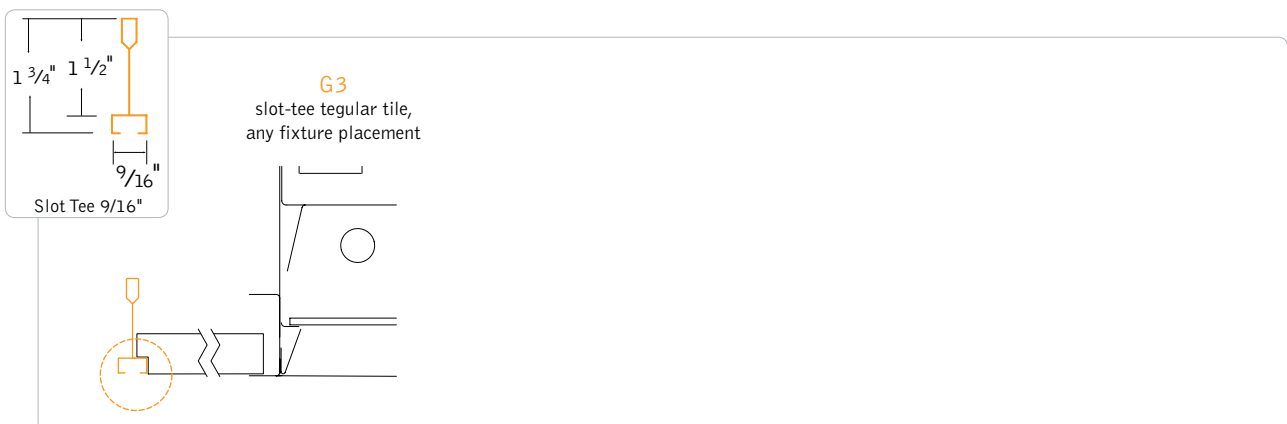
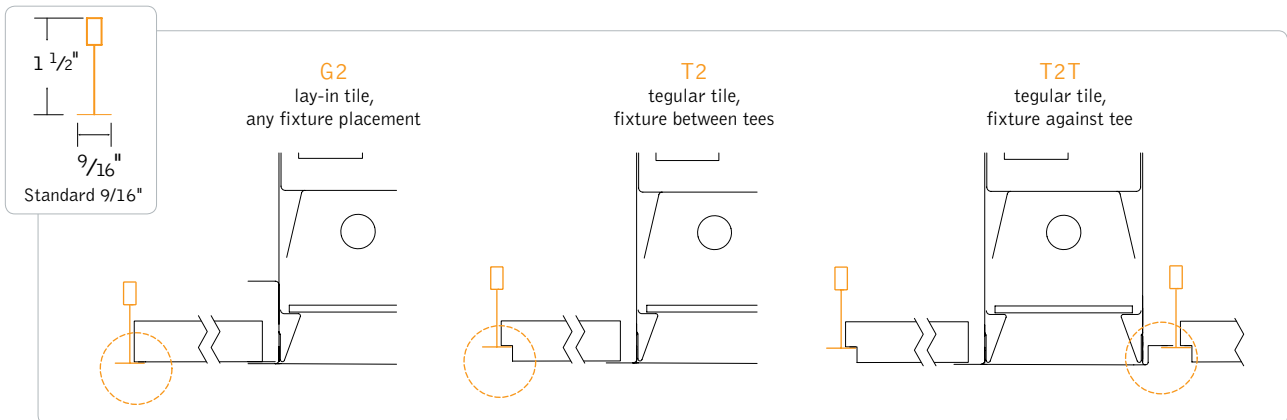
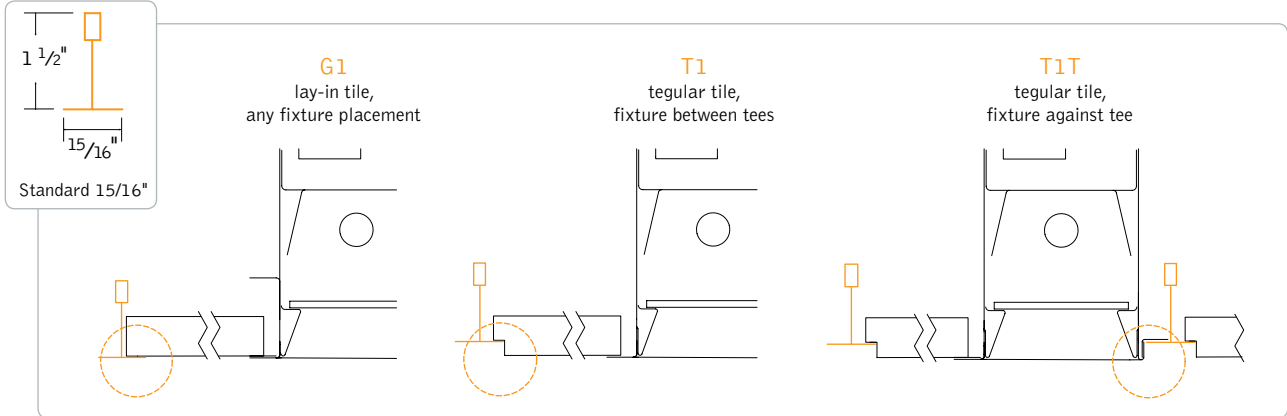
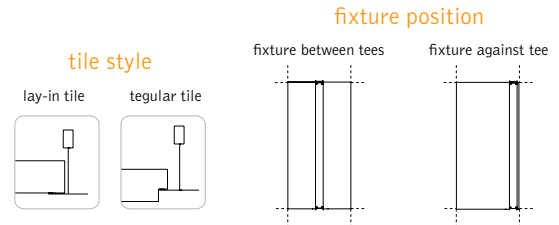
luminaire series	FAVB
Avenue B	FAVB
<b>shielding</b>	
Corrugated Regressed Trim Frst.Lns	CR
Solid Regressed Trim Frosted Lens	SR
Concave Parabolic Louver	PL
Flush Frosted Lens	FL
Corrugated Regressed Trim with MicroGlow™ Lens	CRM
Solid Regressed Trim with MicroGlow™ Lens	SRM
Flush MicroGlow™ Lens	FLM
White Concave Parabolic Louver	PW
<b>lampping</b>	
(MR16 lamps provided by others)	
One Lamp T5	1T5
One Lamp T5H0	1T5H0
<b>circuits</b>	
Dual Circuit (fluor. switched separately from incand.)	2C
<b>voltage</b>	
120 Volt	120
277 Volt	277
<b>ballast</b>	
Electronic Program Start <10% THD	S
Electronic Dimming Ballast*	D
<b>ceiling configurations*</b>	
Drywall Flange	F
Std. 15/16" Lay-in	G1
Std. 15/16" Tegular	T1
Std. 15/16" Tegular, against Tee	T1T
Std. 9/16" Lay-in	G2
Std. 9/16" Tegular	T2
Std. 9/16" Tegular, against Tee	T2T
9/16" Slot-tee Tegular	G3
Tall 15/16" Lay-in	G4
Tall 15/16" Tegular	T4
Tall 15/16" Tegular, against Tee	T4T
Tall 9/16" Lay-in	G5
Tall 9/16" Tegular	T5
Tall 9/16" Tegular, against Tee	T5T
Node 9/16" Tegular	T6
Node 9/16" Tegular, against Tee	T6T
<b>factory options</b>	
Chicago Plenum	CP
Emergency Battery Pack*	EM
Earthquake Clips	EQ
Flex Whip*	FW
HLR/GLR Fuse	FU
Include 3000K Lamp*	L830
Include 3500K Lamp*	L835
Include 4100K Lamp*	L841
Wattage Restriction Label (xx= wattage)	WRXX
Lutron™ Sensor Feed* (EcoSystem ballast required)	SF
<b>mr16 (50W max.)</b>	
lamp qty. & gimbal type (Clear lens supplied)	
Flush Mount	2FM
Extended Yoke Gimbal	2EG
<b>mr16 options</b>	
Snoot	SN
Hex louver	HL
Linear Spread Lens	LSL
Prismatic Spread Lens	PSL
Sand Blasted Lens	SBL
Soft Focus Lens	SFL
<b>finish</b>	
Matte White Housing	WH
Matte Black Housing	BK
Titanium Silver	TS
<b>luminaire length</b>	
4' Nominal Housing (3' fluor. lamp)	4'
5' Nominal Housing (4' fluor. lamp)	5'

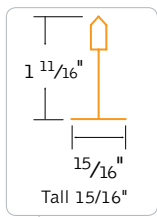
\* for more information see Reference section.



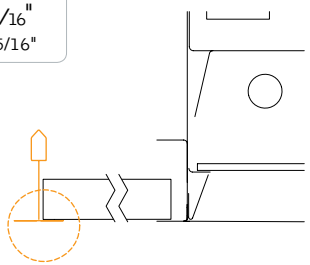
# avenue b grid ceiling configurations

Avenue B is configured at our factory to integrate easily with your specified grid type, tile style and fixture position. Please review the below options and choose the mounting code that matches your application.

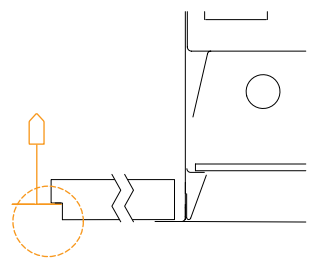




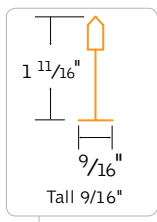
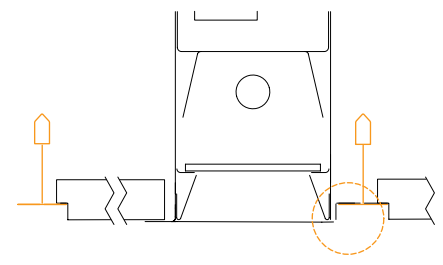
**G4**  
lay-in tile,  
any fixture placement



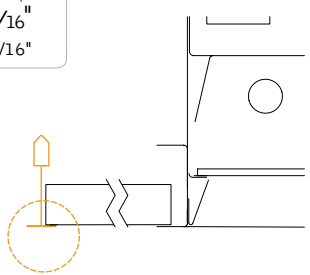
**T4**  
tegular tile,  
fixture between tees



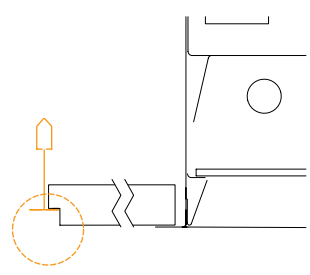
**T4T**  
tegular tile,  
fixture against tee



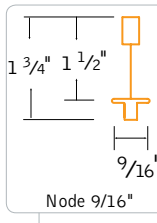
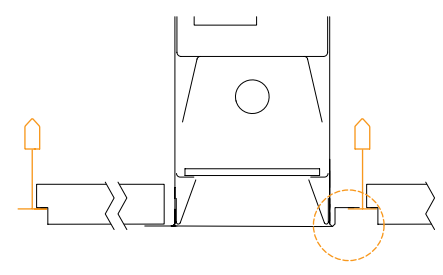
**G5**  
lay-in tile,  
any fixture placement



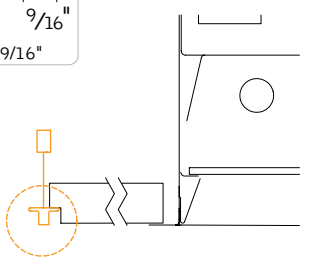
**T5**  
tegular tile,  
fixture between tees



**T5T**  
tegular tile,  
fixture against tee



**T6**  
tegular tile,  
fixture between tees



**T6T**  
tegular tile,  
fixture against tee

